



STAINLESS STEEL HINGED DOOR STYLE ENCLOSED BASE WORK TABLES



Flat Top



1 1/2" Backsplash



5" Backsplash

FEATURES:

FLAT TOP is furnished with a 1 5/8" sanitary rolled rim on the front and 1 5/8" square bend edges on the 2 sides and rear.

1 1/2" SPLASH is furnished with a 1 5/8" sanitary rolled rim on the front side and 1 5/8" square bend edges on the 2 sides and a 1 1/2" splash of single metal thickness on the rear side.

5" SPLASH is furnished with a 1 5/8" sanitary rolled rim on the front side and 1 5/8" square bend edges on the 2 sides and a 5" splash with a 1" return on the rear side.

HINGED DOORS are constructed as double panel doors with recessed inner panels for extra rigidity.

CONSTRUCTION:

All TIG welded. Exposed areas finished to match adjacent surfaces.

Entire Top is mechanically polished to a satin finish and is sound deadened.

Hat section secured to Top reinforces and maintains level working surface.

UNIT-BODY DESIGN sides, back and shelf are welded to form a single rigid structure.

Gussets welded to support hat sections.

MATERIAL:

TOP is 14 gauge stainless steel type "304" series with galvanized understructure.

BODY is 18 gauge stainless steel type "430" series.

LEGS are 1 5/8" diameter tubular stainless steel with stainless steel gussets and 1" adjustable stainless steel bullet feet.

Item #: _____ Qty #: _____

Model #: _____

Project #: _____

24" WIDE

| Length | FLAT TOP | 1 1/2" SPLASH | 5" SPLASH | Wt. |
|--------|------------|---------------|------------|----------|
| 36" | HB-SS-243 | HF-SS-243 | HK-SS-243 | 230 lbs. |
| 48" | HB-SS-244 | HF-SS-244 | HK-SS-244 | 270 lbs. |
| 60" | HB-SS-245 | HF-SS-245 | HK-SS-245 | 310 lbs. |
| 72" | HB-SS-246 | HF-SS-246 | HK-SS-246 | 355 lbs. |
| 84" | HB-SS-247 | HF-SS-247 | HK-SS-247 | 395 lbs. |
| 96" | HB-SS-248 | HF-SS-248 | HK-SS-248 | 445 lbs. |
| 108" | HB-SS-249 | HF-SS-249 | HK-SS-249 | 495 lbs. |
| 120" | HB-SS-2410 | HF-SS-2410 | HK-SS-2410 | 535 lbs. |
| 144" | HB-SS-2412 | HF-SS-2412 | HK-SS-2412 | 615 lbs. |

30" WIDE

| Length | FLAT TOP | 1 1/2" SPLASH | 5" SPLASH | Wt. |
|--------|------------|---------------|------------|----------|
| 36" | HB-SS-303 | HF-SS-303 | HK-SS-303 | 260 lbs. |
| 48" | HB-SS-304 | HF-SS-304 | HK-SS-304 | 295 lbs. |
| 60" | HB-SS-305 | HF-SS-305 | HK-SS-305 | 335 lbs. |
| 72" | HB-SS-306 | HF-SS-306 | HK-SS-306 | 375 lbs. |
| 84" | HB-SS-307 | HF-SS-307 | HK-SS-307 | 415 lbs. |
| 96" | HB-SS-308 | HF-SS-308 | HK-SS-308 | 460 lbs. |
| 108" | HB-SS-309 | HF-SS-309 | HK-SS-309 | 505 lbs. |
| 120" | HB-SS-3010 | HF-SS-3010 | HK-SS-3010 | 550 lbs. |
| 144" | HB-SS-3012 | HF-SS-3012 | HK-SS-3012 | 635 lbs. |

36" WIDE

| Length | FLAT TOP | 1 1/2" SPLASH | 5" SPLASH | Wt. |
|--------|------------|---------------|------------|----------|
| 36" | HB-SS-363 | HF-SS-363 | HK-SS-363 | 290 lbs. |
| 48" | HB-SS-364 | HF-SS-364 | HK-SS-364 | 330 lbs. |
| 60" | HB-SS-365 | HF-SS-365 | HK-SS-365 | 370 lbs. |
| 72" | HB-SS-366 | HF-SS-366 | HK-SS-366 | 415 lbs. |
| 84" | HB-SS-367 | HF-SS-367 | HK-SS-367 | 455 lbs. |
| 96" | HB-SS-368 | HF-SS-368 | HK-SS-368 | 500 lbs. |
| 108" | HB-SS-369 | HF-SS-369 | HK-SS-369 | 555 lbs. |
| 120" | HB-SS-3610 | HF-SS-3610 | HK-SS-3610 | 615 lbs. |
| 144" | HB-SS-3612 | HF-SS-3612 | HK-SS-3612 | 685 lbs. |

Mid Shelves Are Available.

To Add a Mid Shelf, Add "M" After each Model Number.



NEW YORK
(800) 645-3166
Fax: (631) 242-6900

GEORGIA
(800) 832-1218
Fax: (770) 775-5625

TEXAS
(800) 527-0353
Fax: (972) 932-4795

NEVADA
(800) 446-8684
Fax: (775) 972-1578

For Assistance with
Smart Modifications & Accessories Call:

1-800-498-6634 Fax: 631-586-2933
smartfab@advancetabco.com

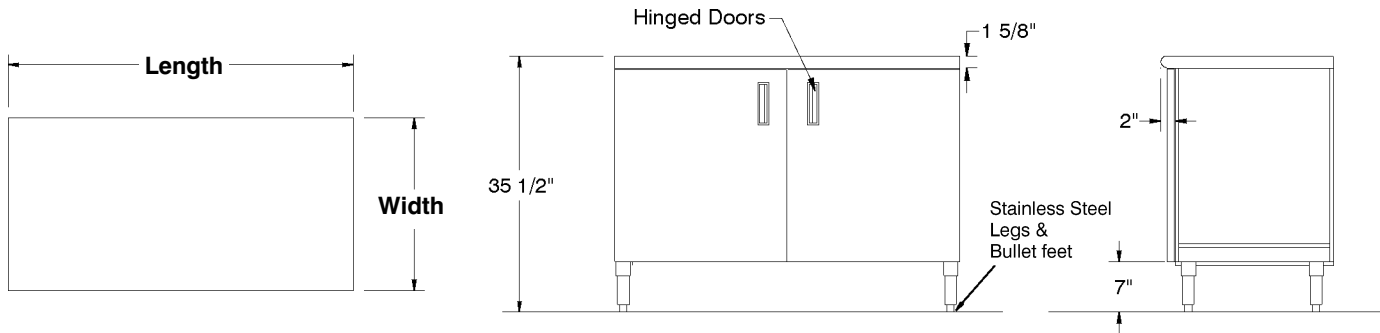
DETAILS and SPECIFICATIONS

TOL \pm .500"

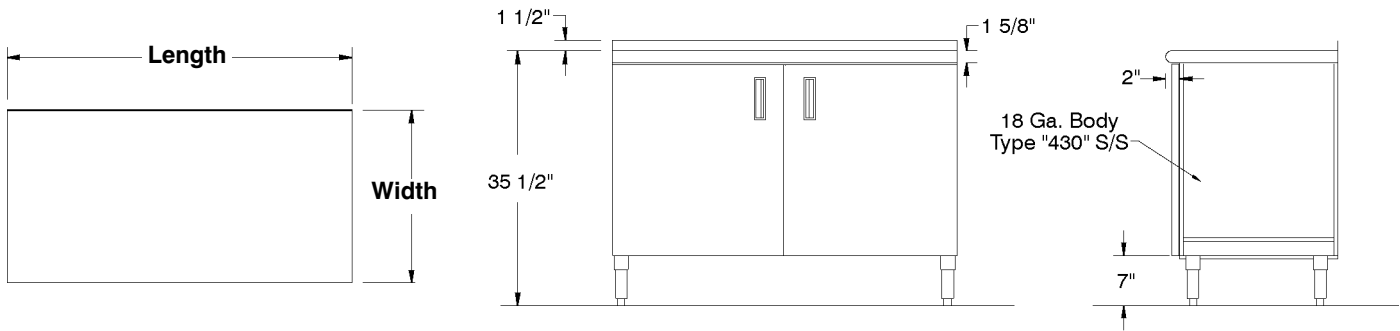
Units 7' and larger are furnished with 6 legs.

ALL DIMENSIONS ARE TYPICAL

HB-Series Flat Top



HF-Series 1 1/2" Rear Splash



HK-Series 5" Rear Splash

