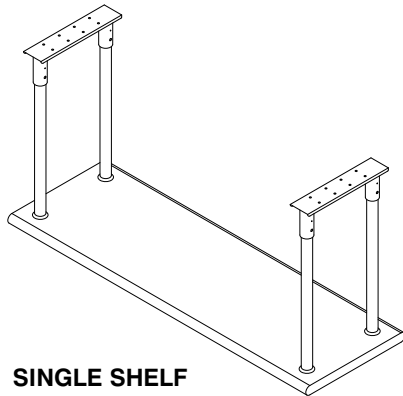
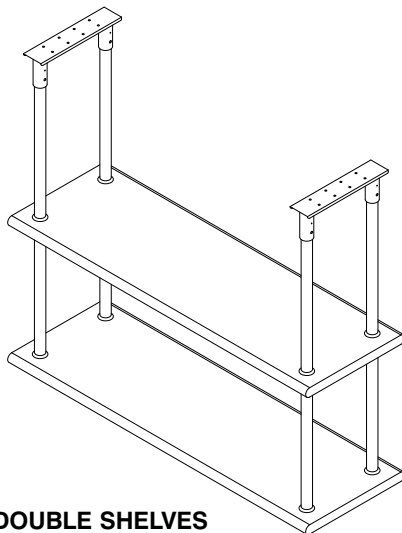




STAINLESS STEEL
**CEILING MOUNTED
 SHELVING**



SINGLE SHELF



DOUBLE SHELVES

Item #: _____ **Qty #:** _____
Model #: _____
Project #: _____

FEATURES:

18" wide fully adjustable shelving.
 Shipped KD.
 Load Capacity is 5 lbs. per sq. ft. (Evenly Distributed).

CONSTRUCTION:

All TIG welded.
 Exposed surfaces polished to a satin finish.

MATERIAL:

All Shelves are 18 gauge type "430" stainless steel.
 1 5/8" stainless steel tubular support posts.

CUSTOMER MUST PROVIDE PRINT

SINGLE SHELF	Wt.	DOUBLE SHELVES	Wt.	Width	(L) Length
CM-18-36	24 lbs.	DCM-18-36	55 lbs.	18"	36"
CM-18-48	29 lbs.	DCM-18-48	60 lbs.	18"	48"
CM-18-60	35 lbs.	DCM-18-60	66 lbs.	18"	60"
CM-18-72	40 lbs.	DCM-18-72	72 lbs.	18"	72"

Custom Sizes are Available.
Contact Our SMART FABRICATION™ Department.
800-498-6634

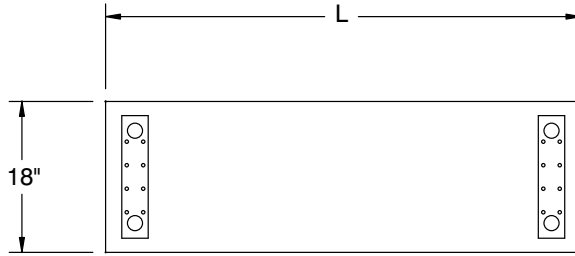
<p>www.advancetabco.com</p>	<p>NEW YORK (800) 645-3166 Fax: (631) 242-6900</p>	<p>GEORGIA (800) 832-1218 Fax: (770) 775-5625</p>	<p>TEXAS (800) 527-0353 Fax: (972) 932-4795</p>	<p>NEVADA (800) 446-8684 Fax: (775) 972-1578</p>
	<p>For Assistance with Smart Modifications & Accessories Call: 1-800-498-6634 Fax: 631-586-2933 smartfab@advancetabco.com</p>			

DETAILS and SPECIFICATIONS

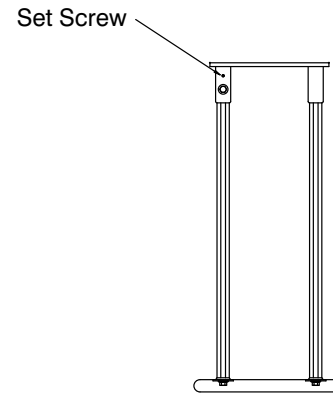
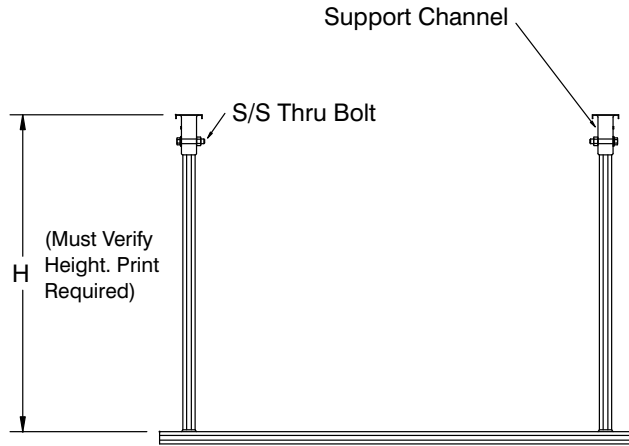
TOL ± .500"

ALL DIMENSIONS ARE TYPICAL

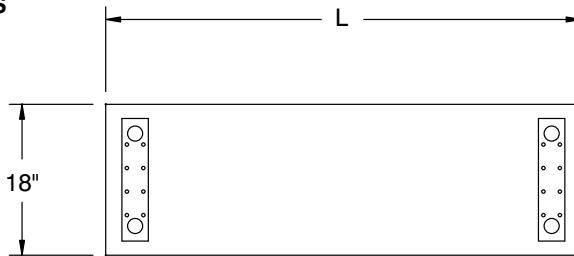
SINGLE SHELF



CUSTOMER MUST PROVIDE PRINT



DOUBLE SHELVES



CUSTOMER MUST PROVIDE PRINT

