



ALUMINUM DUNNAGE RACKS



Item #: _____ **Qty #:** _____
Model #: _____
Project #: _____

12" HEIGHT

MODEL #	Width	Length	No. of Legs	Wt. Cap.	Wt.
DUN-2036	20"	36"	4	1500 lbs.	10 lbs.
DUN-2048	20"	48"	4	1800 lbs.	12 lbs.
DUN-2060	20"	60"	6	2000 lbs.	16 lbs.
DUN-2436	24"	36"	4	1500 lbs.	11 lbs.
DUN-2448	24"	48"	4	1800 lbs.	13 lbs.
DUN-2460	24"	60"	6	2000 lbs.	17 lbs.

FEATURES:

Heavy duty welded construction.

1" square tubing.

CONSTRUCTION:

Fully welded 1" square tubing ladder assembly.

Angles are 1" x 1 1/2" x 24"

MATERIAL:

6063-T52 extruded aluminum angles, upright tubing, and support pieces.

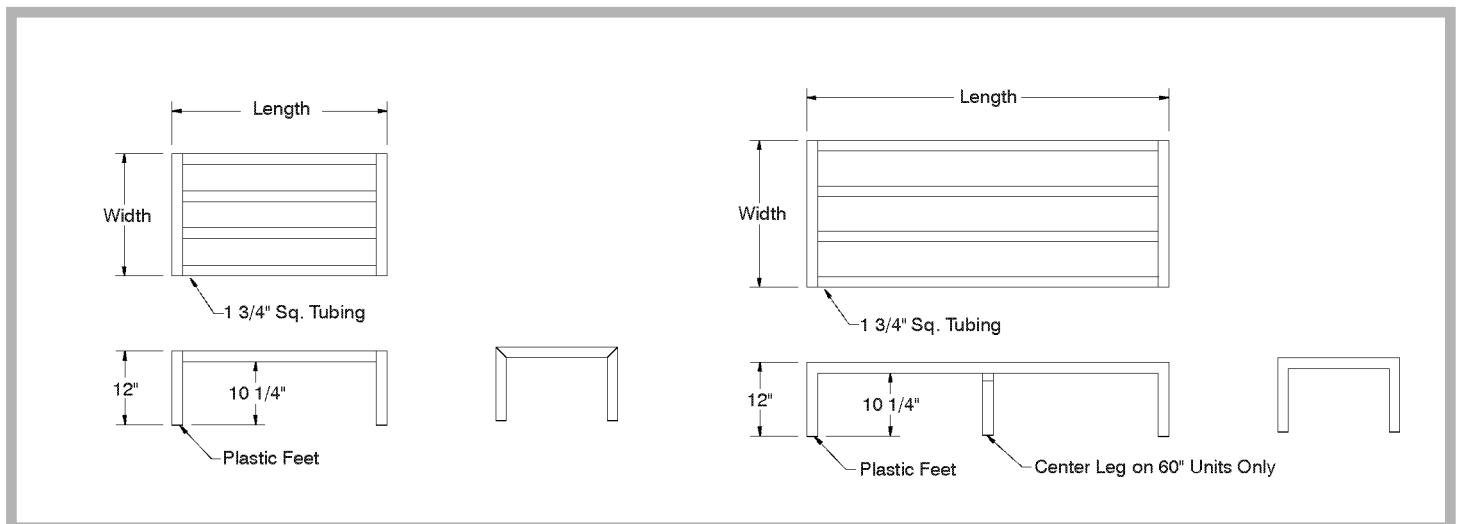
8" HEIGHT

MODEL #	Width	Length	No. of Legs	Wt. Cap.	Wt.
DUN-2036-8	20"	36"	4	1500 lbs.	10 lbs.
DUN-2048-8	20"	48"	4	1800 lbs.	12 lbs.
DUN-2060-8	20"	60"	6	2000 lbs.	15 lbs.
DUN-2436-8	24"	36"	4	1500 lbs.	11 lbs.
DUN-2448-8	24"	48"	4	1800 lbs.	13 lbs.
DUN-2460-8	24"	60"	6	2000 lbs.	17 lbs.

DIMENSIONS and SPECIFICATIONS

TOL ± .500"

ALL DIMENSIONS ARE TYPICAL



NEW YORK
 (800) 645-3166
 Fax: (631) 242-6900

GEORGIA
 (800) 832-1218
 Fax: (770) 775-5625

TEXAS
 (800) 527-0353
 Fax: (972) 932-4795

NEVADA
 (800) 446-8684
 Fax: (775) 972-1578

For Assistance with Smart Modifications & Accessories Call: 1-800-498-6634 Fax: 631-586-2933
 smartfab@advancetabco.com