

Prestige 24 Series

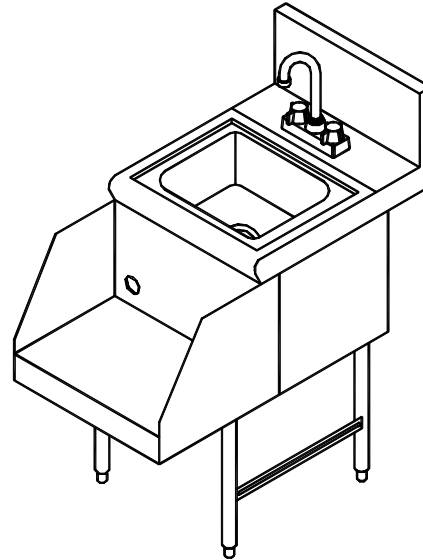
Spec Sheet No. PR-37

Job Name _____

Item No. _____

Service Units Standard Features

- All stainless steel structure from top to bottom.
- Mirrored front molding on all units.
- All units are undercoated for sound deadening.
- Will match speed rail profile for that "Flush Look".
- Electrical receptacle provided underneath blender shelf for safety and convenience.



◦ PRRS-24-16

Blender/Recess with
Dump Sink

Specifications

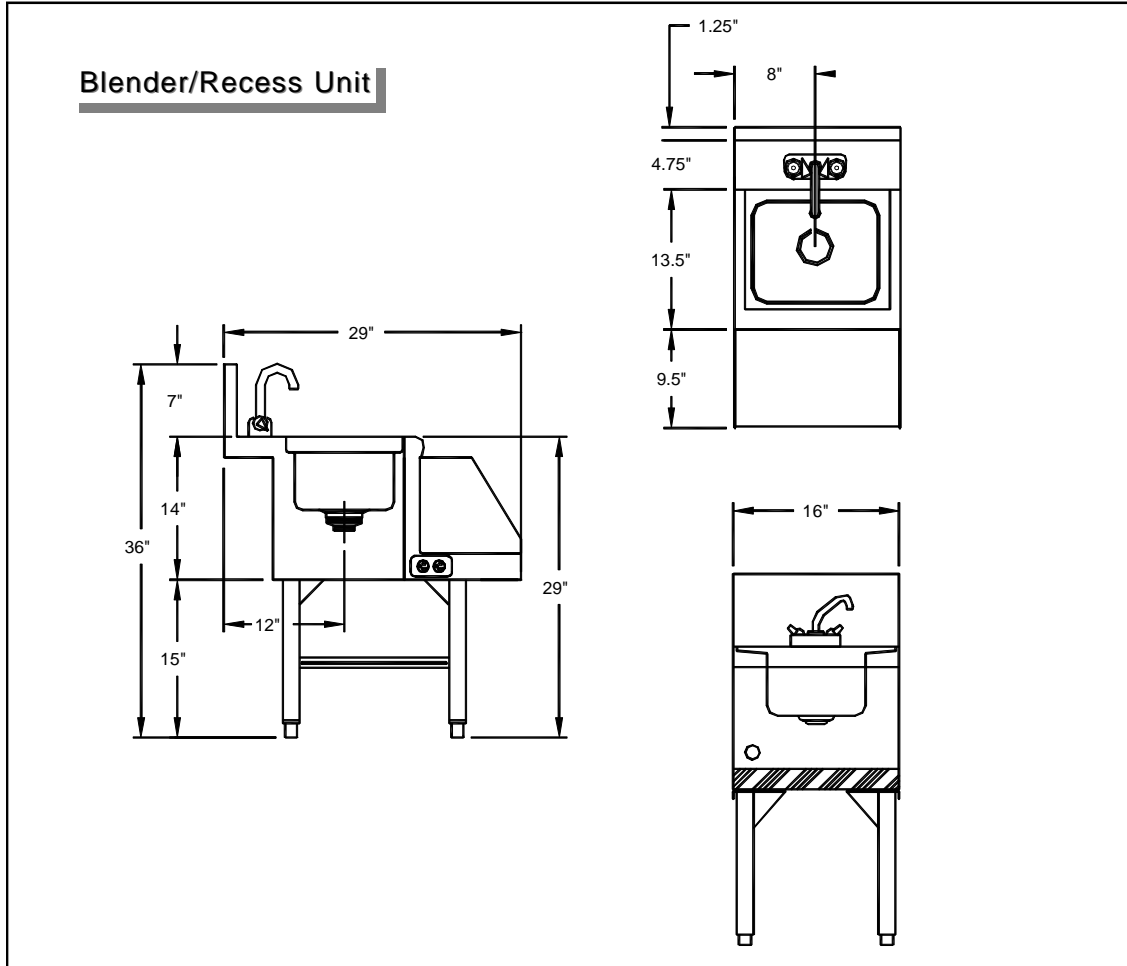
- **Shelf:** 20 gauge 300 series stainless steel.
- **Sink Bowl:** 9-1/2" x 11-1/2" x 6" bowl, 20 gauge 300 series stainless steel, seamless deep drawn.
- **Blender Shelf Sides:** 14 gauge 300 series stainless steel.
- **Body Sides:** 20 gauge 300 series stainless steel.
- **Backsplash:** 20 gauge 300 series stainless steel.
- **Plumbing:** 3-1/2" basket drain with 1/2" I.P.S. drain.
- **Legs:** 14 gauge 300 series stainless steel mounting bracket with 1-5/8" O.D. 18 gauge 300 series stainless steel & 1" adjustable stainless steel bullet feet.
- **Faucet:** 4" on center deck mount with goose neck spout. (1/2 NPT - Male)
- **Electrical:** 15 Amp - 120 volt duplex receptacle underneath blender shelf.



Supreme Metal

Toll Free: 800-645-2526
www.suprememetal.com

Prestige 24 Series



Model Number	Overall Length	Packaged Weight	Cubic Feet
PRRS-24-16	16"	30 Lbs.	4

SupremeMetal is constantly engaged in a program of improving their products. We reserve the right to change our specifications without prior notice.