

Prestige 19 Series

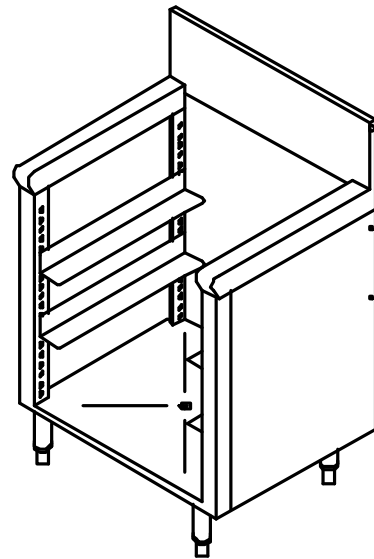
Spec Sheet No. PR-22

Job Name _____

Item No. _____

Open Top Glass Rack Standard Features

- All stainless steel structure from top to bottom.
- Mirrored front molding on all units.



◦ PROR-19-24

Open Top Glass Rack

Specifications

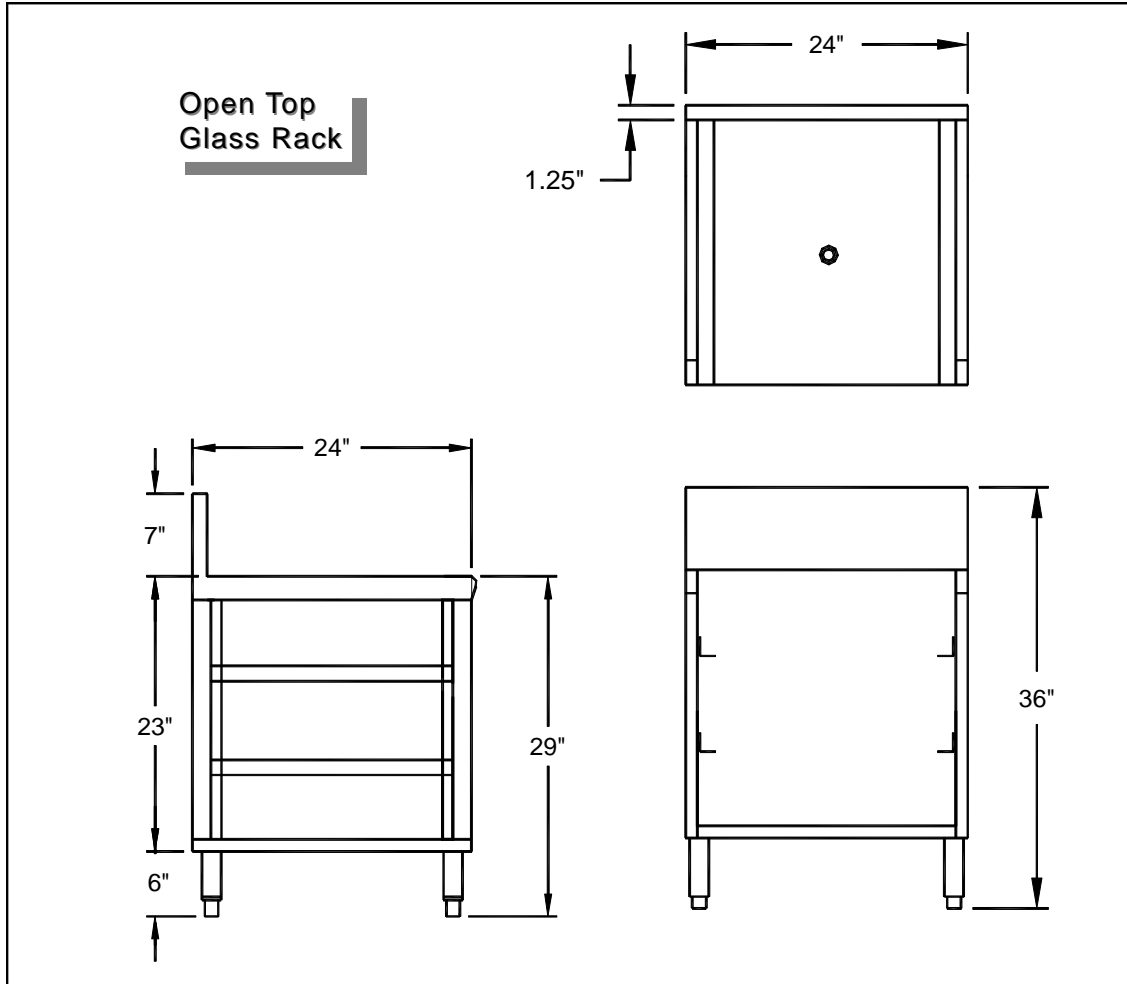
- **Shelves:** 18 gauge 300 series stainless steel adjustable.
- **Bottom:** 20 gauge 300 series stainless steel pitched with center drain.
- **Cabinet:** 20 gauge 300 series stainless steel.
- **Plumbing:** 1" I.P.S. drain.
- **Backsplash:** 20 gauge 300 series stainless steel.
- **Legs:** 14 gauge 300 series stainless steel mounting bracket with 1-5/8" O.D. 18 gauge 300 series stainless steel & 1" adjustable stainless steel bullet feet.



Supreme Metal

Toll Free: 800-645-2526
www.suprememetal.com

Prestige 19 Series



Model Number	Overall Length	No. of Racks	Rack Spacing	Packaged Weight	Cubic Feet
PROR-19-24	24"	3	Adjustable	50 Lbs.	11

SupremeMetal is constantly engaged in a program of improving their products. We reserve the right to change our specifications without prior notice.