



STAINLESS STEEL
**REGALINE
 KORNER SINKS**

NEW Tile Edge Design



Item #: _____ *Qty #:* _____
Model #: _____
Project #: _____

All units furnished with 2 integral drainboards



**Poly-Vance Cutting Board
 included as standard on
 ALL KORNER SINKS**

FEATURES:

- Tile edge for ease of installation.
- One piece **Deep Drawn** sink bowls with integral drainboards with splash.
- Featuring the single bowl unit design.
- All sink bowls have a large liberal 3" radius.
- Placement of the welded leg assembly ensures stability and furnishes direct support of the column load requirement for the entire sink unit.

CONSTRUCTION:

- All TIG welded.
- Welded areas blended to match adjacent surfaces and to a satin finish.
- Gussets welded to a die-embossed reinforcing channel.

MATERIAL:

- Unit is heavy gauge type "304" stainless steel.
- Legs are 1 5/8" diameter heavy gauge tubular stainless steel with stainless steel gussets.
- 1" adjustable stainless steel bullet feet.

YES! It's SeaLess!

MODEL #	# of Comp.	Foot Print (Size)
94-K2-24D	3	71" x 71"
94-K4-24D	3	79" x 79"
94-K5-18D	4	79 1/2" x 61"
94-K6-18D	3	61" x 61"
94-K8-30D	3	85" x 85"
94-K3-11D*	3	54" x 54"

ACCESSORIES	Model #	Qty
FAUCETS		

All Units Require 2 Sets of Faucets



NEW YORK
 (800) 645-3166
 Fax: (631) 242-6900

GEORGIA
 (800) 832-1218
 Fax: (770) 775-5625

TEXAS
 (800) 527-0353
 Fax: (972) 932-4795

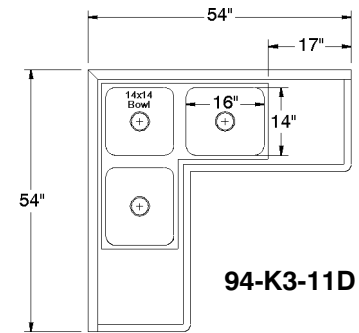
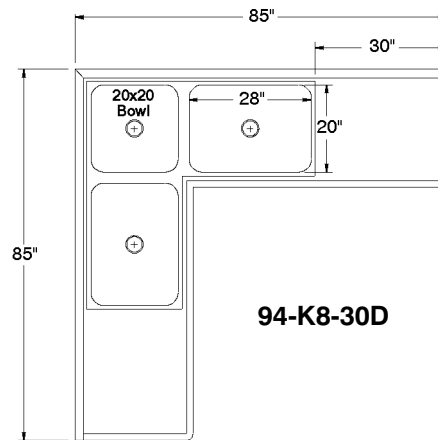
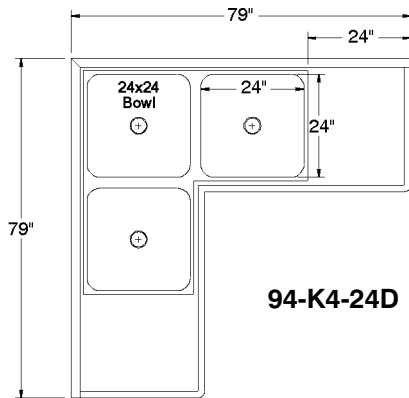
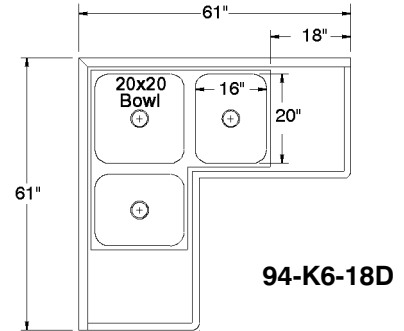
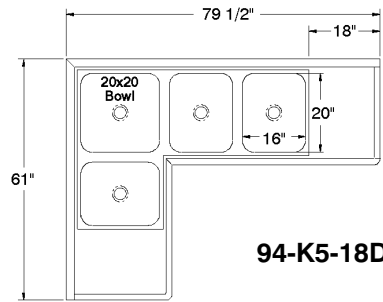
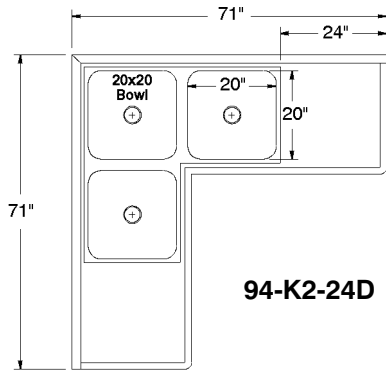
NEVADA
 (800) 446-8684
 Fax: (775) 972-1578

For Assistance with Smart Modifications & Accessories Call: **1-800-498-6634** Fax: 631-586-2933
 smartfab@advancetabco.com

DIMENSIONS and SPECIFICATIONS

TOL Overall: ± .500"
Interior: ± .250"

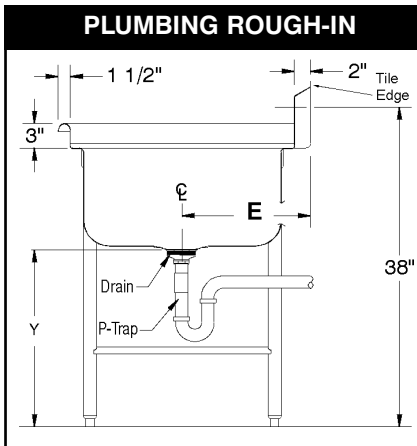
ALL DIMENSIONS ARE TYPICAL



MECHANICAL:

- Supply is 1/2" IPS hot & cold.
- Faucet holes on 8" centers.
- Faucets are not included (see accessories).
- Waste drains are 1 1/2" IPS S/S basket type, located in center of sink bowl, and are included.

All Units are Equipped with Poly-Vance Cutting Board



Model #	A	B	C	D	E	Y
94-K2-24D	15"	12"	27"	20"	13 5/8"	22"
94-K4-24D	15"	12"	31"	24"	15 5/8"	22"
94-K5-18D	15"	12"	27"	20"	13 5/8"	22"
94-K6-18D	15"	12"	27"	20"	13 5/8"	22"
94-K8-30D	15"	12"	27"	20"	13 5/8"	22"
94-K3-11D	15"	12"	21"	14"	10 5/8"	22"

