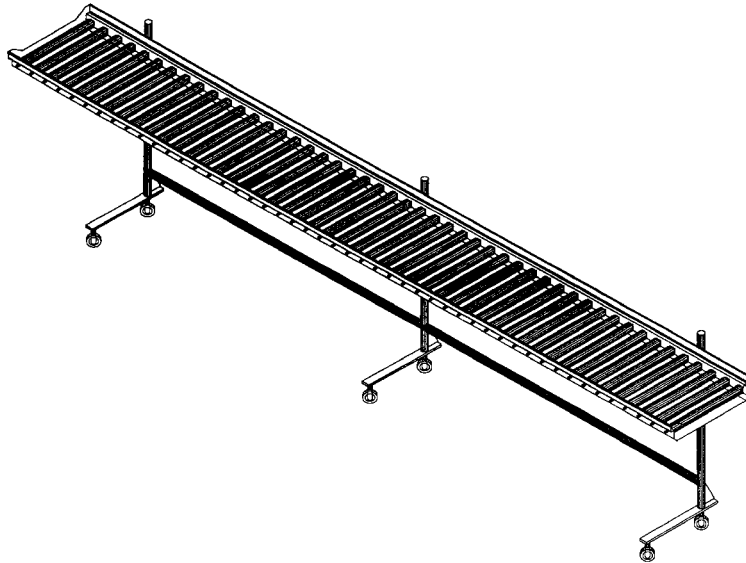


## CANTILEVER CONVEYORS



### Item Numbers

#### Cantilever Conveyors

- DXIESRC4
- DXIESRC5
- DXIESRC7
- DXIESRC8

### Application

The straight-line cantilever conveyor is designed for tray make-up operations. The cantilever conveyor will help streamline tray assembly for any healthcare or catering operation.

This mobile unit is designed for easy cleaning and long life. Please consult factory for specific questions.

### Construction

The cantilever conveyor consists of a standard conveyor pan and standard roller assemblies. The cantilever conveyor uprights are made of 1.625" (4cm) diameter 16-gauge stainless steel tube.

Two uprights are required for a conveyor up to 6' in length, three uprights are required for conveyors over 6' long.

Uprights have 1.25" (3cm) 18-gauge stainless steel crossrails welded between for support and each upright has a 12-gauge stainless steel fully welded gusset for support.

Pan support consists of a 14-gauge stainless steel tube that slides over upright making an adjustable conveyor height.

Casters are 3"(8cm) diameter swivel plate-type (2 of 4 or 3 of 6 have brakes).

### Standard Features

- 3" (8cm) diameter casters
- Adjustable height
- S/S upright
- S/S frame

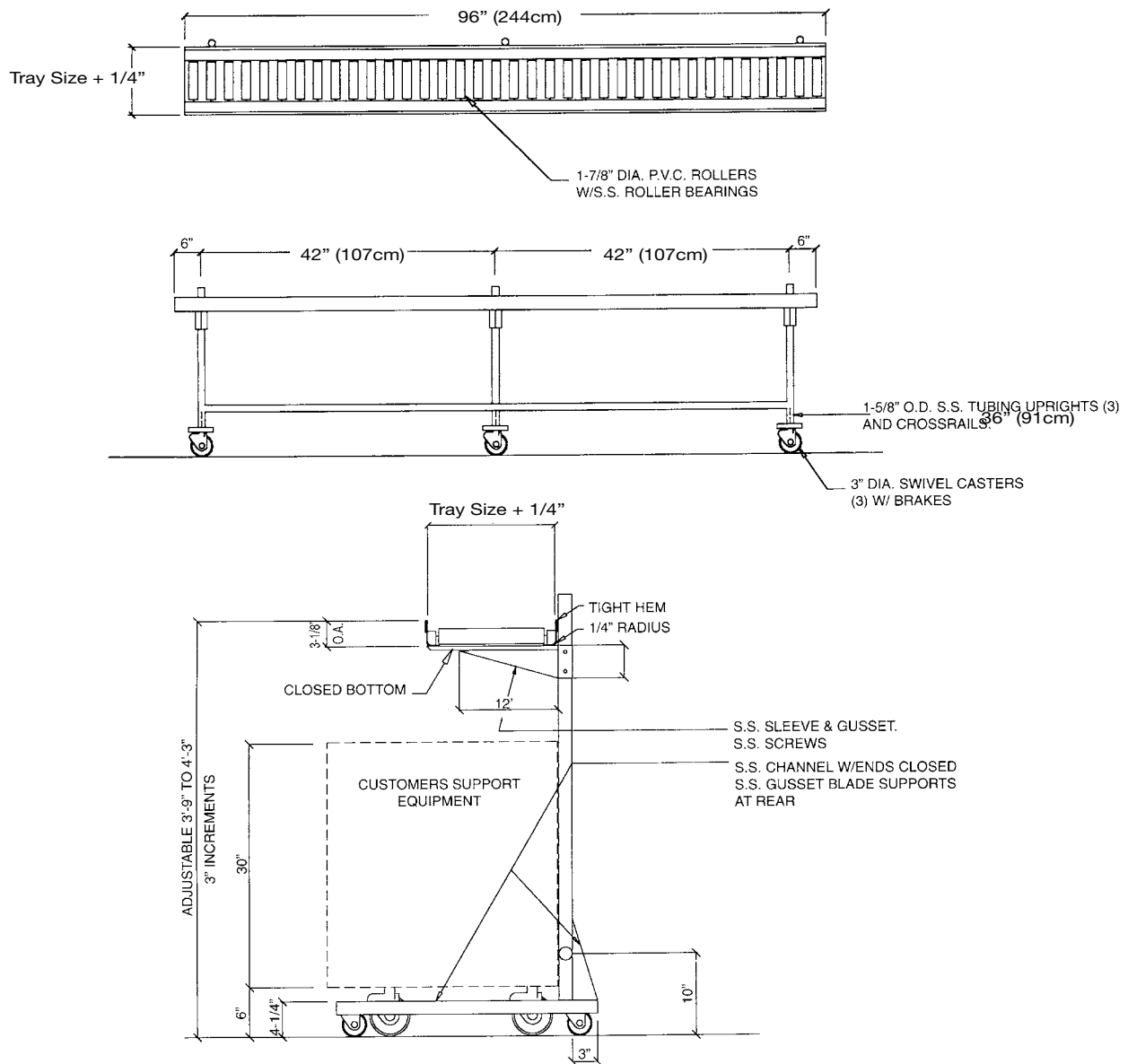
### Options

- Removable sections
- Field joint

### Warranty

One year parts and labor.

# CANTILEVER CONVEYORS



## Items and Dimensions

ITEM NUMBER	MODEL NUMBER	SIZE	SHIP WEIGHT
DXISERC4	ISERC4	4 ft. (1.2 meter) section	90 lb. (41kg)
DXISERC5	ISERC5	5 ft. (1.5 meter) section	110 lb. (50kg)
DXISERC6	ISERC6	6 ft. (1.8 meter) section	130 lb. (59kg)
DXISERC7	ISERC7	7 ft. (2.1 meter) section	150 lb. (68kg)
DXISERC8	ISERC8	8 ft. (2.4 meter) section	170 lb. (77kg)



Please confirm that you have the most current specification sheet by visiting [www.dinex.com](http://www.dinex.com).  
Dinex® reserves the right to change specifications and product design without notice.  
Such revisions do not entitle the buyer to corresponding changes, improvements,  
additions or replacements for previously purchased equipment.

Printed in USA

# DINEX®

Building 2, Suite 106  
628 Hebron Avenue  
Glastonbury, CT 06033  
800.523.9752 Fax: 860.652.3135  
[www.dinex.com](http://www.dinex.com)

050-REV 10/09