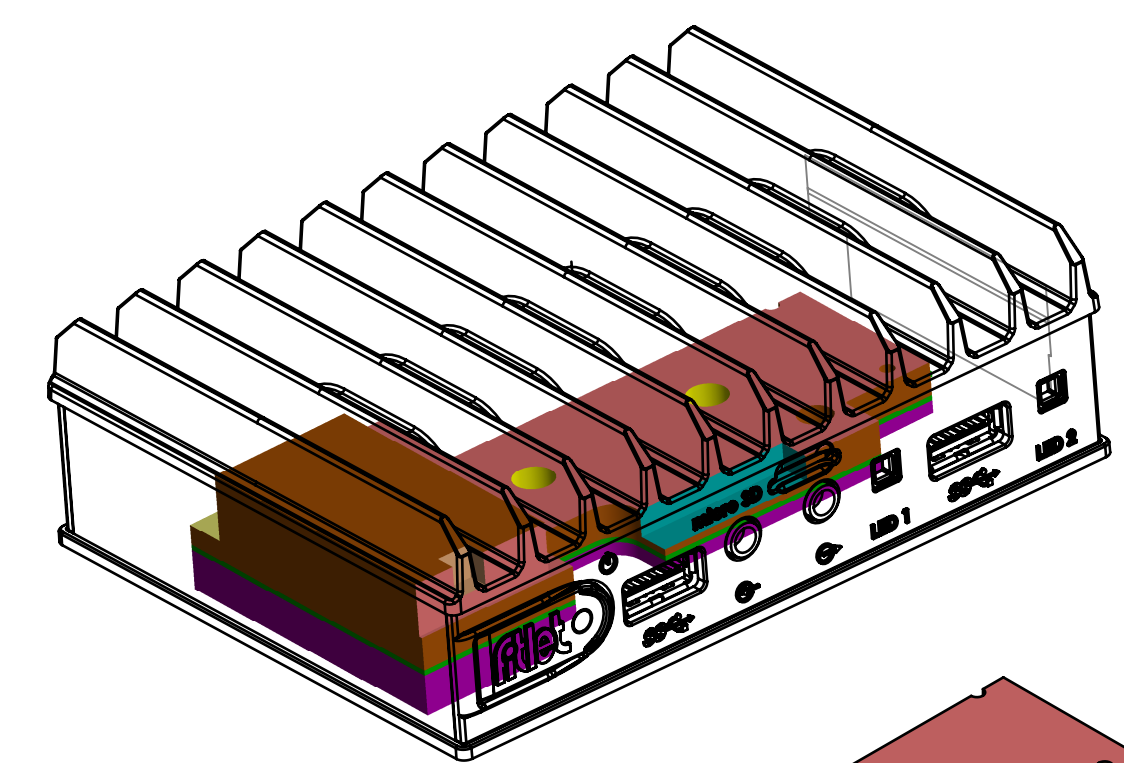
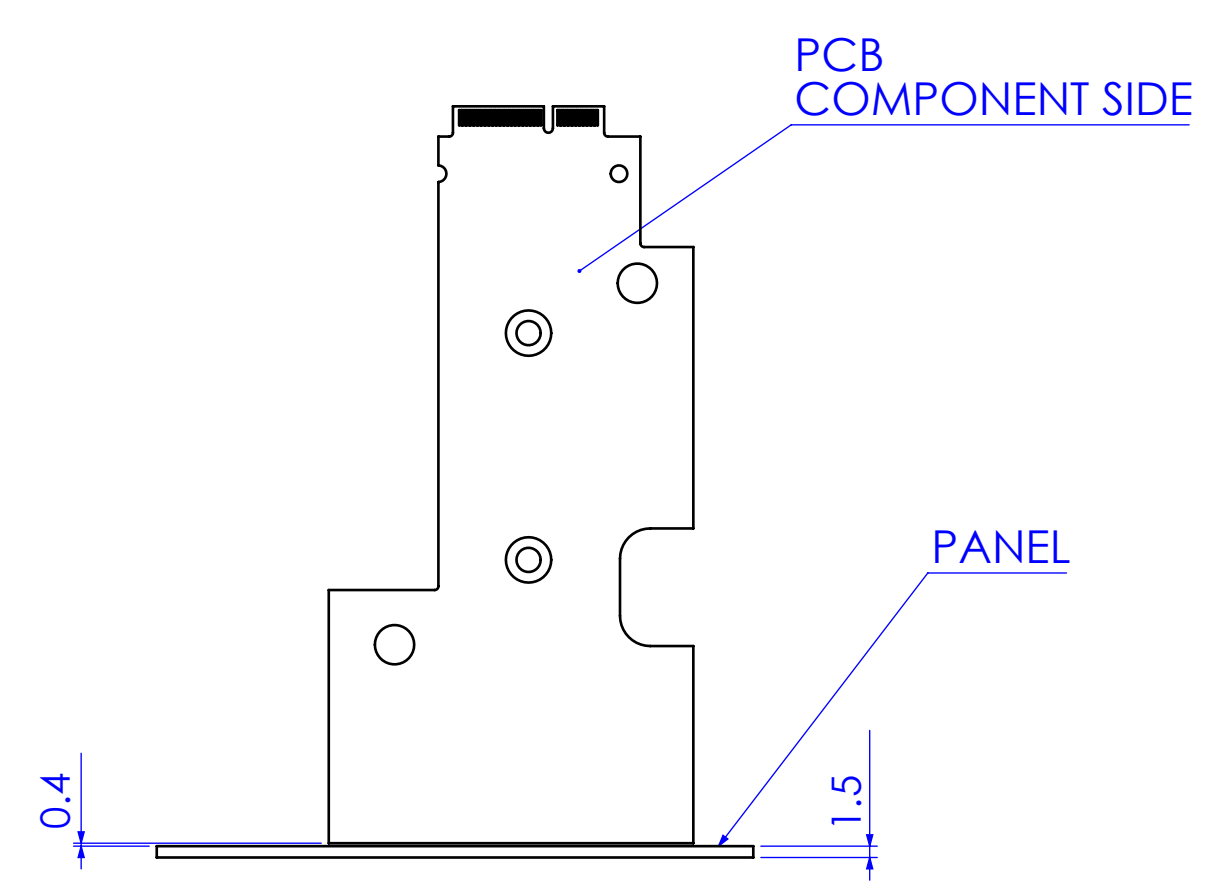
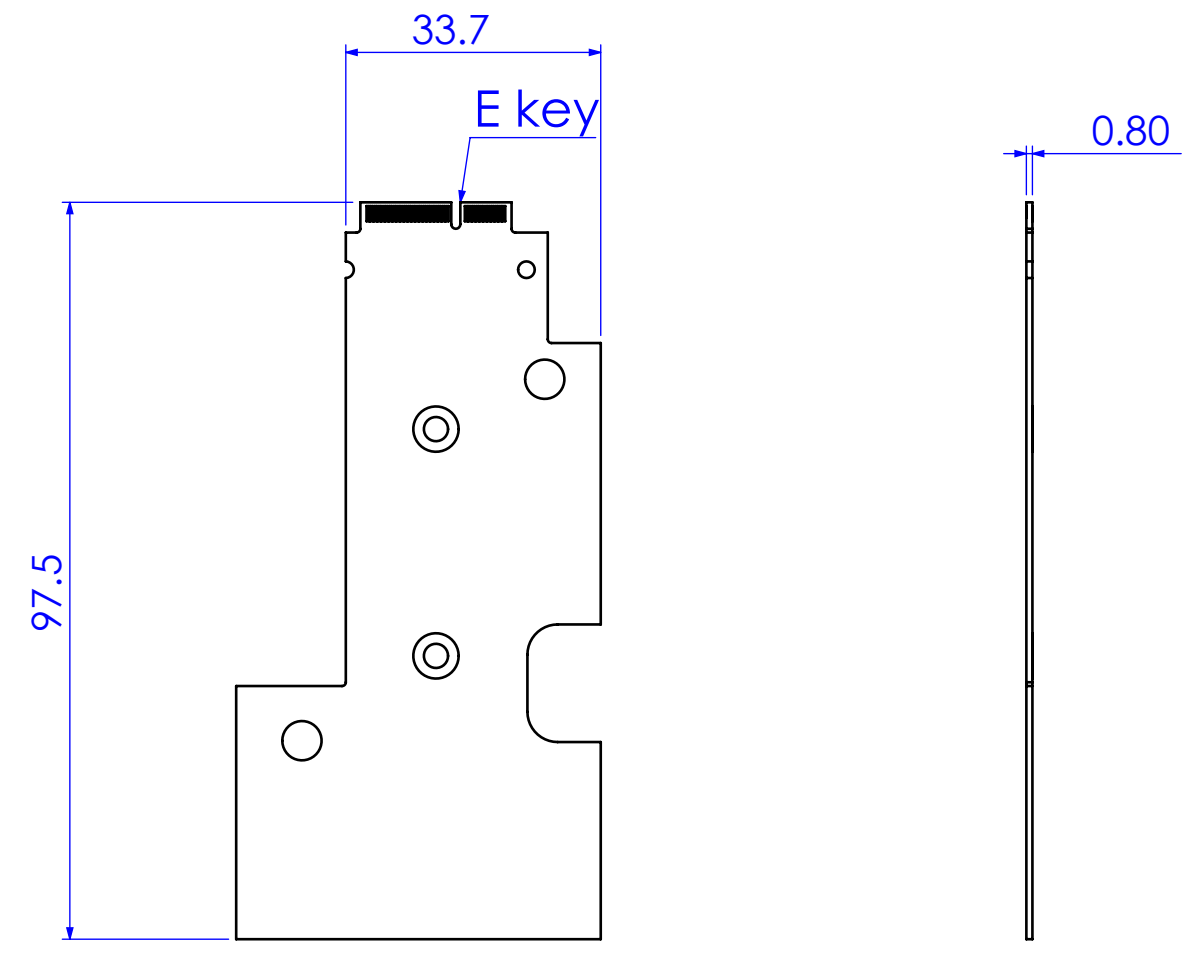
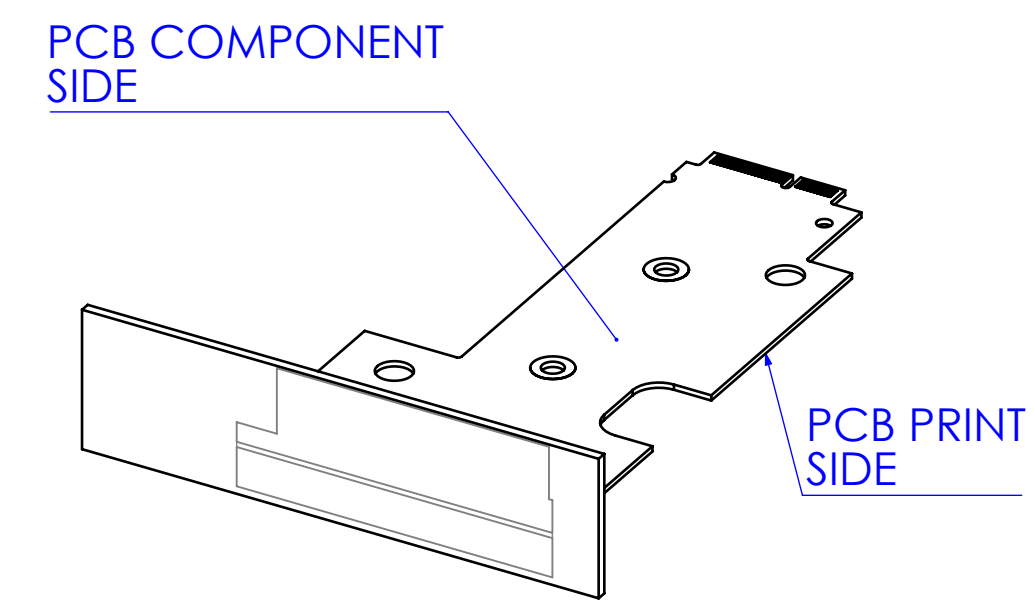
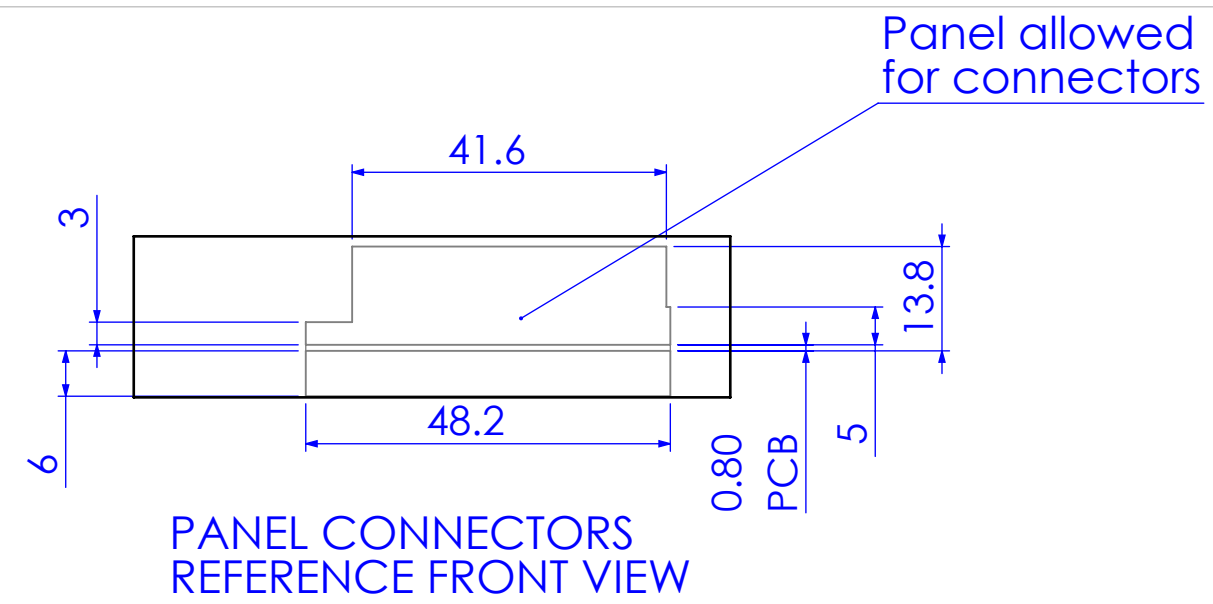


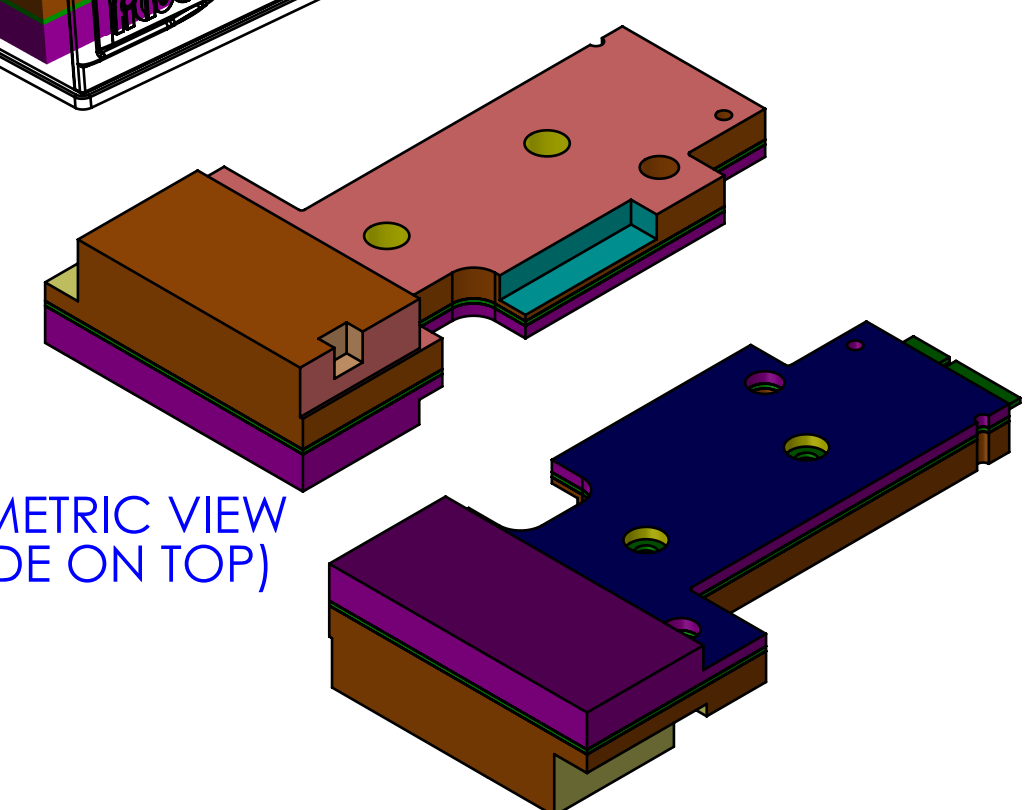
REV.	DESCRIPTION	DATE	APPROVED
1.0	Published	7-Jan-2019	Irad S.



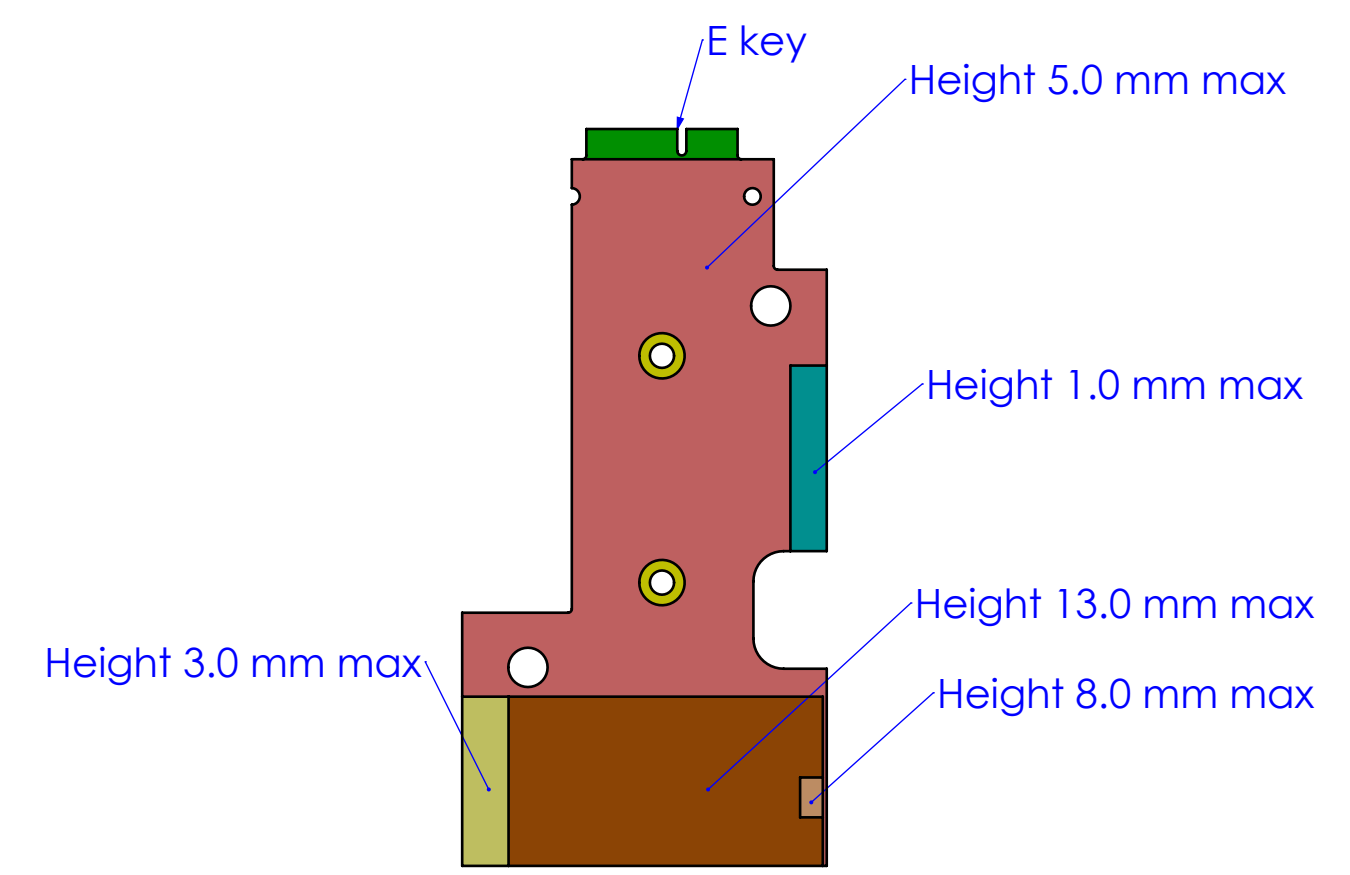
PCB COMPONENT SIDE

PANEL CONNECTORS REFERENCE FRONT VIEW (PCB COMPONENT SIDE)

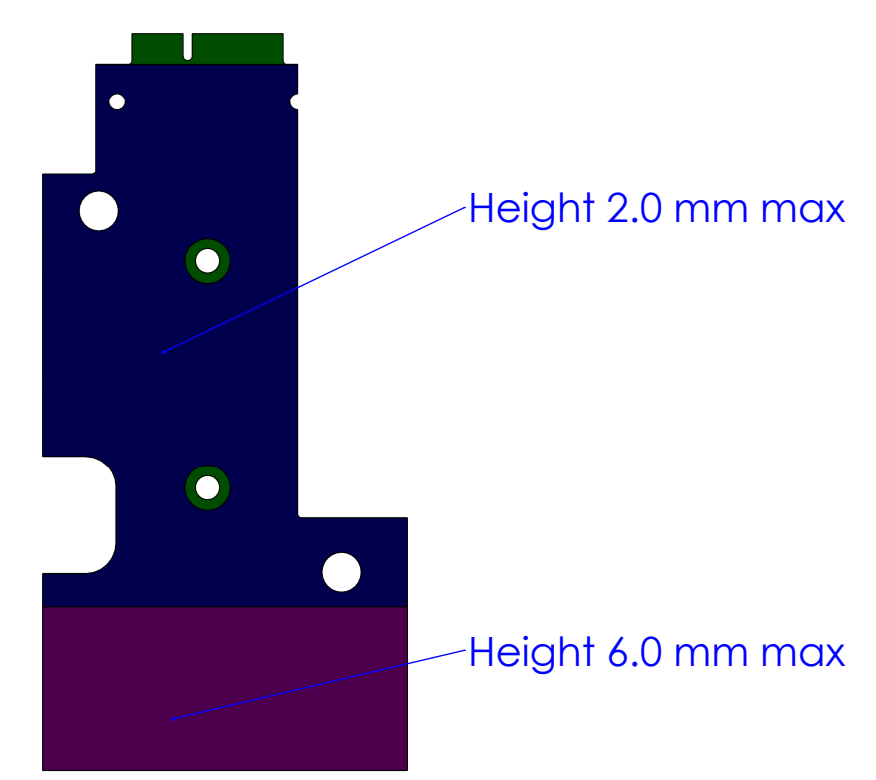
PLACEMENT ISOMETRIC VIEW (COMPONENT SIDE ON TOP)



PLACEMENT ISOMETRIC VIEW (PRINT SIDE ON TOP)



PLACEMENT COMPONENT SIDE



PLACEMENT PRINT SIDE

UNLESS OTHERWISE SPECIFIED DIMENSIONS ARE IN mm		PROJECT: Fitlet2		17 Hayetsira St. Yokneam Illit, Israel Tel: +972-48-290-100 Fax: +972-48-325-251 www.fit-iot.com email:mechanical@fit-iot.com	
USE DIMENSIONS ONLY- DO NOT SCALE REFER TO 3D MODEL		DWG	Ilan B	07-01-19	TITLE Narrow FACET Card envelope
GENERAL TOLERANCE:		DSGN	Ilan B	07-01-19	
LINEAR: ±0.2 RADIUS: ±0.1 ANGLES: ±0.5* BTWN HOLE CENTERS ±0.1		CHKD	Irada S	07-01-19	
		APPVD	Irada S	07-01-19	SCALE 1:1
PATH: FACET envelope\C\Workspace\Products\FACET-CARDS\FACET-ENVELOPE-M2LAN		1st. ANGLE PROJECTION		SIZE A2	DRAWING / P.N.
					REV 1.0