

FC-PCI Rev 1.0

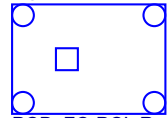
Revision notes

ZZ1

P/N = 188Z10030

PARSER_VERSION_1.0

PCB1



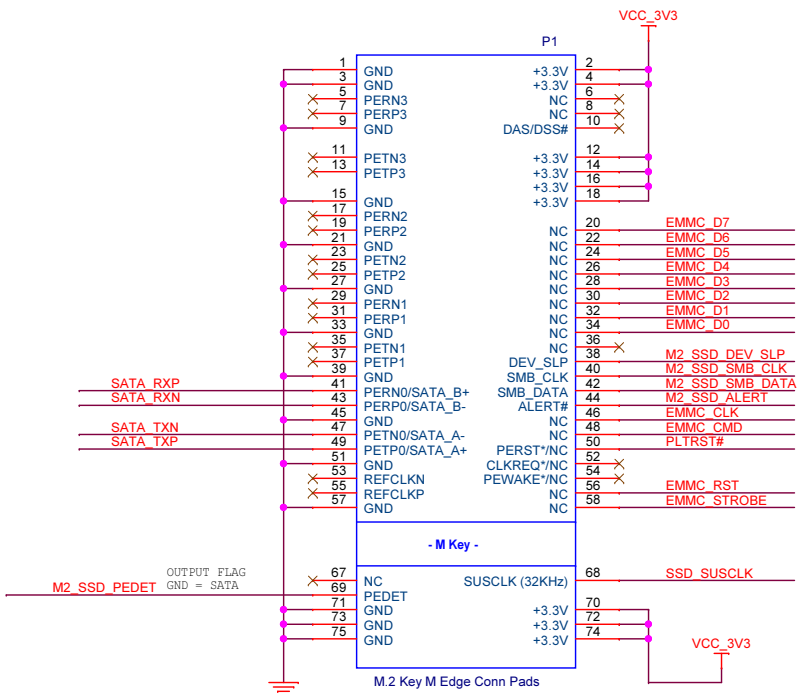
PCB, FC-PCI, Rev 1.0



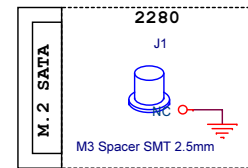
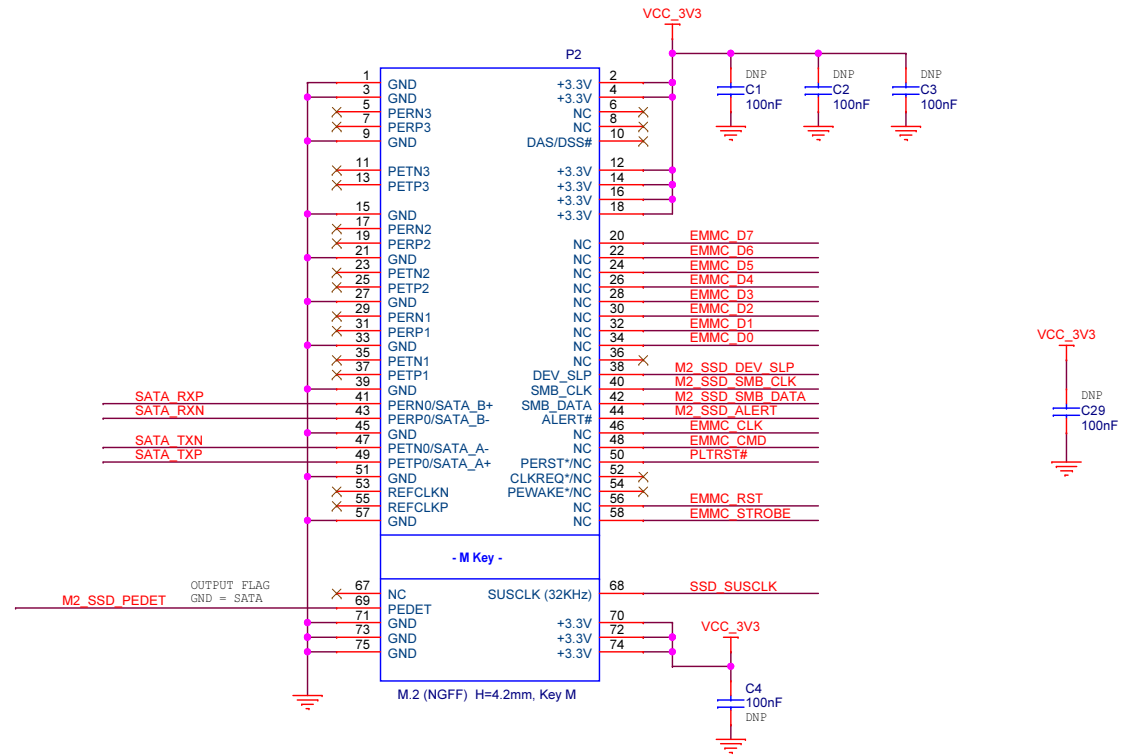
CompuLab Ltd. (972) 4 8290100
P.O. Box 66
Nesher 36770, Israel
All Right reserved.
Unauthorized duplication prohibited

Size A	Title INDEX	Rev 1.0
Date: Monday, December 11, 2017		Sheet 1 of 3

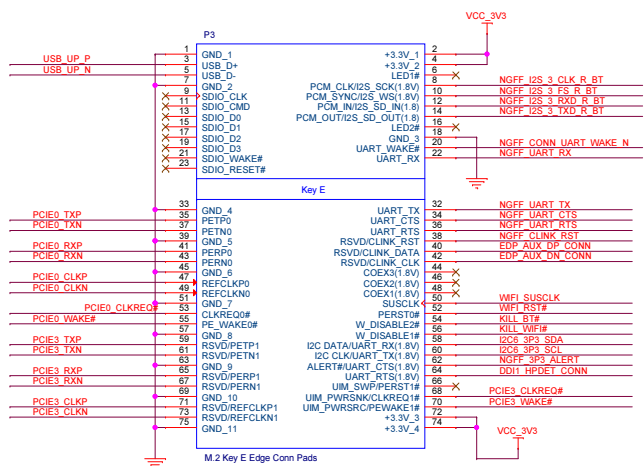
PCB EDGE CONN PADS (M.2 Key M)



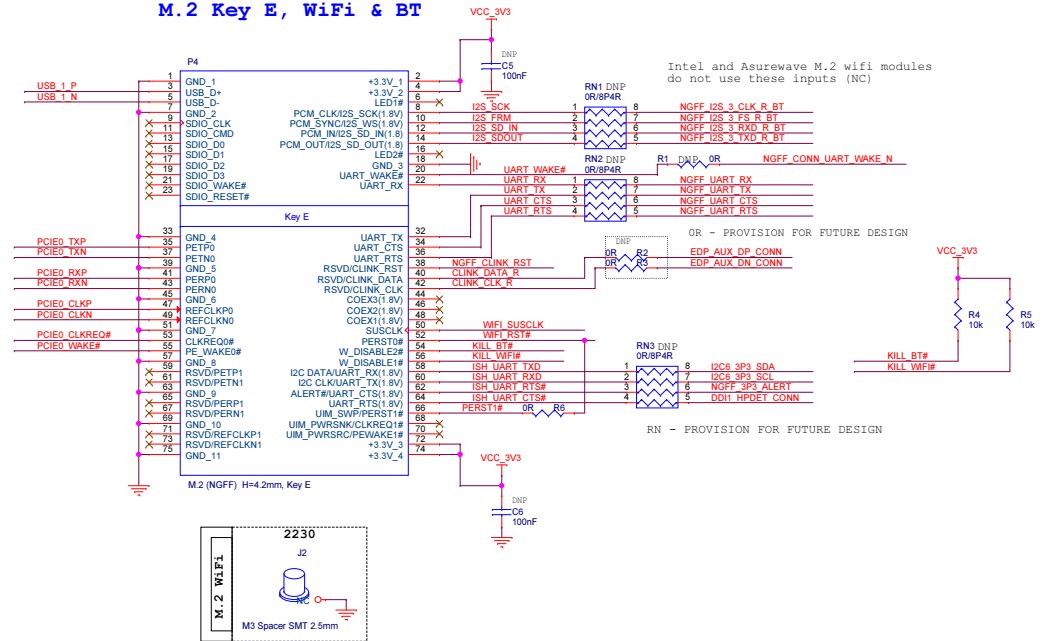
M.2 Key M SATA



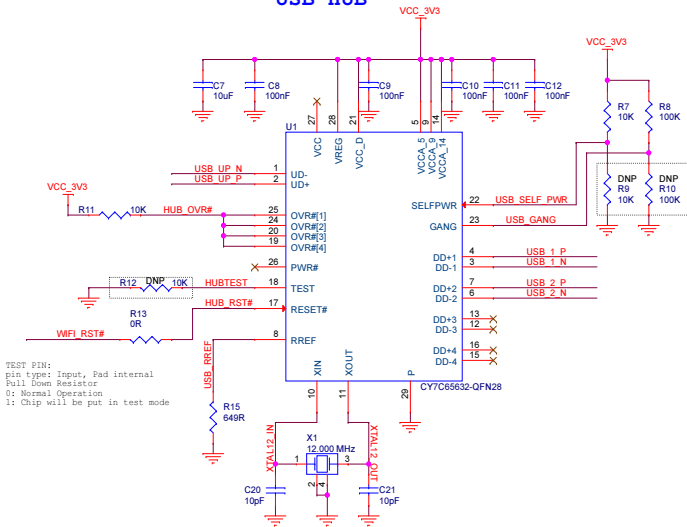
PCB EDGE CONN PADS (M.2 Key E)



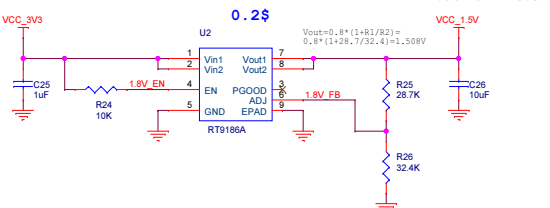
M.2 Key E, WiFi & BT



USB HUB



LDO 1.5V, 500mA



miniPCIe

