

- 9 PCIE_TXP0_NGFF <>> PCIE_TXP0_NGFF
- 9 PCIE_TXN0_NGFF <>> PCIE_TXN0_NGFF
- 9 PCIE_RXP0_NGFF <>> PCIE_RXP0_NGFF
- 9 PCIE_RXN0_NGFF <>> PCIE_RXN0_NGFF
- 9 PCIE_REFCLK0_DP <>> PCIE_REFCLK0_DP
- 9 PCIE_REFCLK0_DN <>> PCIE_REFCLK0_DN
- 7 PCIE_CLKREQ0_N <>> PCIE_CLKREQ0_N
- 7 PCIE_WAKE0_3P3_N <>> PCIE_WAKE0_3P3_N
- 9 PCIE_TXP3_NGFF <>> PCIE_TXP3_NGFF
- 9 PCIE_TXN3_NGFF <>> PCIE_TXN3_NGFF
- 9 PCIE_RXP3_NGFF <>> PCIE_RXP3_NGFF
- 9 PCIE_RXN3_NGFF <>> PCIE_RXN3_NGFF
- 9 PCIE_REFCLK3_DP <>> PCIE_REFCLK3_DP
- 9 PCIE_REFCLK3_DN <>> PCIE_REFCLK3_DN

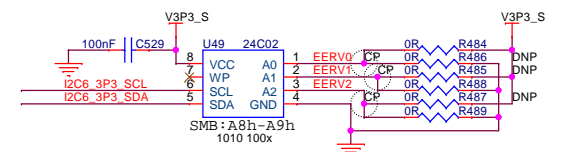
ZZ1
P/N = 188Z10030
PARSER_VERSION_1.0

PCB1
P/N = 188C03080
PCB = FC-M2LAN rev1.0

LBL1
P/N = 374F08P08C
8x8mm x 3 Barcode

LBL2
P/N = 374F13P20C
White/Polyester

Revision EEPROM

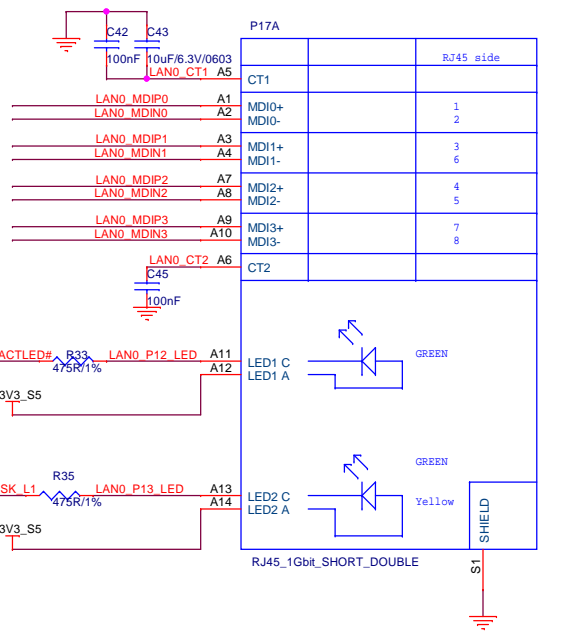
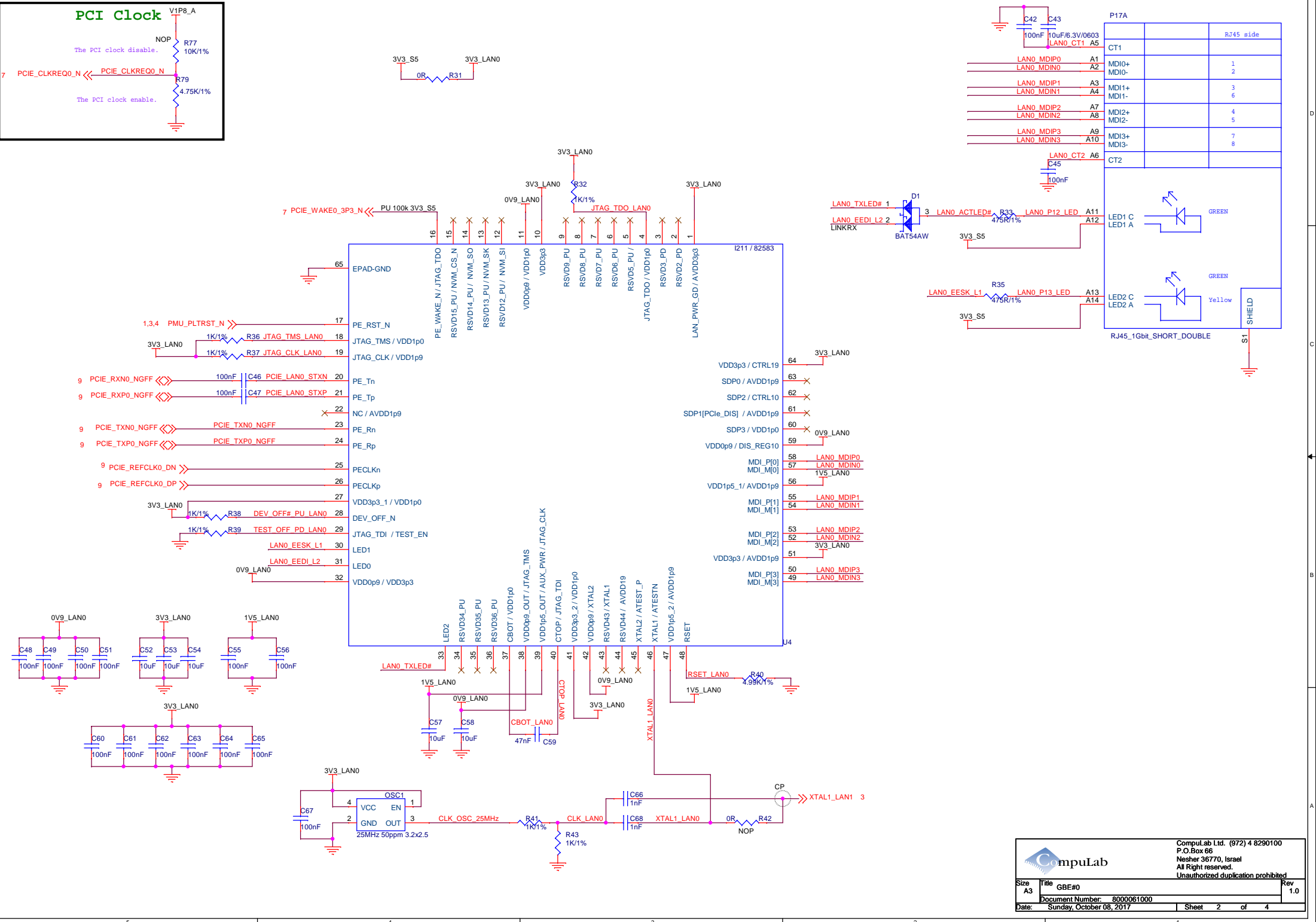
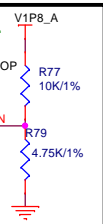


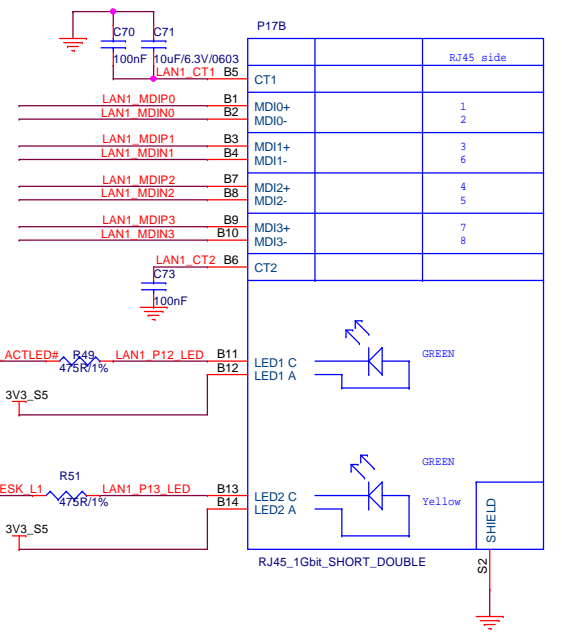
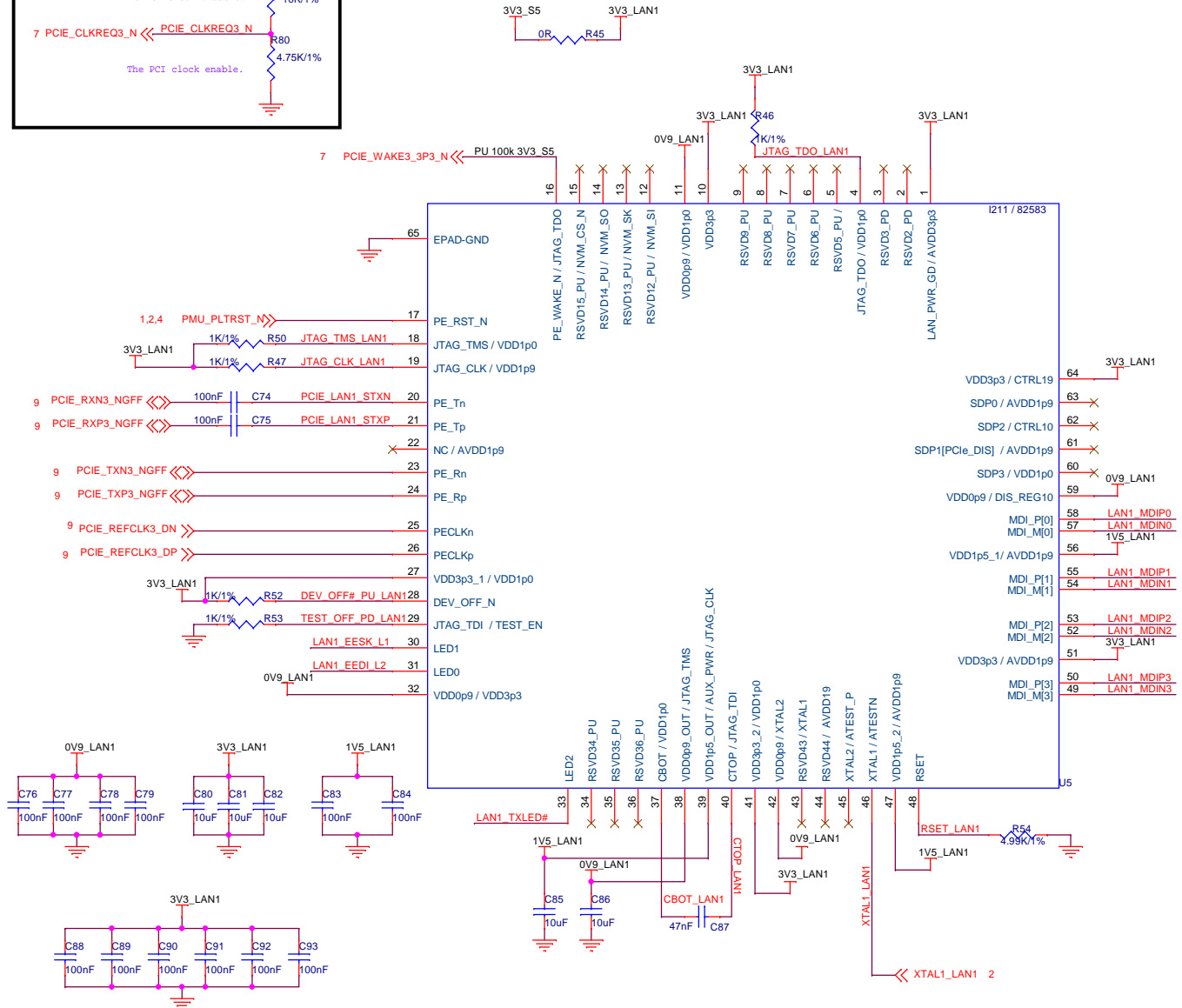
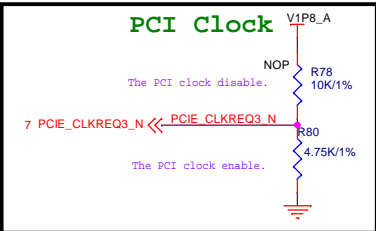
SMB : A8h - A9h
1010 100x
Change the component to 111S30801S

PCI Clock

The PCI clock disable.

The PCI clock enable.





Pin	Signal	Color
B1	LAN1 MDIP0	GREEN
B2	LAN1 MDIN0	GREEN
B3	LAN1 MDIP1	GREEN
B4	LAN1 MDIN1	GREEN
B7	LAN1 MDIP2	GREEN
B8	LAN1 MDIN2	GREEN
B9	LAN1 MDIP3	GREEN
B10	LAN1 MDIN3	GREEN
B6	LAN1 CT2	YELLOW

CompuLab Ltd. (972) 4 8290100
P.O. Box 66
Nesher 36770, Israel
All Right reserved.
Unauthorized duplication prohibited

Size A3	Title 4- GBE#1	Rev 1.0
Document Number: 8000061000		
Date: Wednesday, September 27, 2017	Sheet 3	of 4