

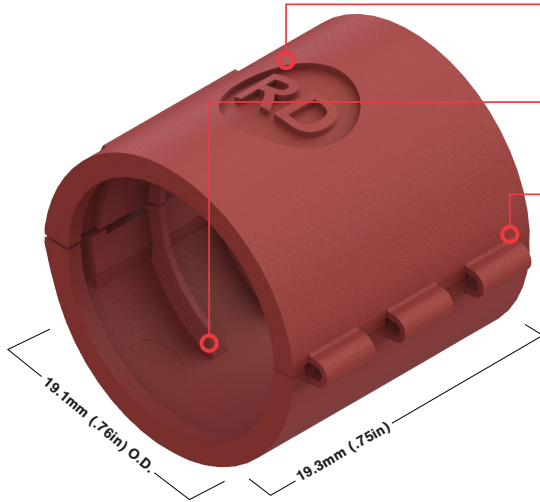
Ruggedized Cable Accessories

ColorCodedCuffs™

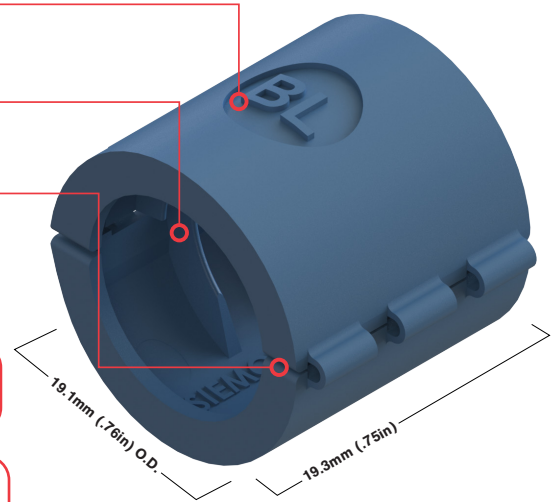
Siemon ColorCodedCuffs (CCC) offer telecom installers an updated means to identify carrier equipment with a safe, robust, quick to install cable identification system. The injection-molded, single piece design allows for toolless, one-handed installations with 360° coverage, even while wearing work gloves.

There are two versions available, one for 1/2" Coax Cable and the other for 1/2" Superflex Coax Cable. Suitable for harsh, outdoor environments, Siemon's CCCs are composed of chemical resistant materials suitable for ultraviolet exposure, water immersion and ice build-up. A superior alternative to electrical tape, CCCs are color-matched to industry standards and are an eco-friendly and durable identification solution that does not require tools and eliminates field issues associated with tape flags and deteriorating adhesive.

ColorCodedCuff for 1/2" Nominal Coax



ColorCodedCuff for 1/2" Superflex Coax



- Molded color code available in 10 standard colors
- Dual concentric ribs follow cable corrugations
- Triple hinge for increased reliability
- Designed for 200+ installations
- Color-matched to existing ID tape for legacy color code consistency
- Retention maintained through extreme temperatures



Single Piece Design

The injection molded, single piece design makes it easy to install cuffs onto cables, even while wearing work gloves. Cable size and product URL are molded into the interior of the cuff for easy identification.



360° Visibility










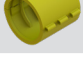
Full 360° coverage in easy to identify industry standard colors.



Ruggedized Construction

Designed with UV and environmental rated materials

Product Information

	Color	1/2" Coax Part Number	1/2" Superflex Coax Part Number	Mechanical Parameters	1/2" Coax	1/2" Superflex Coax
	Blue	CCC-0.63-C10-BL	CCC-0.54-C10-BL	Cable O.D.	16.0mm (0.63in)	13.7mm (0.54in)
	Brown	CCC-0.63-C10-BN	CCC-0.54-C10-BN	Retention Force	20N (4.5 lbf) to 70N (15.7 lbf) based on cable	9N (2.0 lbf) to 30N (6.7 lbf) based on cable
	Green	CCC-0.63-C10-GN	CCC-0.54-C10-GN	Dimensions (installed)	19.1mm (0.75in) Wide x \varnothing 19.3mm (0.76in)	
	Orange	CCC-0.63-C10-OR	CCC-0.54-C10-OR	Installation Temperature	-25°C to 70°C (-13°F to 158°F)	
	Red	CCC-0.63-C10-RD	CCC-0.54-C10-RD	Operating Temperature	-45°C to 70°C (-49°F to 158°F)	
	Pink	CCC-0.63-C10.PK	CCC-0.54-C10.PK	Storage Temperature	-45°C to 70°C (-49°F to 158°F)	
	Slate	CCC-0.63-C10-SL	CCC-0.54-C10-SL	Cycle Life	200 Cycles	
	Violet	CCC-0.63-C10-VT	CCC-0.54-C10-VT	Material	Polypropylene, Flame Retardant, UV Stabilized, PVC Free, RoHS, REACH	
	White	CCC-0.63-C10-WT	CCC-0.54-C10-WT	Flammability Rating	UL 94 V-0 IEC 60695-11-10, -20	
	Yellow	CCC-0.63-C10-YL	CCC-0.54-C10-YL	UV Resistance	UL 746C (f2) 1000 hr. Xenon-Arc UV Exposure	
				Environmental Standards	IEC 60068 Mil-STD-810GH	
				Shelf Life	20 Years	

For more information or sample requests, please visit www.siemon.com/ccc

Warranty Policy

The Siemon Company warrants such product to be free from defects in material and workmanship. The Siemon Company will, upon written notice from Buyer of such non-conformity within three (3) year after date of shipment, either replace it F.O.B. original point of delivery, or refund the purchase price, at The Siemon Company's option. The remedies provided herein shall be Buyer's sole and exclusive remedies, and no statement or recommendation not contained herein shall have any force or effect unless in writing and signed by an authorized officer of The Siemon Company. THE SIEMON COMPANY MAKES NO WARRANTY, EXPRESS OR IMPLIED, AS TO MERCHANTABILITY OR FITNESS FOR A PARTICULAR PURPOSE OF ANY PRODUCT SOLD. IN NO EVENT WILL THE SIEMON COMPANY BE LIABLE FOR ANY SPECIAL, INCIDENTAL, OR CONSEQUENTIAL DAMAGES, WHETHER ASSERTED IN CONTRACT, TORT, OR OTHERWISE.

If this product should be defective, please contact our SIS Customer Service team at 860-945-4213 or by email at customer_service@siemon.com

Because we continuously improve our products, Siemon reserves the right to change specifications and availability without prior notice.

North America P: (1) 860 945 4200	Asia Pacific P: (61) 2 8977 7500	Latin America P: (571) 657 1950/51/52	Europe P: (44) 0 1932 571771	China P: (86) 215385 0303	India Africa & Middle East P: (971) 4 3689743
---	--	---	--	-------------------------------------	---

Siemon Interconnect Solutions
P: (1) 860 945 4213
www.siemon.com/SIS

WWW.SIEMON.COM

