

# CLA-020-511 TOP SHELF BAR

## CARACOLE CLASSIC

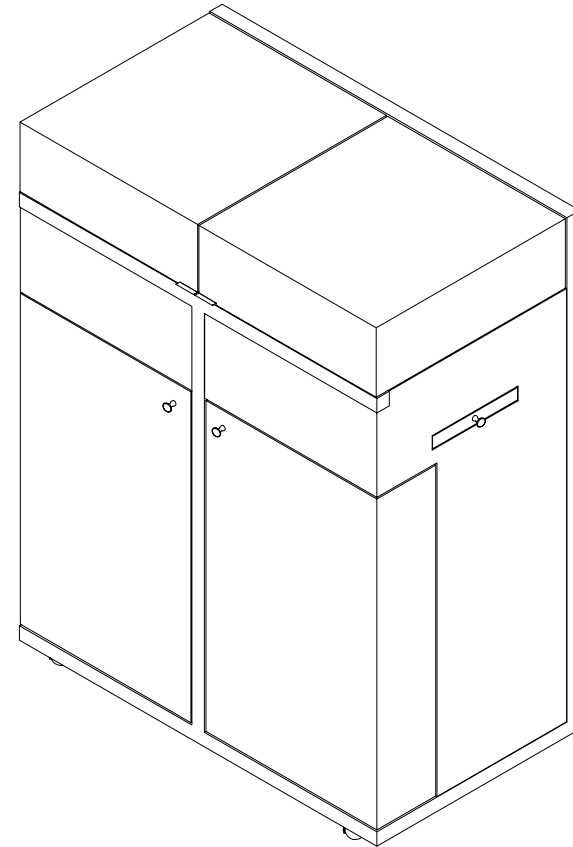
### ASSEMBLY INSTRUCTIONS

**PLEASE UNPACK ALL PARTS AND CHECK AGAINST PARTS LIST ON THIS INSTRUCTION SHEET BEFORE DISCARDING PACKING AND CARTON!!**

This is a set-up case and no assembly is required except for anti-tip restraint strap. (follow instruction for anti-tip restraint assembly )

**\*\*\* NOTE KEEP THIS SHEET!!! \*\*\***

In the unlikely event that you would need a replacement part for your furniture, please contact your local authorized Caracole International dealer. If you need replacement hardware quickly, it could be purchased from your local hardware store.



	CLA-020-511 TOP SHELF BAR	
Part Description	Part No.	QTY
Door Knob	CLA-020-511-4084	4
Door Pull	CLA-020-511-4081	2
Adjustable Shelf	CLA-020-511-4023	1
Adjustable Shelf Pin	CLA-421-511-4087	4
Removable Wine Rack	CLA-020-511-40172	1
Glass Pad	CLA-020-511-4010	1
Magnetic Catch	CLA-020-511-4012	4
Caster	CLA-020-511-4004	4
Pull-out Shelf	CLA-020-511-40156	2

