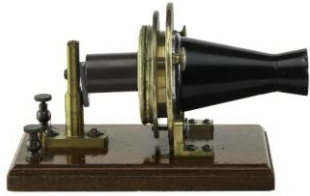
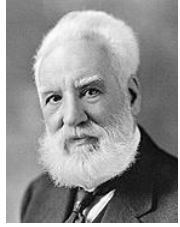


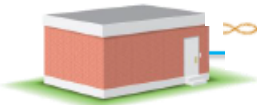
Evolution of Access Network Architectures

Gregory Lentz
Market Development Manager - Corning

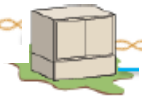




1876 first phone call



Exchange

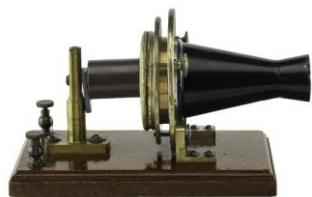
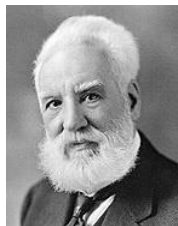


Node

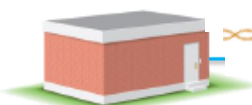


Home

Built for *voice*, DSL-enhanced for data



1876 first phone call



Exchange



Node



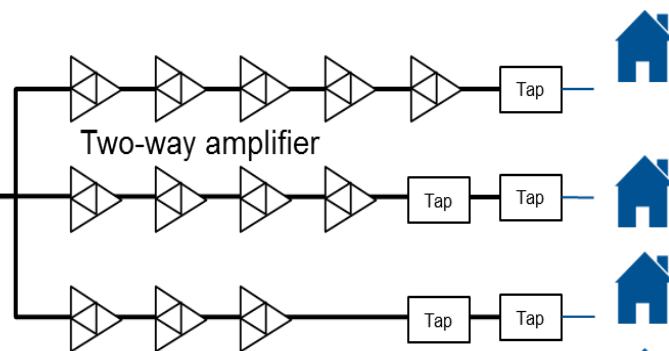
Home

Built for *voice*, DSL-enhanced for data

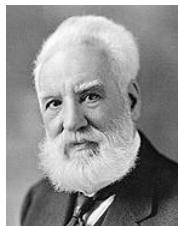
1948 first CATV service delivers broadcast TV



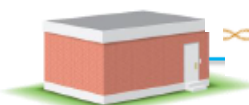
Hardline coax



Built for broadcast *video*, DOCSIS-enhanced for data



1876 first phone call



Exchange

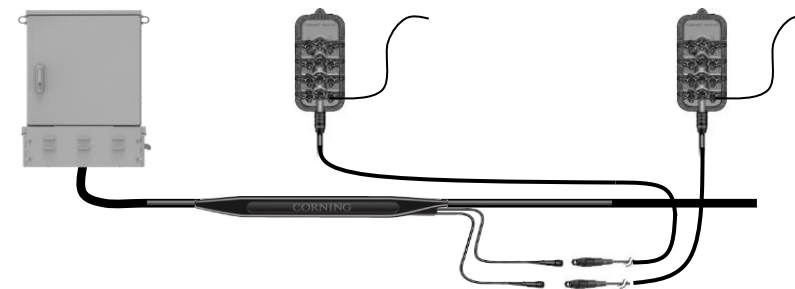


Node



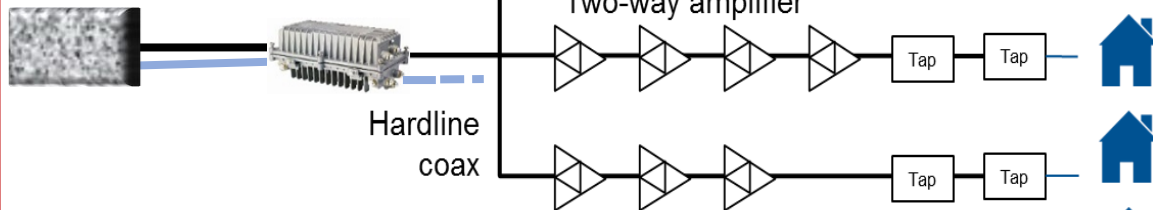
Home

Built for *voice*, DSL-enhanced for data

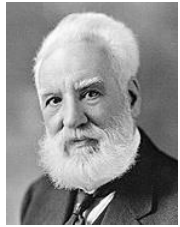


Fiber driven further into the network to enhance service offerings

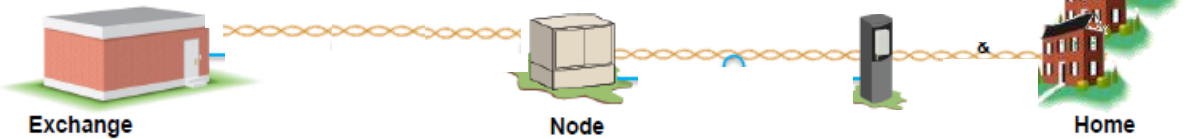
1948 first CATV service delivers broadcast TV



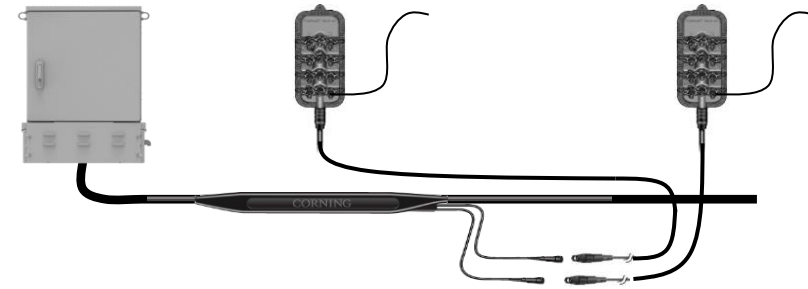
Built for broadcast *video*, DOCSIS-enhanced for data



1876 first phone call

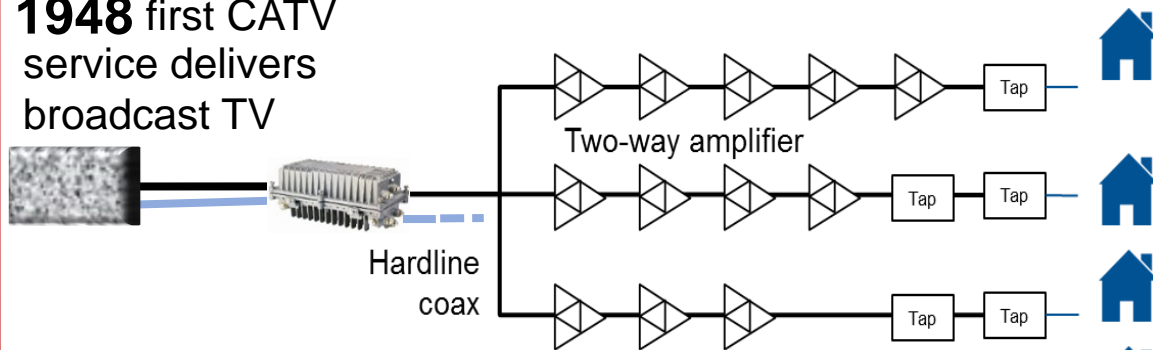


Built for *voice*, DSL-enhanced for data

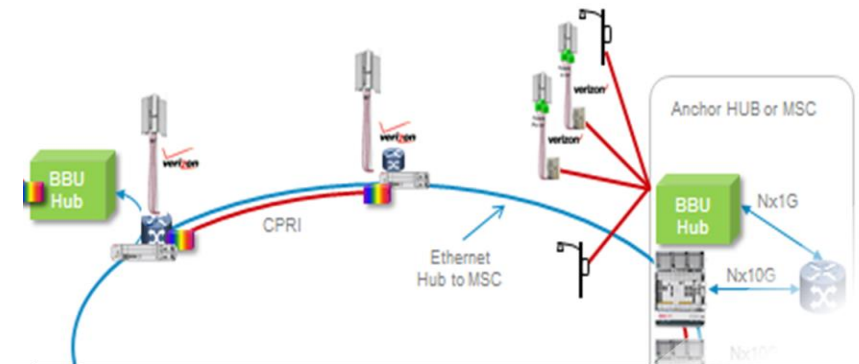


Fiber driven further into the network to enhance service offerings

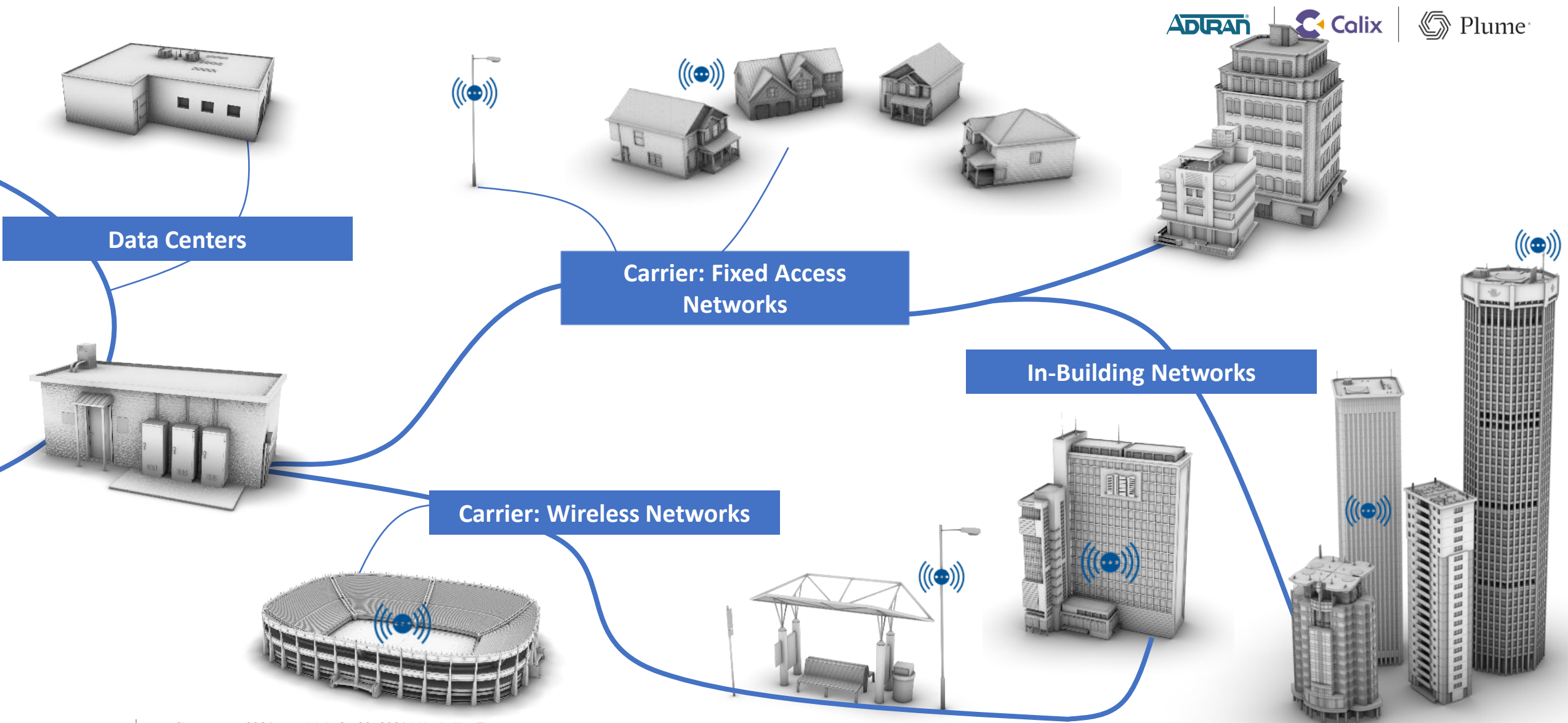
1948 first CATV service delivers broadcast TV

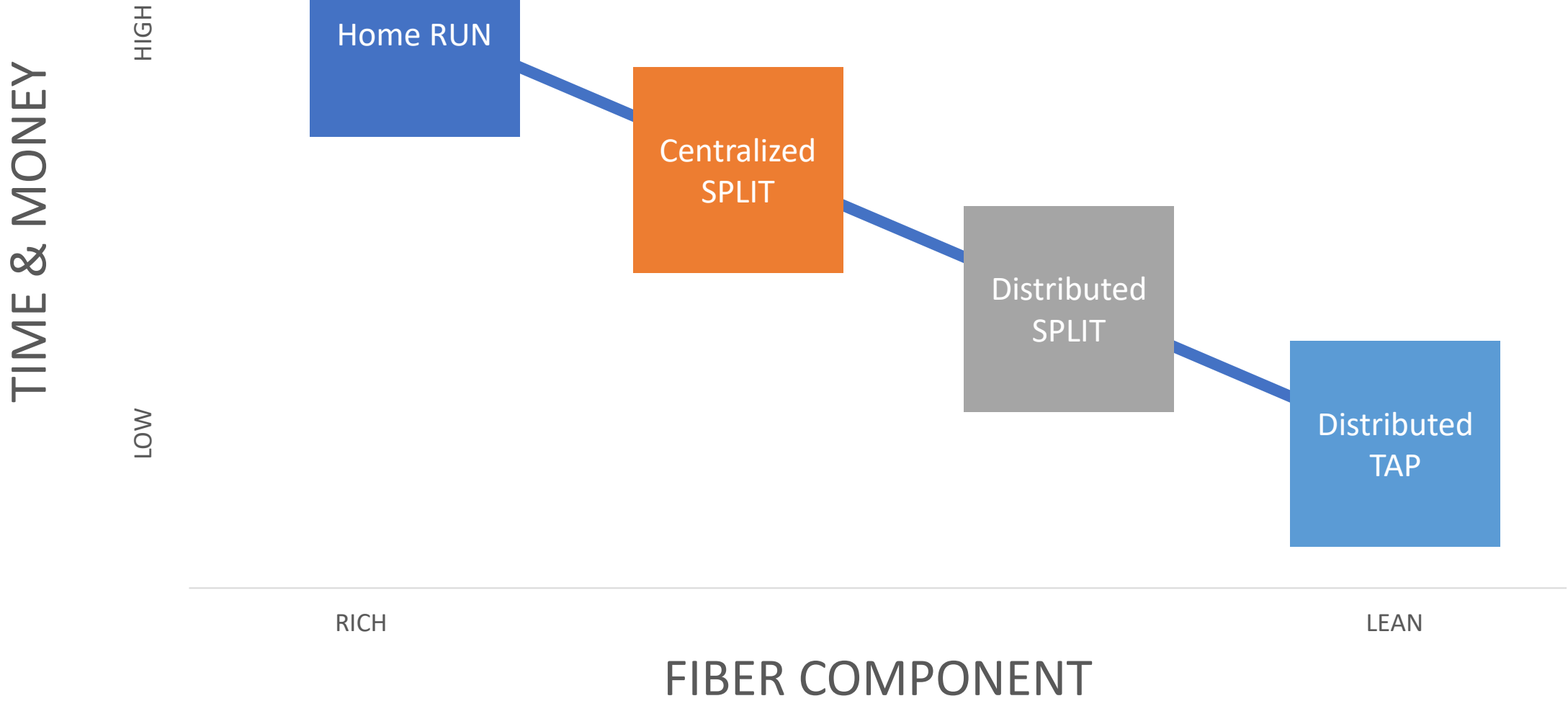


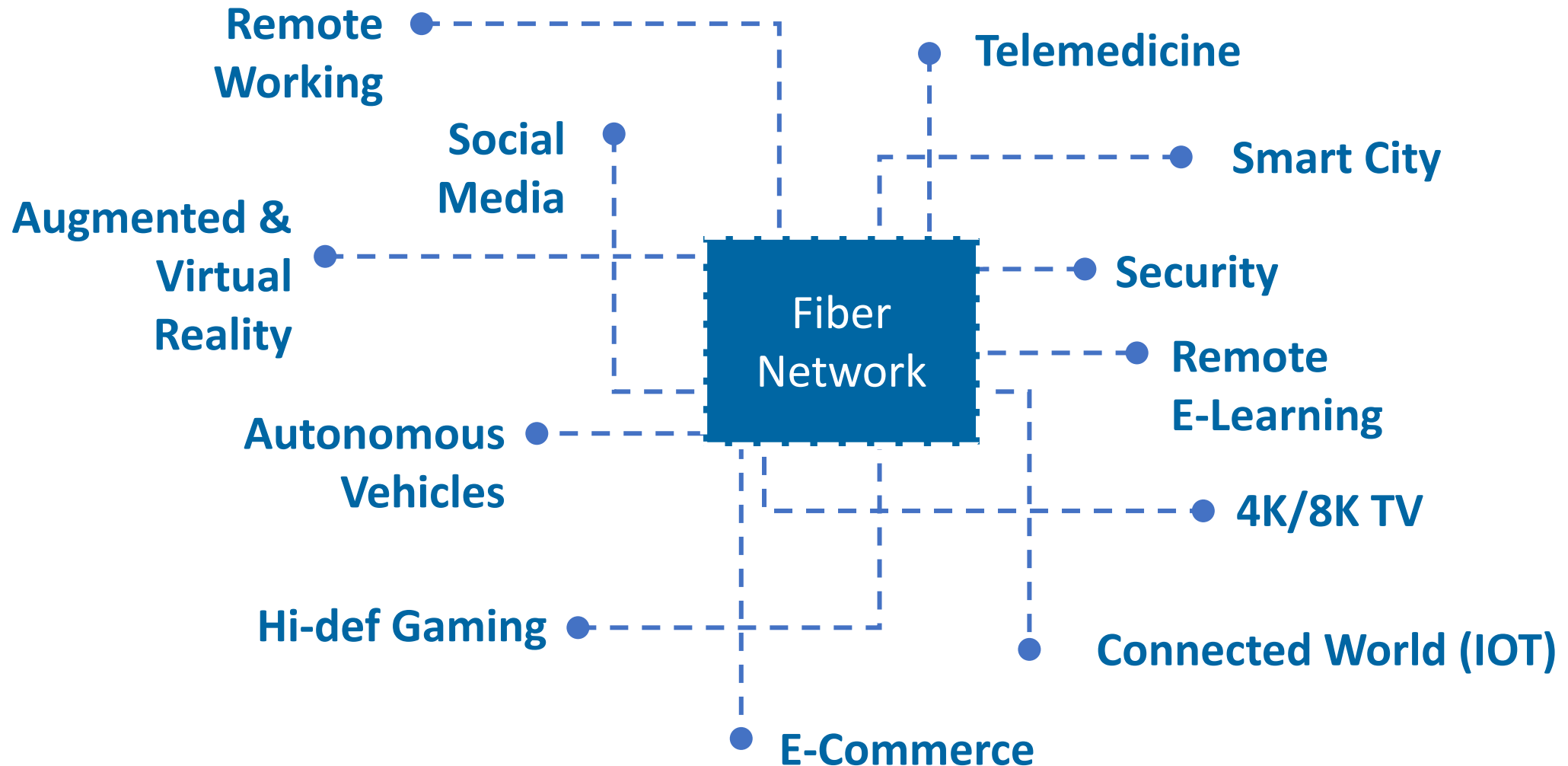
Built for broadcast *video*, DOCSIS-enhanced for data



Built for mobile voice, enhanced through frequency & performance upgrades.









Remote Working

Telemedicine



Augmented & Virtual Reality

Social Media

Smart City

Virtual Reality

Fiber Network

Security

Remote E-Learning



Autonomous Vehicles

4K/8K TV

Hi-def Gaming

Connected World (IOT)

E-Commerce



Funding is here!

- ReConnect Loan & Grant - \$600M
- Connect America Fund - \$1.5B
- COVID Relief - \$7B
- RDOF - \$20.4B
- 5G Fund for Rural - \$9B
- American Rescue Plan Act - \$10B
- Proposal for Broadband Infrastructure - \$65B

ROI Considerations



Funding

- ARPU & Take-Rate
- Government and Private Investment
- Payback period considerations



Labor

- In-house or outsourced?
- Contracts in place?
- Have you provided a build-plan to secure labor?



Material

- Record demand
- Plan early, and communicate often
- Transportation challenges are present as well.

Thank you

Gregory Lentz
Market Development Manager - Corning

