

Project:

Pitch Table Lamp Spec Sheet

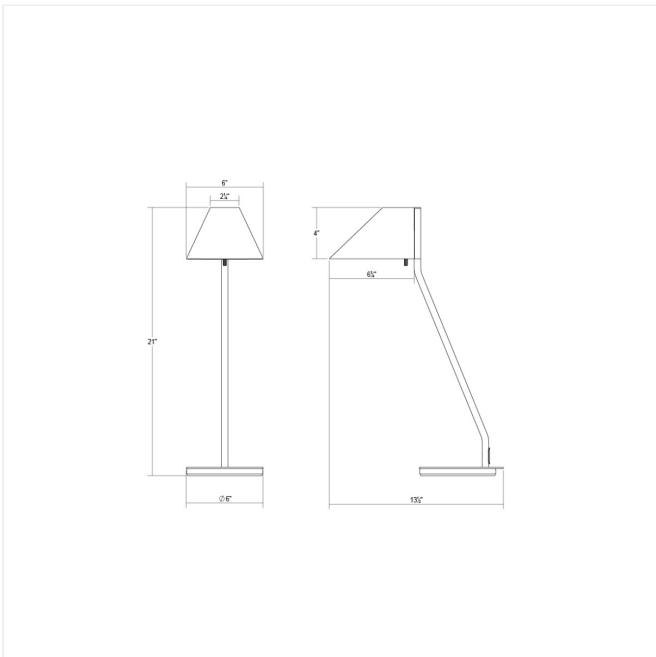
SKU: 3254.03

Perfectly scaled for a desk or bedside table, the Pitch Table Lamp features a reductive asymmetrical metal cone shade that casts LED light forward or from side to side.

This Studio Exclusive is part of the Pitch family, which also includes the [Pitch Floor Lamp](#) and [Pitch Wall Lamp](#).

Learn more: <https://sonnemanlight.com/pitch-table-lamp>

Type #:



Dimensions

Height:	21"
Width:	6"
Length:	13.5"
Canopy/Backplate/Base Width:	6"
Canopy/Backplate/Base Depth:	6.5"
Canopy/Backplate/Base Height:	0.5"

Electrical Specs

Bulb(s) Included?:	Yes
Bulb 1 Type:	Integral LED
Bulb Quantity:	1
Input Voltage:	120-240VAC
Initial Lumens:	800
Color Temperature:	3000K
CRI:	90
Power Supply Type:	Driver
Power Supply Quantity:	1
Power Supply Location:	Plug
Dimming Type:	Non-dimmable
Bulb Max Wattage:	7.5

Installation

Installation:	No electrician required
---------------	-------------------------

Shade

Shade Material:	Metal
Shade 1 Color:	Satin White

General Listings

Features:	Damp Rated
Certification:	C-ETL-US
Color/Finish:	Satin White (.03)
Dark Sky Friendly:	N

Available Finishes

Available Finishes:	Brass Finish (.14), Satin Black (.25), Satin White (.03)
---------------------	--

Available Color Temperatures

Available Color Temperatures:	3000k
-------------------------------	-------