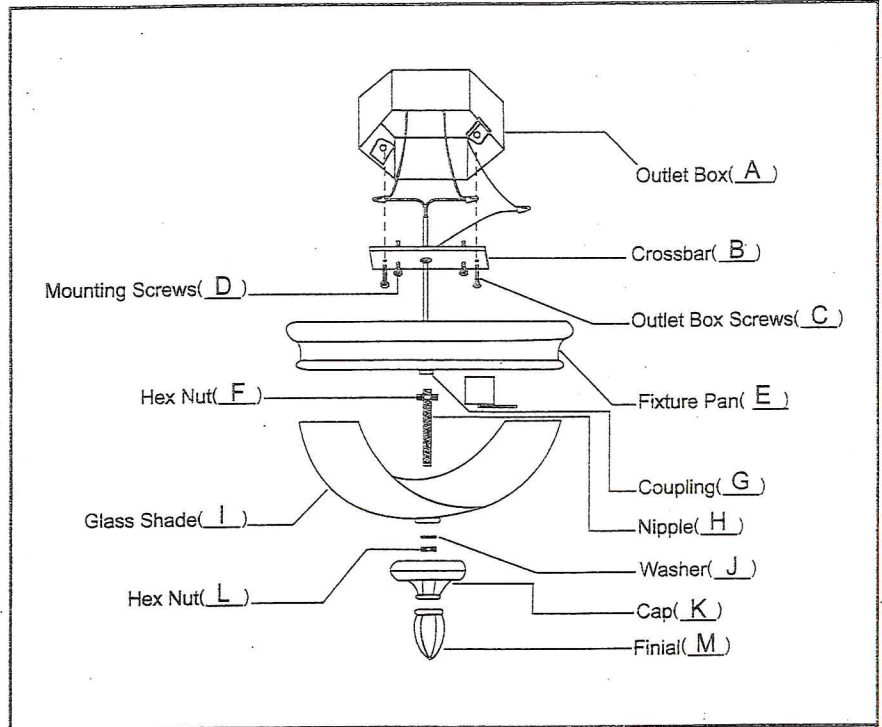


INSTALLATION INSTRUCTIONS

1. Carefully remove the fixture out of the carton, and check that all parts are included referring to the above illustration. Make sure not to misplace any parts that are needed for the installation;
2. Install the nipple with hex nut (3) into coupling (1), then secure them with nipple with hex nut (3).
3. Install the steel washer (4), rubber washer (5), glass panel (6), rubber washer (7) and steel washer (8) onto nipple with hex nut (3), then secure them with hex nut (9).
4. Install the cover (10) onto nipple with hex nut (3), then secure them with wheel (11).
5. Fixture is ready for lamping and installation.

MOUNTING THE FIXTURE (FIG.1)



1. Turn electricity off at main circuit breaker. Remove the new fixture and mounting parts from the box and make sure that no parts are missing before installation.
2. Two Mounting Screws(D) should be threaded through the two mounting screw holes on the Crossbar(B).
3. Fasten the Universal Crossbar (B) to the Outlet Box (A) with (Two) Outlet Box Screws (Shown as C. Not Furnished) & "GND" on side of Crossbar (B) should be faced out.
4. Connect the wires as wiring instruction (See Wiring Diagram).
5. Mount the Fixture Pan(E) by placing it over both Mounting Screws(D) so that the screws protrude through the keyholes in the Fixture Pan(E). Rotate the Fixture Pan(E) until the screws are seated in the slots of the keyholes and tighten the screws with a screwdriver.
6. Thread the Nipple with Hex Nut(F) into the Coupling (G). The lower nipple length could be adjusted and secured by adjust the location of the hex nut on the center Nipple (H) for install the lower parts of the fixture.
7. Install the light bulbs in accordance with the fixture's specifications.
DO NOT EXCEED THE MAXIMUM WATTAGE RATING!
8. Insert the Glass Shade(I), Steel Washer(J) over the Nipple(H) in order, then secure with Hex Nut(L).
9. Insert the Cap(K) on to the Nipple(H) and thread the Finial(M) onto the Nipple(H) until snug.
10. Restore electrical power at the main circuit breaker.