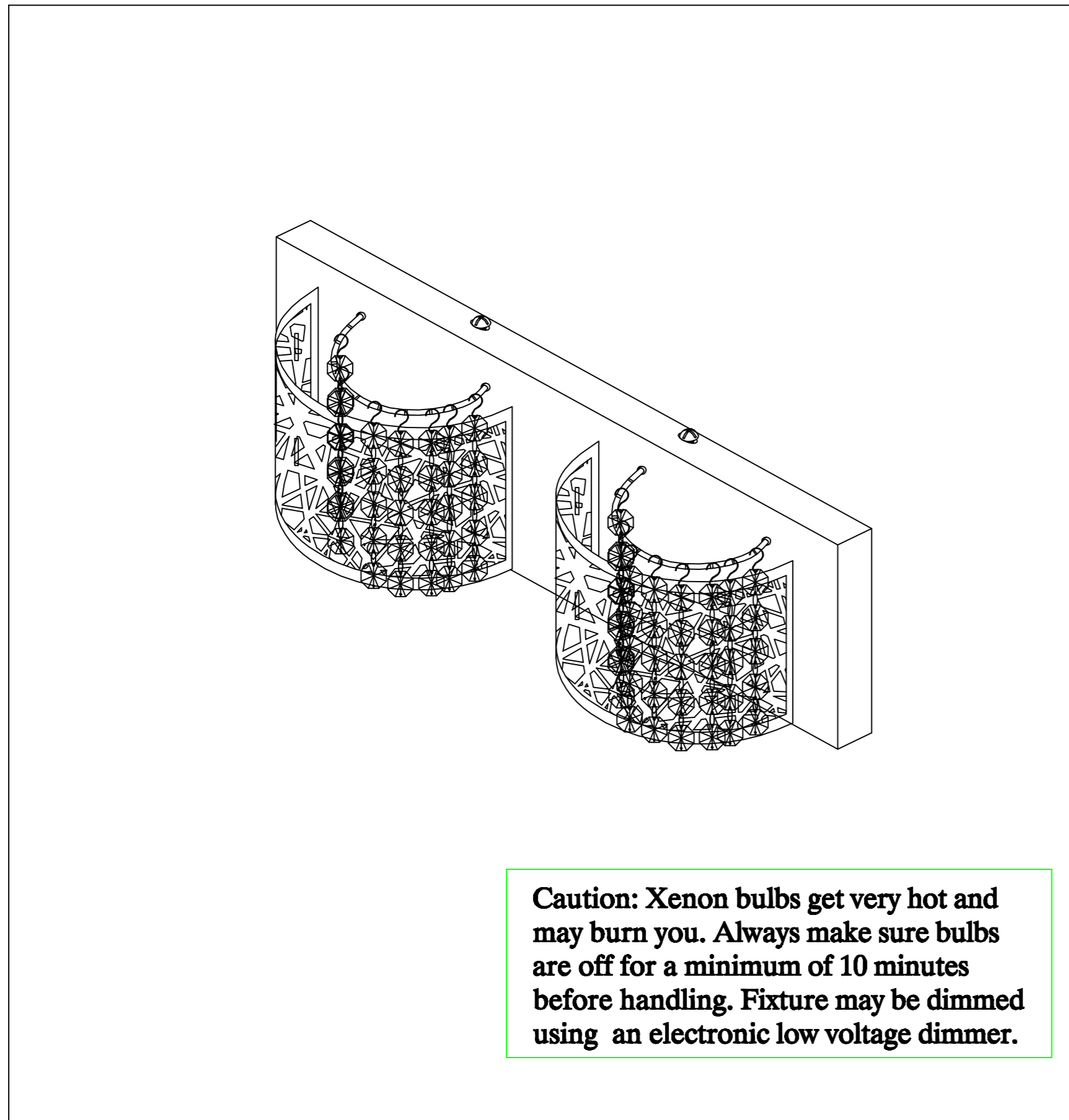


E2 Contemporary Lighting

PRODUCT NAME: Inca
ITEM NUMBER: E21315-10BZ

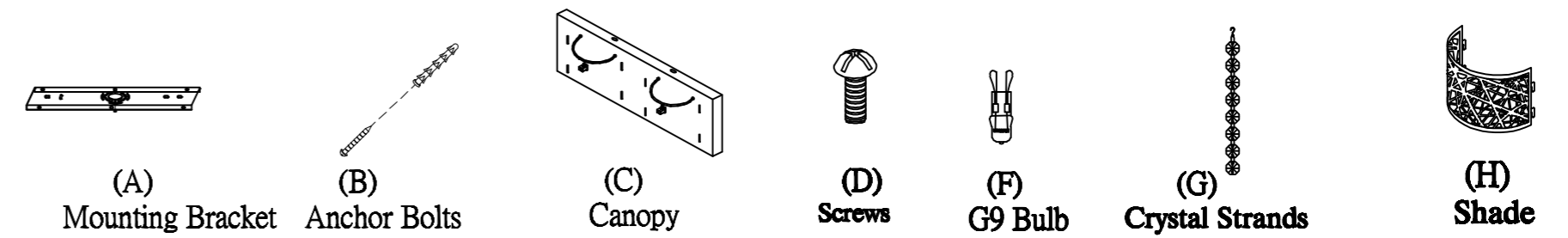
Please consult your electrician for hanging fixture and wiring.



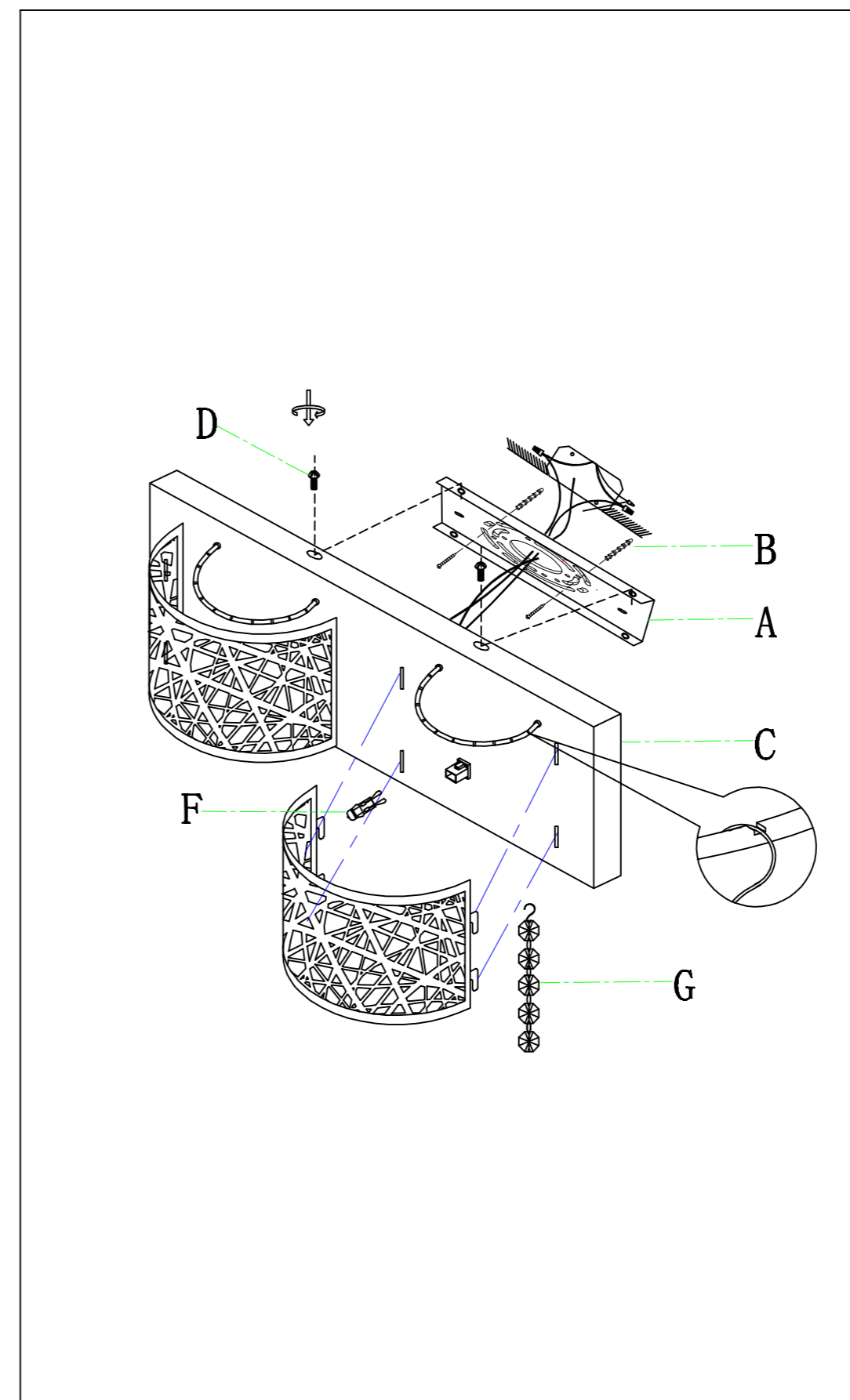
Caution: Xenon bulbs get very hot and may burn you. Always make sure bulbs are off for a minimum of 10 minutes before handling. Fixture may be dimmed using an electronic low voltage dimmer.

Bulbs (Included): G9X40W

IMPORTANT: Turn off the power at the main fuse or circuit breaker box before starting installation



Locate all hardware & components before discarding packaging



Cleaning & Care:
 Clean with soft cloth and a mild detergent.
 Do not use abrasive cleaner.

- 1.) **Step.1:** Remove mounting bracket (A) from Canopy (C) to install to electrical box
- 2.) **Step.2:** Wire fixture to wires in outlet box. Green wire is for Ground.
- 3.) **Step.3:** Secure fixture to mounting bracket using screws (D).
- 4.) **Step.4:** Slide shade (H) onto clips, install G9 bulbs (F) and hang crystal strands (G).