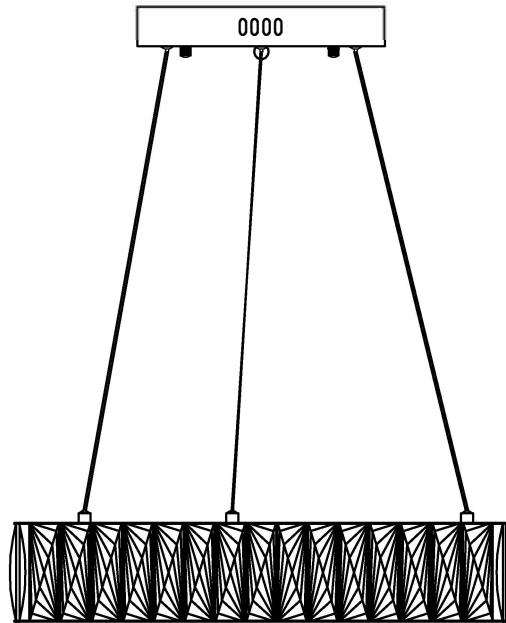


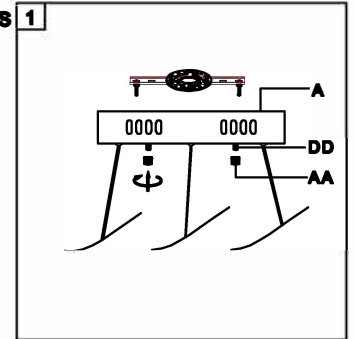
Product Name: Pendant lamp
Model :5704P20-1-601
120Vac, 60Hz,AC ONLY
Lamp Size:ø20"*H4"-122"

Trade Mark:
CRYSTAL WORLD INC



PENDANT LAMP ASSEMBLY INSTRUCTIONS

1. Place fixture (A) onto mounting screws (DD), secure with cap nuts (AA).



Hardware Used

AA Cap nut  X 2

DD Mounting screw  X 2

2. lighting bulbs (not included).

120V LED  **18*1W**
DIMMABLE (4000K)

