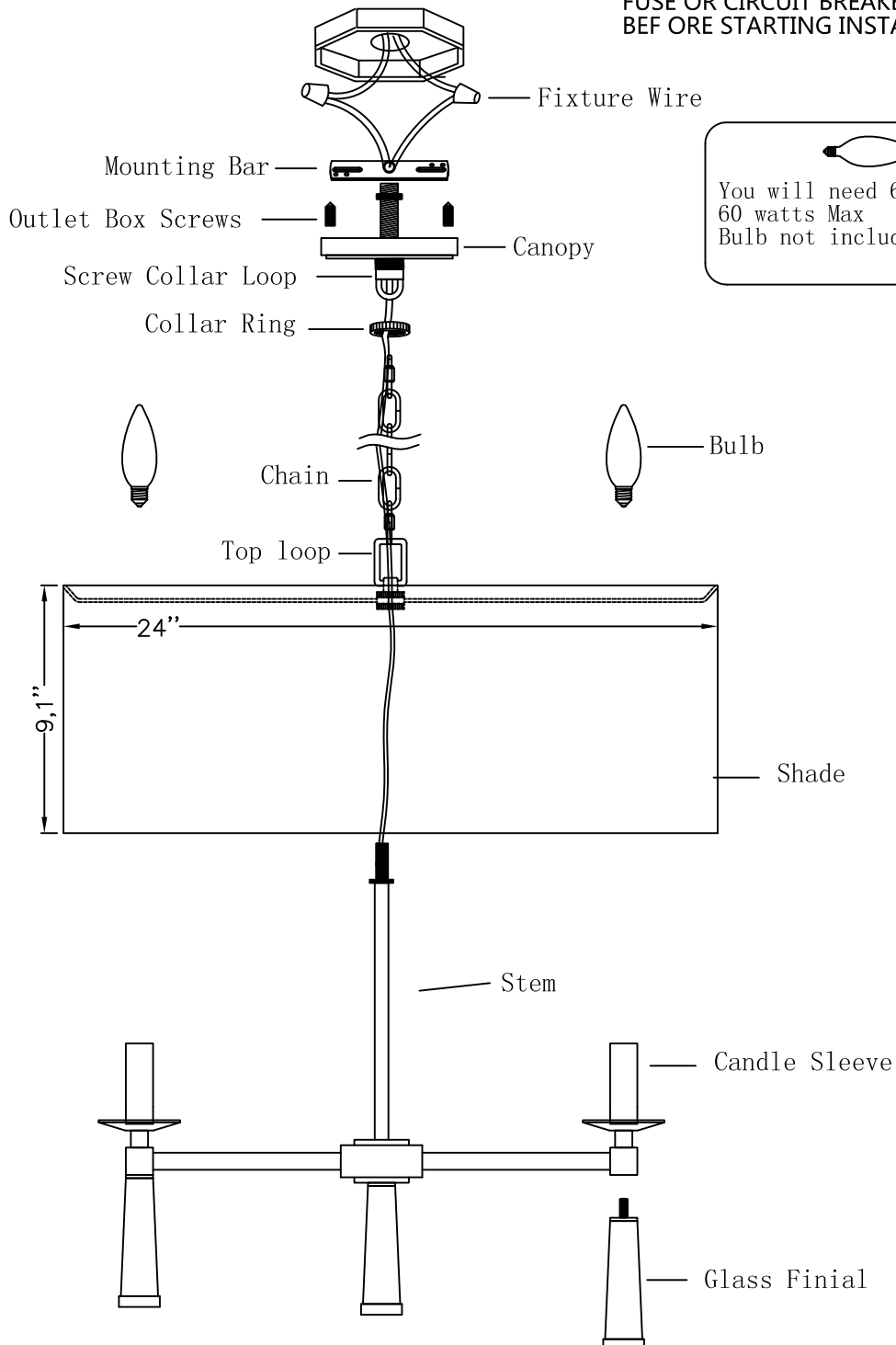



# CRYSTORAMA

95 Cantiague Rock Road, Westbury NY 11590  
ph:516.931.9090 fax:516.931.1254  
info@crystorama.com www.crystorama.com

## MODEL#: 8866-OR ASSEMBLY AND DRESSING INSTRUCTIONS

**IMPORTANT**  
TURN OFF THE POWER AT THE MAIN  
FUSE OR CIRCUIT BREAKER BOX  
BEFORE STARTING INSTALLATION



  
You will need 6-Cand. BULB  
60 watts Max  
Bulb not included