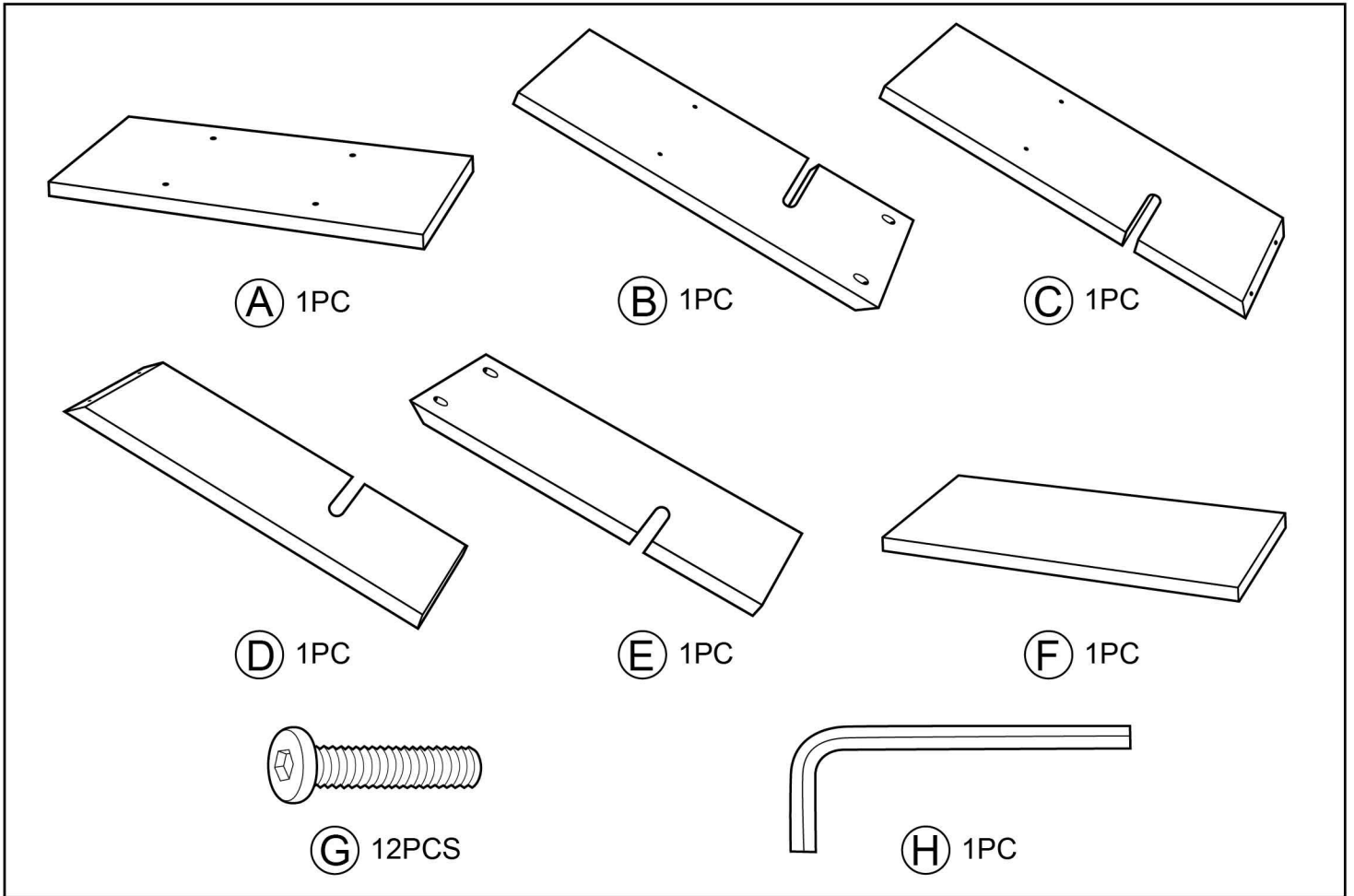
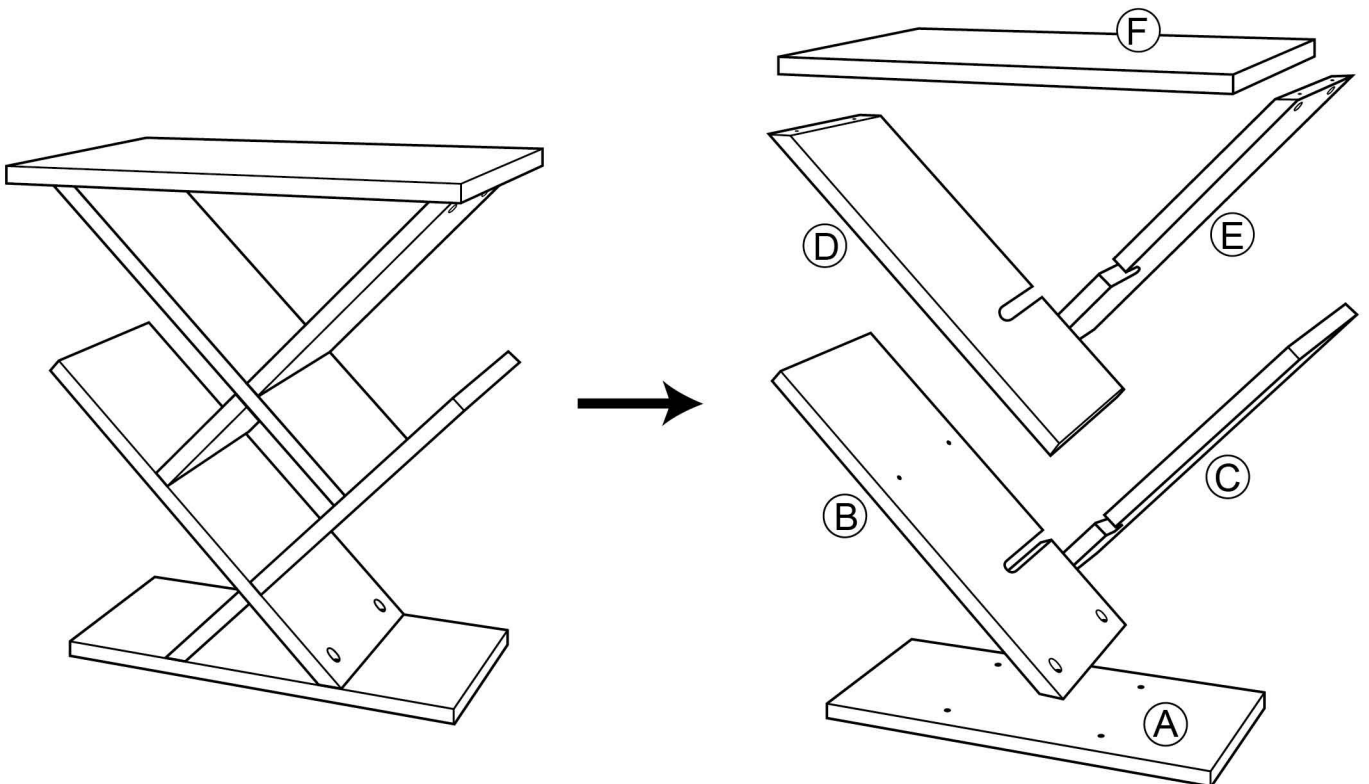


# ASSEMBLY INSTRUCTIONS Zig Zag Accent Table

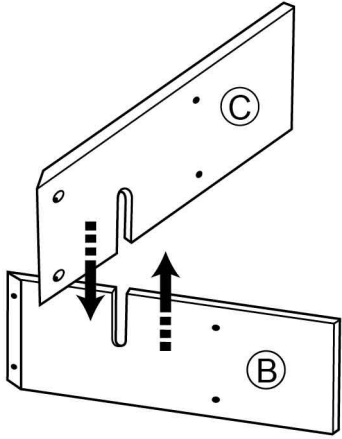
WK4614-01



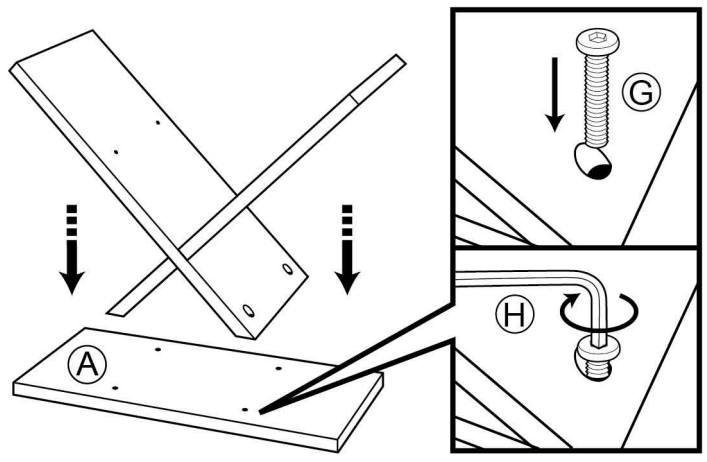
CAUTION : DO NOT TIGHTEN SCREWS COMPLETELY UNTIL ALL THE SCREWS ARE FIXED IN THE CORRECT POSITION



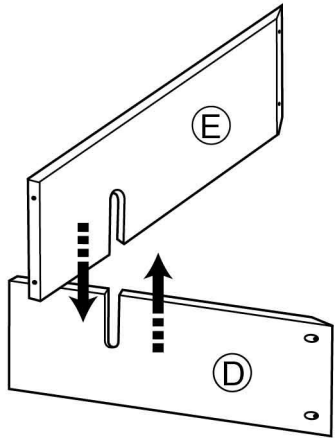
1



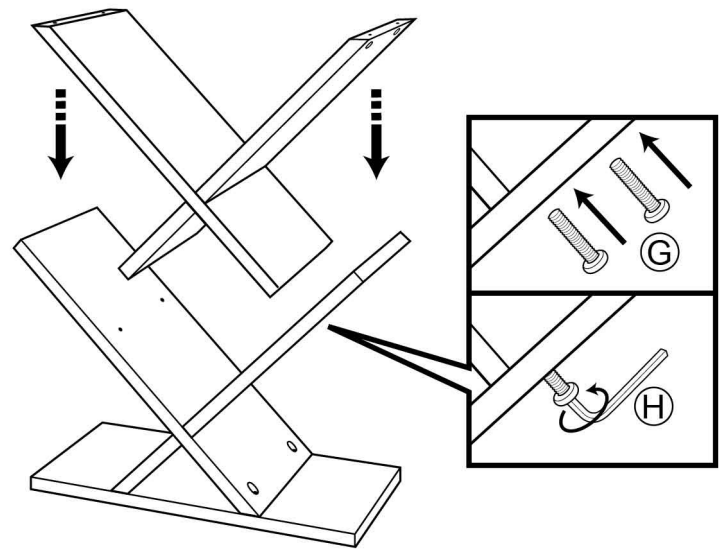
2



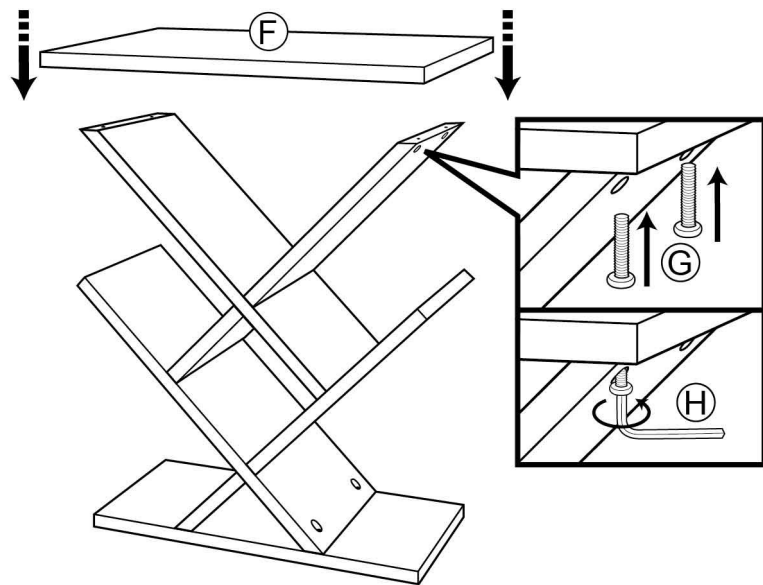
3



4



5



6

