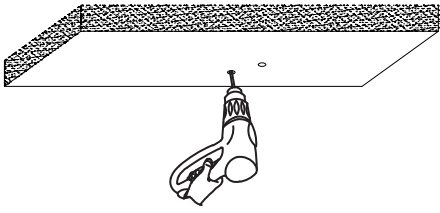


# ASSEMBLY INSTRUCTIONS FOR CYPRESS LED OVAL PENDANT

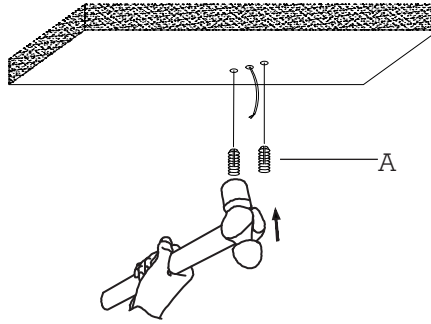
3427-15 1.0

Model # 3427-15

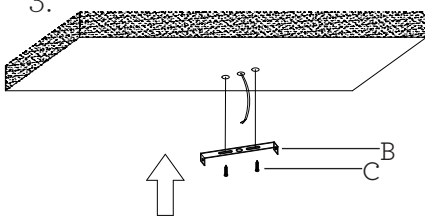
1.



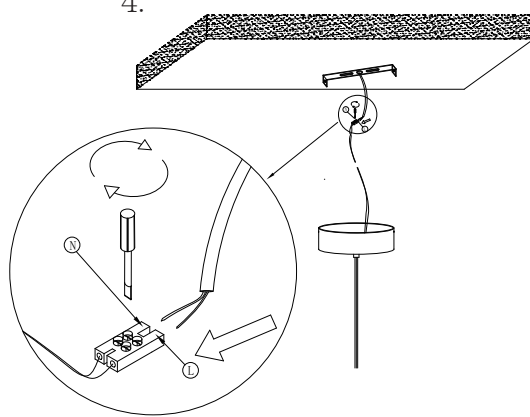
2.



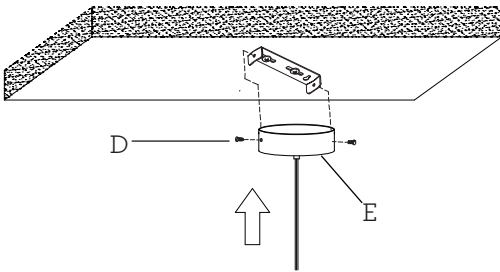
3.



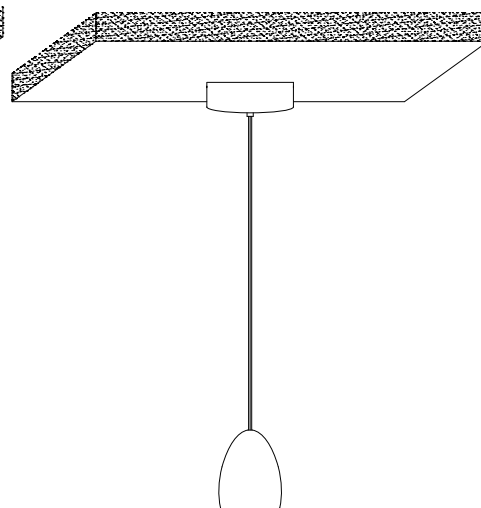
4.



5.



6.



1. Remove all items from packaging. Drill 2 light holes in the wall
2. Nail the plastic bolts (A) into wall.
3. Align holes in mounting plate (B) with holes in plastic bolts (A) and attach with 2 screws (C). Secure screws (C) with a phillips head screwdriver.
4. Connect the neutral fixture wire (N) from the pendant to the neutral wire in junction box (usually white). Connect the hot fixture wire (L) from the pendant to the hot wire in junction box (usually black).
5. Push lamp assembly (E) over the mounting plate (B) until it is flush with the wall. Align holes in lamp assembly (E) with holes in mounting plate (B) and secure with 2 screws (D).

## GENERAL PRODUCT INFORMATION:

This product is suitable  
for dry locations only.



LED: (1) 10 watt LED included.

## PARTS DIAGRAM:

- (2) plastic bolts
- (2) Screws

## Dimmer Recommended

Brand	Parts No.
Lutron	SKYLARK SELV-300P
Lutron	DIVA DVELV-300P
Leviton	lllumaTech IPEO4