



## SUBMITTAL SHEET

### Project Information

Job Name: \_\_\_\_\_

Location: \_\_\_\_\_

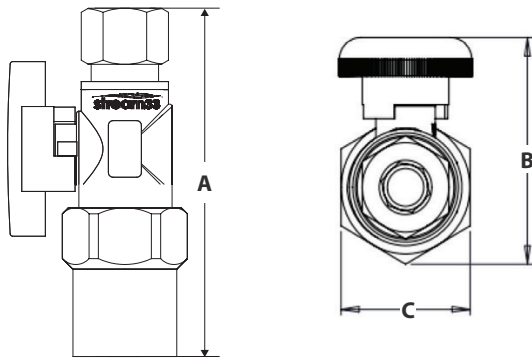
Engineer: \_\_\_\_\_

Contractor: \_\_\_\_\_

P.O. Number: \_\_\_\_\_

Representative: \_\_\_\_\_

Model	ID	Dimensions (In.)		
		A	B	C
S33-EFQTCPVC-7012	.3344931	2.36	1.61	0.94



*Dimensional Drawing is for representation only.*

### FEATURES

- Lead-free chrome-plated brass body
- Quarter-turn handle
- Straight stop valve
- Temperature rating: 41° - 160° F
- Pressure rating: 125 PSI maximum
- Meets or exceeds the following:
  - cUPC
  - NSF/ANSI 61
  - AB1953



### WARRANTY

1-Year warranty. Visit [stream33.com](http://stream33.com) for details.

Material Specifications	
<b>Body</b>	Brass
<b>Stem</b>	Brass
<b>O-Ring</b>	Rubber
<b>Handle</b>	ABS (coated with a chrome finish)
<b>Screw</b>	Stainless Steel
<b>Slip Joint Washer</b>	Brass
<b>Slip Joint Nut</b>	Brass