



SUBMITTAL SHEET

Project Information

Job Name:

Location:

Engineer:

Contractor:

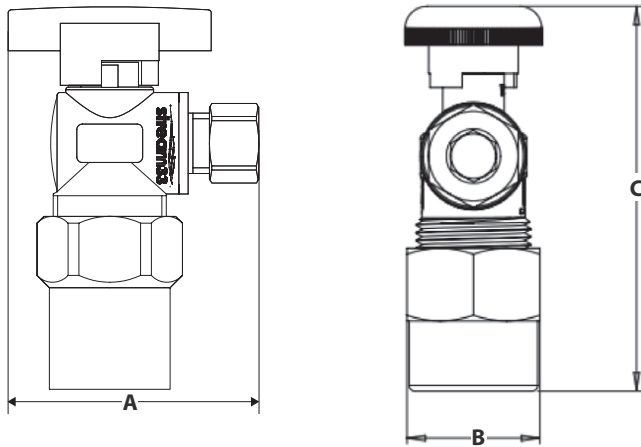
P.O. Number:

Representative:

Model	ID	Dimensions (In.)		
		A	B	C
S33-EFQTASCPVC-1238	.3406733	2.04	0.93	2.32

FEATURES

- Lead-free chrome-plated brass body
- Quarter-turn handle
- Angle stop valve
- Temperature rating: 41° - 160° F
- Pressure rating: 125 PSI maximum
- Meets or exceeds the following:
 - cUPC
 - NSF/ANSI 61
 - AB1953



Dimensional Drawing is for representation only.

WARRANTY

1-Year warranty. Visit stream33.com for details.

Material Specifications	
Body	Brass
Stem	Brass
O-Ring	Rubber
Handle	ABS (coated with a chrome finish)
Screw	Stainless Steel
Slip Joint Washer	Brass
Slip Joint Nut	Brass