

BZ33-PTACHP15-G2

ID# .3473460

COOL/HEAT PUMP

**FEATURES**

- Cools and heats a room up to 700 sq. ft.
- Easy washable filter
- Quiet operation
- Auto defrost
- Auto restart
- Fresh air ventilation
- Auxiliary mode selection
- 20A Power cord included
- Electronic control

15,000 BTU

Quickly cool and heat spaces up to 700 square feet.

QUIET OPERATION

The unit is constructed with a sturdy chassis to reduce vibration and sound transmission.

AUXILIARY MODE

Provides customization, better temperature control, and more functional detail.

ELECTRONIC CONTROL

Precisely control the temperature of the space by easily choosing the temperature setting or fan speed.

AUTO RESTART

In the event of a power failure, the unit will resume normal operation automatically when power returns.

WASHABLE FILTER

Keep the air as fresh as possible and remove residue build-up with an easily washable filter.

| UNIT | ID NO. | MODEL |
|------|----------|------------------|
| PTAC | .3473460 | BZ33-PTACHP15-G2 |

| PERFORMANCE - COOLING | | 208/230 |
|-----------------------|---------|-----------------|
| Capacity | BTU/H | 14,500 / 14,700 |
| EER | BTU/H/W | 10.6 |
| Input | W | 1,370 / 1,390 |
| Current | A | 6.58 / 6.03 |

| PERFORMANCE - HEATING (PTC) | | 208/230 |
|-----------------------------|-------|----------------|
| Capacity (3.4kW) | BTU/H | 8,900 / 10,900 |
| Input | W | 2,900 / 3,535 |
| Current | A | 13.7 / 15.3 |
| MCA | | 20 |

| PERFORMANCE - HEATING (HEAT PUMP) | | 208/230 |
|-----------------------------------|-------|-----------------|
| Capacity | BTU/H | 13,200 / 13,500 |
| Input | W | 1,209 / 1,237 |
| Current | A | 5.82 / 5.38 |
| COP | W/W | 3.2 |

FEATURES

| | |
|-------------------|------------|
| Cooling/Heating | Yes / Yes |
| Control Type | Electronic |
| Energy Saver | No |
| ENERGY STAR® | No |
| Auto Restart | Yes |
| Sleep Mode | No |
| Filter Monitor | No |
| Timer | No |
| Fan Speeds | 3 |
| Slide-out Chassis | Yes |
| Washable Filter | Yes |
| Warranty | Yes* |

SPECIFICATIONS

| | | |
|------------------------------|---------|-----------------|
| Fresh Air Intake (Hi/Med/Lo) | CFM | 374 / 345 / 312 |
| Dehumidification | Pt/Day | 76 |
| Indoor Level (Hi/Med/Lo) | dBA | 53 / 52.5 / 52 |
| Outdoor Level (Hi) | dBA | 67 |
| Cooling Area | Sq. Ft. | 550-700 |
| Refrigerant | | R410A or R32† |

*1 year warranty on parts. 5 year warranty on compressor.

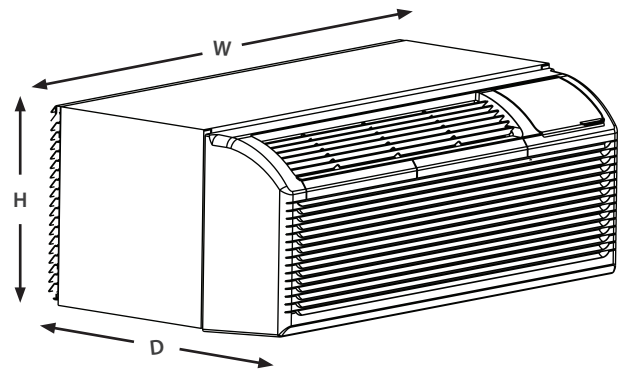
† Refrigerant dependent on model generation.

ELECTRICAL DATA

| | | |
|--------------|---------|------------------|
| Power Supply | V/Hz/Ph | 208-230 / 60 / 1 |
| Plug Type | | LCDI (6-20P) |

DIMENSIONS

| | | |
|----------------------|-----|--------------------------|
| Product (W x D x H) | In | 42 x 23-7/8 x 16 |
| Shipping (W x D x H) | In | 44-1/2 x 24-5/8 x 19-1/4 |
| Net/Gross Weight | Lbs | 116.8 / 126.5 |



RECOMMENDED ACCESSORIES

BZ33-PTACWS .3473461

| | |
|------------------------|---------------------|
| Description | Wall Sleeve, White |
| Dimensions (W x D x H) | In 42 x 14-3/4 x 16 |

BZ33-PTACGRILL1 .3514045

| | |
|------------------------|--------------------------|
| Description | Standard Grille, White |
| Dimensions (W x D x H) | In 41-5/8 x 3/8 x 15-5/8 |

BZ33-PTACGRILL2 .3473463

| | |
|------------------------|-------------------------------------|
| Description | Extruded Architectural Grille, Grey |
| Dimensions (W x D x H) | In 41-3/4 x 1 x 15-1/4 |

LCDI 6-20P

