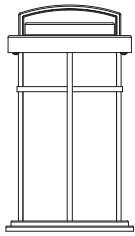




B33TOS8W30BK .3569897

Thank you for purchasing Bright33® Lighting Fixtures!



**TROUBLESHOOTING:**

- Check that line voltage at fixture is correct.
- Ensure that there is voltage at lamp fixture wires. If there is no voltage, then check all connections.
- Check that fixture is grounded properly.

If fixture does not light:

- Check switch to ensure that there are no defects.
- Check fuse/circuit breaker for trips, then check wiring connections.

**CLEANING AND MAINTENANCE:**

CAUTION: Ensure fixture temperature is cool enough to touch. DO NOT clean or perform maintenance while fixture is energized.

- Clean lens and fixture with non-abrasive cleaning solution.
- Do not open fixture to clean LED. Do not touch the LED.
- Do not spray liquid directly on to LED, LED driver or wiring.

**Please read carefully before installing fixture.**

Save these instructions, as you may need them at a later date.

Please follow steps for installation. →



**BRIGHT33® LIGHTING  
10" TRADITIONAL LED  
OUTDOOR SCONCE**

**INSTALLATION INSTRUCTIONS**

Bright33.com

**WARNINGS:**



Turn power off before installation, inspection, or removal. Use all necessary precautions while performing this procedure.



Consult a qualified electrician to ensure correct branch circuit conductor. Min 90°C supply conductors.



Properly ground electrical enclosure. IT IS IMPERATIVE THAT THE OUTLET BOX BE PROPERLY GROUNDED.



DO NOT REVERSE THE HOT AND NEUTRAL CONNECTIONS, OTHERWISE SAFETY WILL BE COMPROMISED.



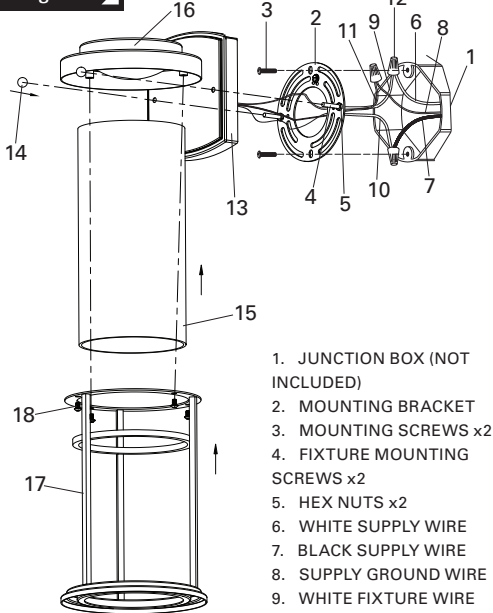
This Integrated LED Fixture has no lamp/bulb to replace.

**GENERAL:** All electrical connections must be in accordance with local and National Electrical Code (N.E.C.) standards. If you are unfamiliar with proper electrical wiring connections, contact and obtain the services of a qualified electrician. Use UL or IEC approved wire only for input/output connections.

Remove fixture and mounting components from the box, and make sure that no parts are missing by referencing the illustration in the installation instructions.

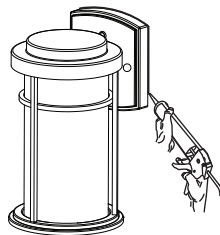
**DIMMING:** This product is compatible with most common residential type dimmers. Dimming performance will depend upon dimmer, dimmer settings (dimmers with adjustments to brightness range), wiring method, and number of LED modules. For best results, set dimmer position at maximum before adjusting to a lower light level.

Figure 1



- |                                |                         |
|--------------------------------|-------------------------|
| 1. JUNCTION BOX (NOT INCLUDED) | 10. BLACK FIXTURE WIRE  |
| 2. MOUNTING BRACKET            | 11. FIXTURE GROUND WIRE |
| 3. MOUNTING SCREWS x2          | 12. WIRE NUTS x3        |
| 4. FIXTURE MOUNTING SCREWS x2  | 13. CANOPY              |
| 5. HEX NUTS x2                 | 14. LOCK-UP KNOBS x2    |
| 6. WHITE SUPPLY WIRE           | 15. GLASS               |
| 7. BLACK SUPPLY WIRE           | 16. FIXTURE HOOD        |
| 8. SUPPLY GROUND WIRE          | 17. FIXTURE CAGE        |
| 9. WHITE FIXTURE WIRE          | 18. THUMB SCREWS x4     |

Figure 2



- 1** SHUT OFF MAIN ELECTRICAL SUPPLY FROM THE MAIN FUSE BOX/CIRCUIT BREAKER!
- 2** Remove contents from box. Ensure that no parts are missing. Reference the illustration included with this instruction manual.
- 3** Pull the SUPPLY WIRES (6 & 7) and the SUPPLY GROUND WIRE (8) out from the JUNCTION BOX (1).
- 4** Thread the FIXTURE MOUNTING SCREWS (4) through the holes in the MOUNTING BRACKET (2).
- 5** Thread the HEX NUTS (5) onto the FIXTURE MOUNTING SCREWS (4). Do not tighten the HEX NUTS (5) at this time.
- 6** Use the included MOUNTING SCREWS (3) to attach the MOUNTING BRACKET (2) to the JUNCTION BOX (1).
- 7** Place the CANOPY (13) over the JUNCTION BOX (1) and onto the FIXTURE MOUNTING SCREWS (4). Adjust the FIXTURE MOUNTING SCREWS (4) until they protrude out from the CANOPY (13) 1/4".
- 8** Remove the CANOPY (13). Then, secure the position of the FIXTURE MOUNTING SCREWS (4) by tightening the HEX NUTS (5) against the MOUNTING BRACKET (2).

**9** Make the following wire connections (Fig.1), using the provided WIRE NUTS (12):  
WHITE (-) SUPPLY WIRE (6) TO WHITE FIXTURE WIRE (9)  
BLACK (+) SUPPLY WIRE (7) TO BLACK FIXTURE WIRE (10)  
SUPPLY GROUND WIRE (8) TO FIXTURE GROUND WIRE (11)  
If necessary, wrap all wire connections in electrical tape to ensure a secure connection.

**10** Carefully tuck wire connections back into JUNCTION BOX (1).

**11** Position the CANOPY (13) over the JUNCTION BOX (1) and feed the FIXTURE MOUNTING SCREWS (4) through the corresponding holes until they protrude through the CANOPY (13). Secure using the LOCK-UP KNOBS (14).

**12** Place the GLASS (15) in the FIXTURE CAGE (17). Then attach the FIXTURE CAGE (17) to the FIXTURE HOOD (16), using the provided THUMB SCREWS (18).

**13** For outdoor installation: after mounting the fixture, caulk the top and side edges between the CANOPY (13) and mounting surface (Fig. 2). Note: leave the bottom edge uncaulked for drainage. Use caulking material rated for exterior use.

**14** Restore power at fuse box/circuit breaker. Check operation of Integrated LED Fixture.

**15** Installation complete.

This device complies with Part 15 of the FCC Rules and has been tested and found to comply with the limits for Class B digital device. Operation is subject to the following two conditions: (1) this device may not cause harmful interference, and (2) this device must accept any interference received, including interference that may cause undesired operation. Any changes or modifications not expressly approved by manufacturer could void user's authority to operate the equipment.

Customer Support: 440-787-2951  
bright33.com





## PRODUCT WARRANTY

Bright33 Products LLC ("Bright33") warrants to the ORIGINAL PURCHASER ("Customer") that this light emitting diode (LED) fixture, including its LED arrays, LED drivers and integral control devices (the "Product"), will be free from defect in the manufacturing of the Product, under use of the Product as recommended by Bright33 within five (5) years of the manufacturing date (the "Warranty Period"). The finish material is warranted for a period of one (1) year. This warranty covers defects in manufacturing discovered while using the product as recommended by the manufacturer. If the Product fails due to defect in manufacturing during the Warranty Period, Bright33 will replace the defective Product or provide a refund, at our discretion.

### WHAT IS NOT COVERED?

This warranty does not cover, and Bright33 is not liable for, damage or loss resulting from accident or acts of God, installation, modification, maintenance or repair of the Product, use of the Product for unintended purpose(s), failure to use the product in accordance with instructions, use of abrasive or organic solvent cleaners on or with the Product, or misuse of the Product. Bright33 recommends using a professional electrician for installation or repair of the Product.

### HOW TO OBTAIN WARRANTY SERVICE

Contact our warranty department at 740-314-1269 to report the defect and obtain a return code. Send failed Product with proof of purchase, name and address within thirty (30) days of failure to:

Bright33 Products LLC  
2620 Ridgewood Rd  
Akron, OH 44313

Bright33 is not responsible for shipping costs of any return. Warranty coverage is conditioned upon Customer's compliance with these instructions regarding warranty service.

### SOLE AND EXCLUSIVE REMEDY – LIMITATION OF LIABILITY AND DAMAGES

THIS WARRANTY IS THE SOLE AND EXCLUSIVE REMEDY OF CUSTOMER FOR ANY CLAIM, DAMAGE OR LOSS RESULTING FROM ANY DEFECT IN THE MANUFACTURING OF THE PRODUCT. Customer's remedy for any warranty claim or other claim for damage or loss shall be limited to Customer's return of the Product to Bright33, in compliance with the instructions herein, and refund of the purchase price or repair or replacement of the nonconforming Product, at Bright33's sole discretion and option. Bright33 shall not be liable for any amount exceeding the purchase price paid by Customer due to any warranty claim or other claim for damage or loss of any kind. UNDER NO CIRCUMSTANCES SHALL BRIGHT33 BE LIABLE FOR ANY INCIDENTAL, CONSEQUENTIAL, SPECIAL, EXEMPLARY OR PUNITIVE DAMAGES.

### DISCLAIMER

THERE ARE NO WARRANTIES WHICH EXTEND BEYOND THE DESCRIPTION ON THE FACE HEREOF. EXCEPT AS EXPLICITLY STATED HEREIN, BRIGHT33 EXPRESSLY DISCLAIMS ALL WARRANTIES, WHETHER WRITTEN, ORAL, EXPRESS OR IMPLIED, TO THE FULLEST EXTENT PERMITTED BY LAW, INCLUDING ANY WARRANTY OF PERFORMANCE, MERCHANTABILITY, FITNESS FOR A PARTICULAR PURPOSE, OR NONINFRINGEMENT. NO REPRESENTATION OR STATEMENT OF ANY EMPLOYEE, MANAGER, DIRECTOR, REPRESENTATIVE, SUBCONTRACTOR OR AGENT OF BRIGHT33 SHALL NEGATE THIS DISCLAIMER.

This Product has been found to comply with Class B digital device specifications, pursuant to part 15 of applicable FCC Rules. Product may cause interference with radio communications if not installed and used in accordance with instructions.