



325 COMMERCE DRIVE
 MT VERNON, OH 43050
 800-253-8236

SPECIFICATION DATA SHEET

DATE: 8-5-13 PAGE: 1
 PREPARED BY: RL

MODEL NO. 671

END BOOT

STANDARD MODEL

DIMENSIONS

SIZE							
A	B	C	D	E	F	G	H
2 1/4" x 10" x 4"			2"	2 1/4"	13 1/4"	6 3/16"	3 11/16"
2 1/4" x 10" x 5"			2"	2"-HEM	12 7/8"	7 3/16"	3 11/16"
2 1/4" x 10" x 6"			2"	2"-HEM	12 3/4"	8 1/2"	4"
2 1/4" x 10" x 6"			3"	2"-HEM	12 3/4"	9 1/2"	5"
2 1/4" x 10" x 7"			2"	2"-HEM	12 7/8"	9 11/16"	4"
2 1/4" x 12" x 4"			2"	2 1/4"	15 1/4"	6 3/16"	3 11/16"
2 1/4" x 12" x 5"			2"	2"-HEM	14 7/8"	7 3/16"	3 15/16"
2 1/4" x 12" x 6"			2"	2"-HEM	14 3/4"	8 1/2"	4"
2 1/4" x 12" x 6"			3"	2"-HEM	14 3/4"	9 1/2"	5"
2 1/4" x 12" x 7"			2"	2"-HEM	14 7/8"	9 11/16"	4"
2 1/4" x 12" x 8"			2"	2"-HEM	14 7/8"	10 3/4"	4"
2 1/4" x 14" x 4"			2"	2 1/4"	17 1/4"	6 3/16"	3 11/16"
2 1/4" x 14" x 5"			2"	2"-HEM	16 7/8"	7 3/16"	3 15/16"
2 1/4" x 14" x 6"			2"	2"-HEM	16 3/4"	8 1/2"	4"
2 1/4" x 14" x 7"			2"	2"-HEM	16 7/8"	9 11/16"	4"
4" x 8" x 4"			2"	2 1/4"	12"	6 1/16"	3 11/16"
4" x 8" x 5"			2"	2"-HEM	11 3/4"	7 1/16"	3 11/16"
4" x 8" x 6"			2"	2"-HEM	11"	8 1/16"	4"
4" x 8" x 6"			7"	2"-HEM	11"	13 1/16"	9"
4" x 8" x 7"			2"	2"-HEM	10 7/8"	9 3/8"	4 1/2"
4" x 8" x 7"			7"	2"-HEM	10 7/8"	14 3/8"	9 1/2"
4" x 10" x 4"			2"	2 1/4"	14"	6 1/16"	3 11/16"

MATERIAL SPECIFICATIONS

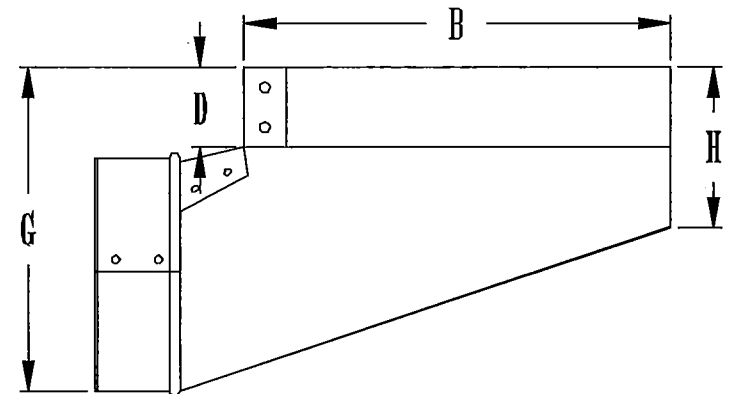
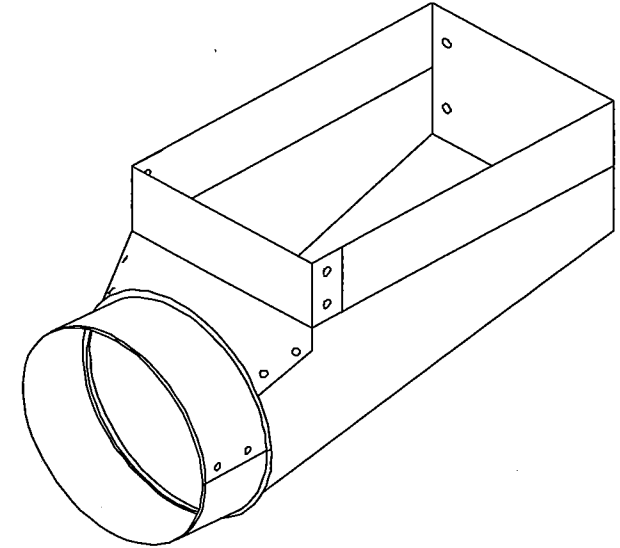
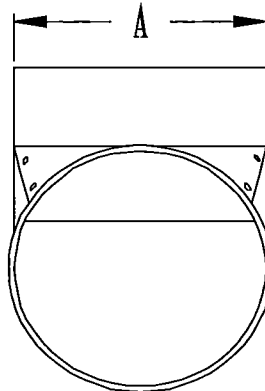
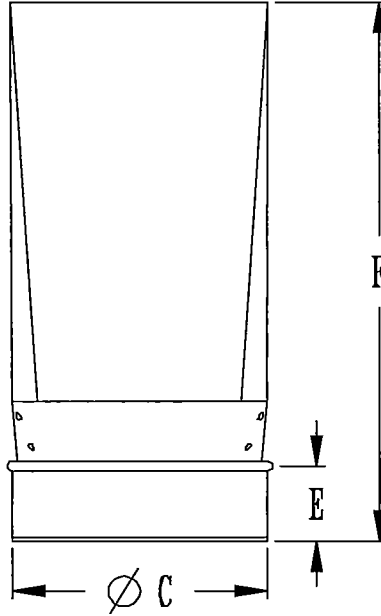
HOT DIPPED GALVANIZED STEEL.
 PER ASTM A 653 CSB.

BODY & COLLAR = 4"-8" COLLAR SIZE: STD GAUGE
 9" - 10" COLLAR SIZE: 28 GAUGE
 ECONO GAUGE ALSO AVAILABLE

ASSEMBLED WITH 1/8" ZINC COATED RIVETS.

OPTIONS

AVAILABLE WITH HEM ON "B" DIMENSION
 AVAILABLE WITH HEM ON "B" DIMENSION & 3/4" SLITS IN CORNERS
 AVAILABLE WITH EARS ON "A" DIMENSION & BRACKETS ON "B" DIMENSION
 AVAILABLE WITH BRACKETS ON BOTH "A" & "B" DIMENSION
 AVAILABLE AS "LOOSE FIT"
 AVAILABLE WITH CRD



JOB: _____
 LOCATION: _____
 CONTRACTOR: _____
 ENGINEER: _____
 NOTES: _____



325 COMMERCE DRIVE
 MT VERNON, OH 43050
 800-253-8236

SPECIFICATION DATA SHEET

DATE: 8-5-13 PAGE: 2
 PREPARED BY: RL

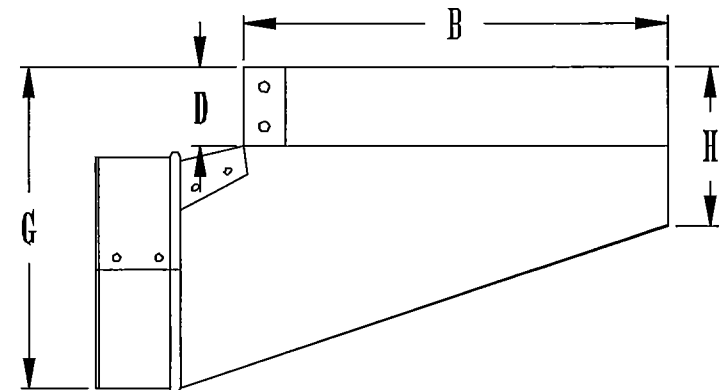
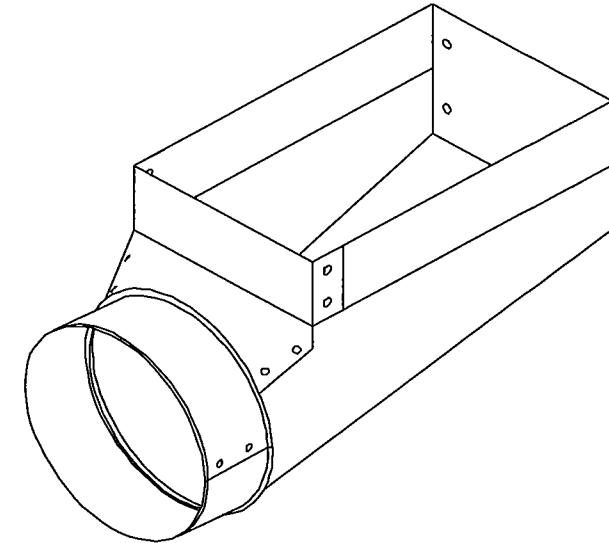
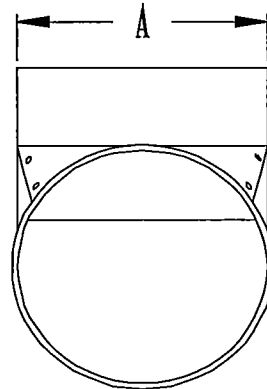
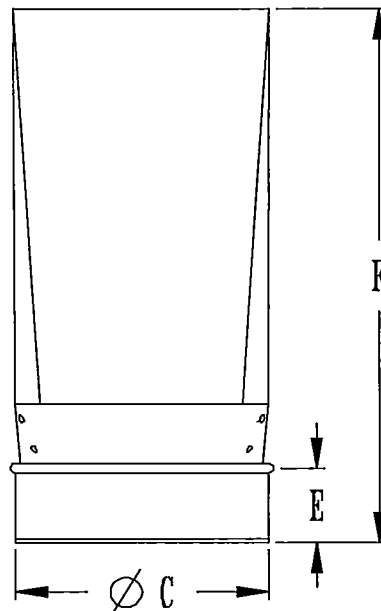
MODEL NO. 671

END BOOT

STANDARD MODEL

DIMENSIONS

SIZE							
A	B	C	D	E	F	G	H
4" x 10" x 5"			2"	2"-HEM	13 3/4"	7 1/16"	3 11/16"
4" x 10" x 5"			3"	2"-HEM	13 3/4"	8 1/16"	4 11/16"
4" x 10" x 6"			1 1/2"	2"-HEM	13"	7 9/16"	3 1/2"
4" x 10" x 6"			2"	2"-HEM	13"	8 1/16"	4"
4" x 10" x 6"			3"	2"-HEM	13"	9 1/16"	5"
4" x 10" x 6"			4"	2"-HEM	13"	10 1/16"	6"
4" x 10" x 6"			5"	2"-HEM	13"	11 1/16"	7"
4" x 10" x 7"			2"	2"-HEM	12 7/8"	9 3/8"	4"
4" x 10" x 7"			3"	2"-HEM	12 7/8"	10 3/8"	5"
4" x 10" x 8"			2"	2"-HEM	13 1/8"	10 1/2"	4"
4" x 12" x 4"			2"	2 1/4"	16"	6 1/16"	3 11/16"
4" x 12" x 5"			2"	2"-HEM	15 3/4"	7 1/16"	3 11/16"
4" x 12" x 6"			2"	2"-HEM	14 3/4"	8 1/2"	4"
4" x 12" x 6"			3"	2"-HEM	14 3/4"	9 1/2"	5"
4" x 12" x 7"			2"	2"-HEM	14 7/8"	9 3/8"	4"
4" x 12" x 7"			3"	2"-HEM	14 7/8"	10 3/8"	5"
4" x 12" x 7"			4"	2"-HEM	14 7/8"	11 3/8"	6"
4" x 12" x 8"			2"	2"-HEM	14 7/8"	10 1/2"	4"
4" x 14" x 6"			2"	2"-HEM	17"	8 1/16"	4"
4" x 14" x 7"			2"	2"-HEM	16 7/8"	9 3/8"	4"
4" x 14" x 8"			2"	2"-HEM	16 7/8"	10 1/2"	4"
6" x 8" x 4"			2"	2 1/4"	12"	6 1/16"	3 11/16"



SPECIFICATIONS

HOT DIPPED GALVANIZED STEEL.
 PER ASTM A 653 CSB.
 BODY & COLLAR = 4"-8" COLLAR SIZE: STD GAUGE
 9" - 10" COLLAR SIZE: 28 GAUGE
 ECONO GAUGE ALSO AVAILABLE
 ASSEMBLED WITH 1/8" ZINC COATED RIVETS.

OPTIONS

AVAILABLE WITH HEM ON "B" DIMENSION
 AVAILABLE WITH HEM ON "B" DIMENSION & 3/4" SLITS IN CORNERS
 AVAILABLE WITH EARS ON "A" DIMENSION & BRACKETS ON "B" DIMENSION
 AVAILABLE WITH BRACKETS ON BOTH "A" & "B" DIMENSION
 AVAILABLE AS "LOOSE FIT"
 AVAILABLE WITH CRD

JOB: _____
 LOCATION: _____
 CONTRACTOR: _____
 ENGINEER: _____
 NOTES: _____



325 COMMERCE DRIVE
 MT VERNON, OH 43050
 800-253-8236

SPECIFICATION DATA SHEET

DATE: 8-5-13 PAGE: 3
 PREPARED BY: RL

MODEL NO. 671

END BOOT

STANDARD MODEL

DIMENSIONS

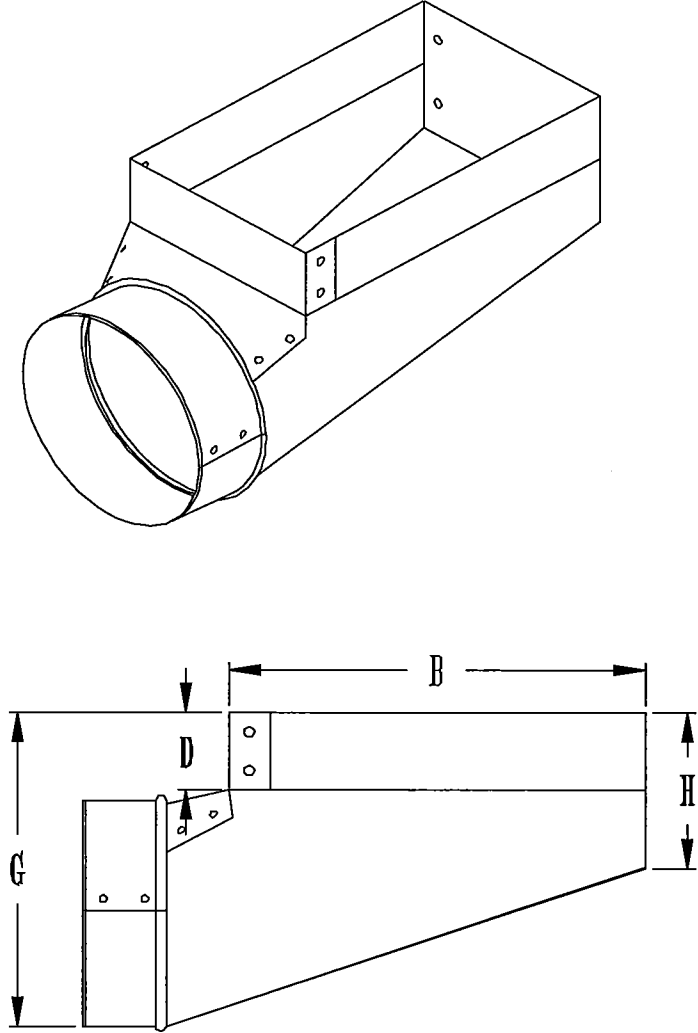
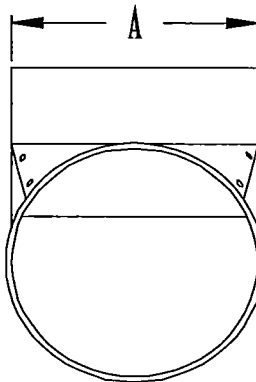
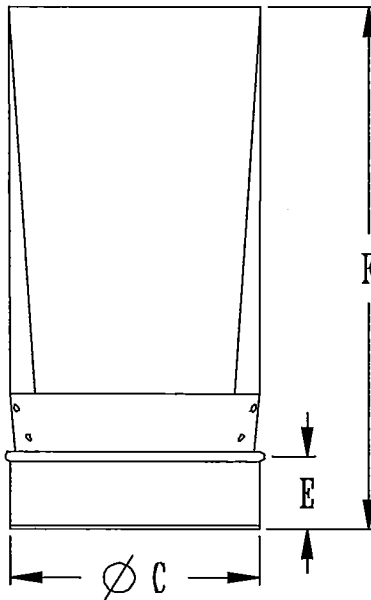
SIZE			D	E	F	G	H
6" x 8" x 5"	2"	2"-HEM	12 1/8"	7 3/16"	3 11/16"		
6" x 8" x 6"	2"	2"-HEM	11 1/4"	8 1/8"	4"		
6" x 8" x 7"	2"	2"-HEM	11 1/4"	9 1/16"	4"		
6" x 10" x 5"	2"	2"-HEM	14 1/8"	7 3/16"	3 11/16"		
6" x 10" x 6"	2"	2"-HEM	13 1/4"	8 1/8"	4"		
6" x 10" x 7"	2"	2"-HEM	13 1/4"	9 1/16"	4"		
6" x 10" x 7"	6"	2"-HEM	13 1/4"	13 1/16"	8"		
6" x 10" x 8"	2"	2"-HEM	13 3/4"	10 1/8"	4 1/2"		
6" x 12" x 6"	2"	2"-HEM	15 1/4"	8 1/8"	4"		
6" x 12" x 7"	2"	2"-HEM	15 1/4"	9 1/16"	4"		
6" x 12" x 8"	2"	2"-HEM	15 3/4"	10 1/8"	4 1/2"		
6" x 12" x 8"	7"	2"-HEM	15 3/4"	15 1/8"	9 1/2"		
6" x 14" x 6"	2"	2"-HEM	17 1/4"	8 1/8"	4"		
6" x 14" x 7"	2"	2"-HEM	17 1/4"	9 1/16"	4"		
6" x 14" x 8"	2"	2"-HEM	17 3/4"	10 1/8"	4 1/2"		
6" x 16" x 10"	5 1/2"	2 1/4"	20"	15 9/16"	9 3/4"		
7" x 8" x 4"	2"	2 1/4"	12"	6 1/16"	3 11/16"		
8" x 12" x 6"	2"	2"-HEM	15 1/4"	8 1/16"	4"		
8" x 12" x 7"	2"	2"-HEM	15 1/4"	9 1/16"	4"		
8" x 12" x 8"	2"	2"-HEM	15 3/4"	10 1/8"	4 1/2"		
8" x 14" x 10"	2"	2 1/4"	17 1/2"	12 1/16"	4"		

MATERIAL SPECIFICATIONS

HOT DIPPED GALVANIZED STEEL.
 PER ASTM A 653 CSB.
 BODY & COLLAR = 4"-8" COLLAR SIZE: STD GAUGE
 9" - 10" COLLAR SIZE: 28 GAUGE
 ECONO GAUGE AVAILABLE
 ASSEMBLED WITH 1/8" ZINC COATED RIVETS.

OPTIONS

AVAILABLE WITH HEM ON "B" DIMENSION
 AVAILABLE WITH HEM ON "B" DIMENSION & 3/4" SLITS IN CORNERS
 AVAILABLE WITH EARS ON "A" DIMENSION & BRACKETS ON "B" DIMENSION
 AVAILABLE WITH BRACKETS ON BOTH "A" & "B" DIMENSION
 AVAILABLE AS "LOOSE FIT"
 AVAILABLE WITH CRD



JOB: _____
 LOCATION: _____
 CONTRACTOR: _____
 ENGINEER: _____
 NOTES: _____