



325 COMMERCE DRIVE
 MT VERNON, OH 43050
 800-253-8236

SPECIFICATION DATA SHEET

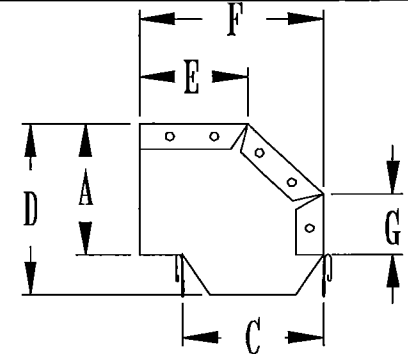
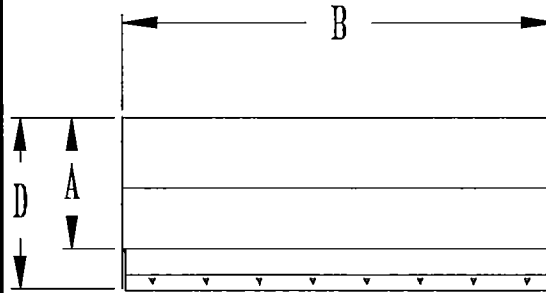
DATE: 3-25-13
 PREPARED BY: RL

MODEL NO. 105 SHORTWAY ELBOW

STANDARD MODEL

DIMENSIONS

SIZE	A	B	C	D	E	F	G	BOOT CLIP SIZE
2 1/4" x 10"	2 1/4"	3 1/4"	2"	3 1/4"	2"	3 1/4"	1"	10"
2 1/4" x 12"	2 1/4"	3 1/4"	2"	3 1/4"	2"	3 1/4"	1"	12"
2 1/4" x 14"	2 1/4"	3 1/4"	2"	3 1/4"	2"	3 1/4"	1"	14"
3 1/4" x 10"	3 1/4"	4 1/4"	2 1/2"	4 1/4"	1 1/2"	4 1/4"	1 1/2"	10"
3 1/4" x 12"	3 1/4"	4 1/4"	2 1/2"	4 1/4"	1 1/2"	4 1/4"	1 1/2"	12"
3 1/4" x 14"	3 1/4"	4 1/4"	2 1/2"	4 1/4"	1 1/2"	4 1/4"	1 1/2"	14"

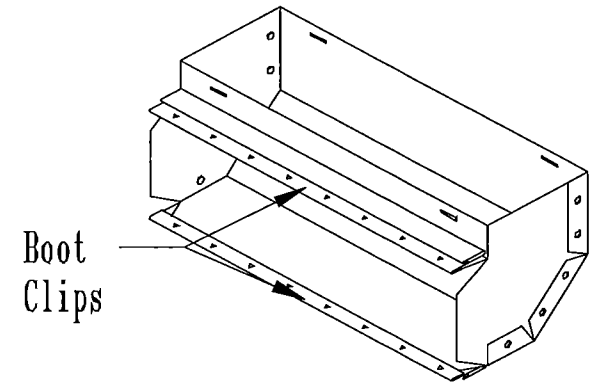
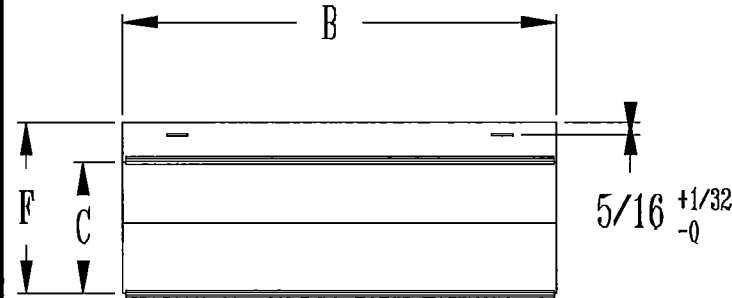


MATERIAL SPECIFICATIONS

HOT DIPPED GALVANIZED STEEL.
 PER ASTM A 653 CSB.

STANDARD GAUGE CONSTRUCTION

BOOT CLIPS ARE STD GAUGE



OPTIONS

AVAILABLE WITH A 3"x4" THROAT

AVAILABLE WITH A 6" EXTENSION

JOB: _____
 LOCATION: _____
 CONTRACTOR: _____
 ENGINEER: _____
 NOTES: _____