



325 COMMERCE DRIVE  
 MT VERNON, OH 43050  
 800-253-8236

**SPECIFICATION DATA SHEET**

DATE: 9-16-13  
 PREPARED BY: RL

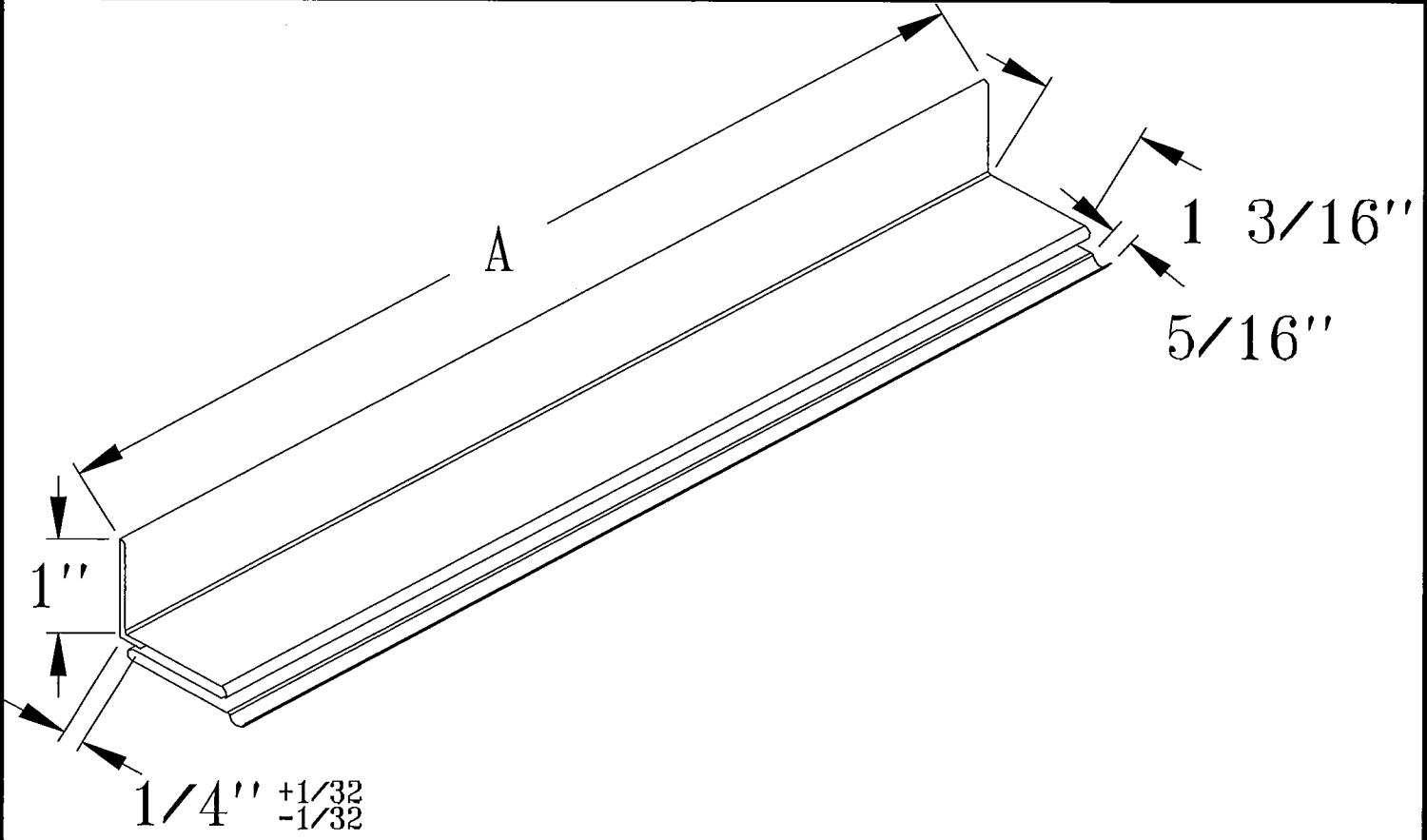
**MODEL NO. 515**

**1" X 1" STANDING S CLEATS**

STANDARD MODEL

**DIMENSIONS**

SIZE	A	GAUGES AVAIL.
1X1X60	60"	26
1X1X120	120"	26, 24



**MATERIAL SPECIFICATIONS**

HOT DIPPED GALVANIZED STEEL.  
 PER ASTM A 653 CSB.

**OPTIONS**

JOB: \_\_\_\_\_  
 LOCATION: \_\_\_\_\_  
 CONTRACTOR: \_\_\_\_\_  
 ENGINEER: \_\_\_\_\_  
 NOTES: \_\_\_\_\_