



**BRADFORD WHITE**<sup>®</sup>  
W A T E R   H E A T E R S

**RESIDENTIAL AND LIGHT DUTY COMMERCIAL  
REPLACEMENT PARTS LIST**

**Atmospheric ICON<sup>®</sup> Gas Control**



BRADFORD WHITE  
**ICON**  
System<sup>®</sup>

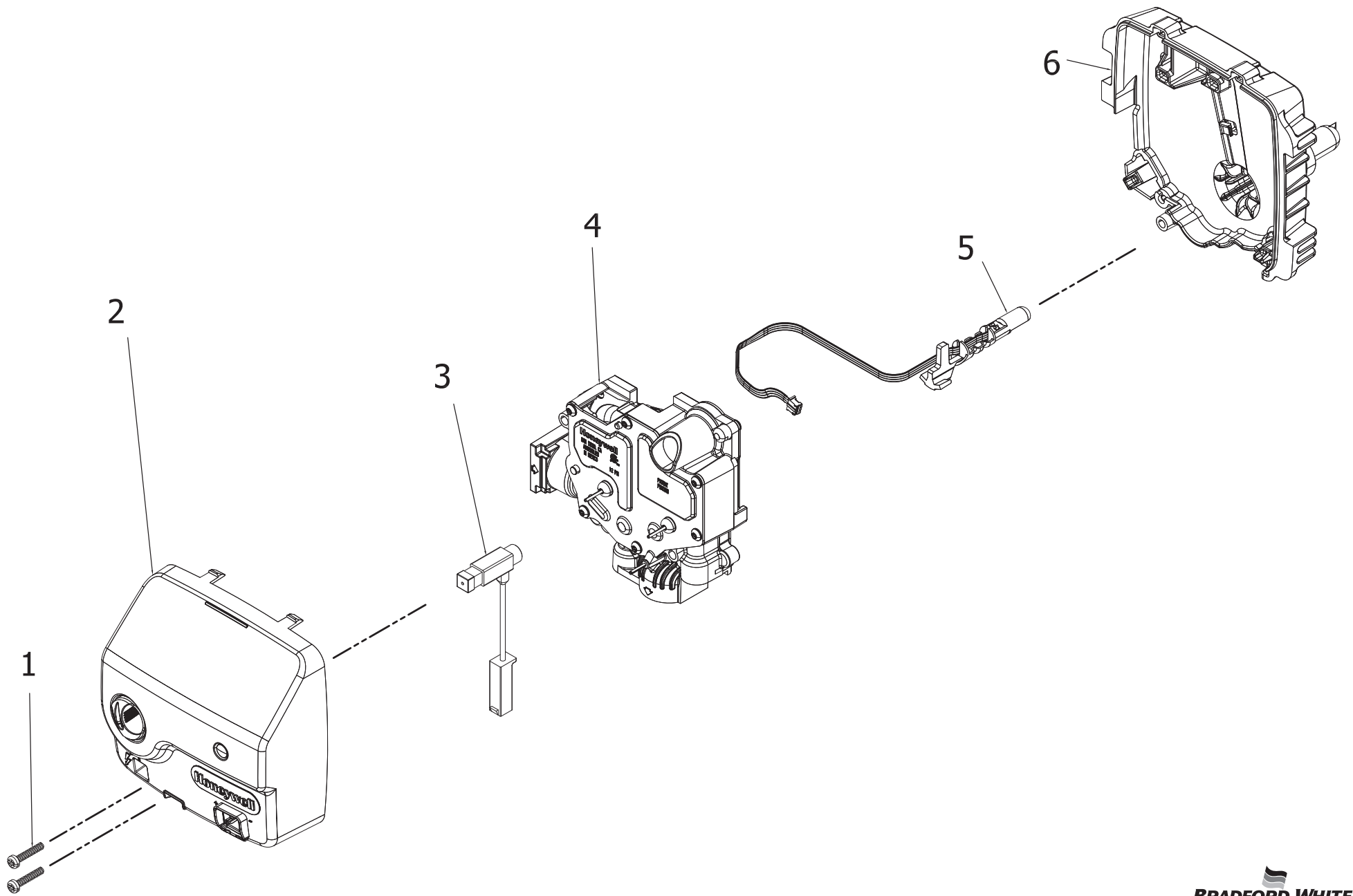
**Effective: June, 2018  
ECO 8195**

**NOTE: BOTH MODEL AND SERIAL  
NUMBERS ARE REQUIRED FOR  
ORDERING REPLACEMENT PARTS**

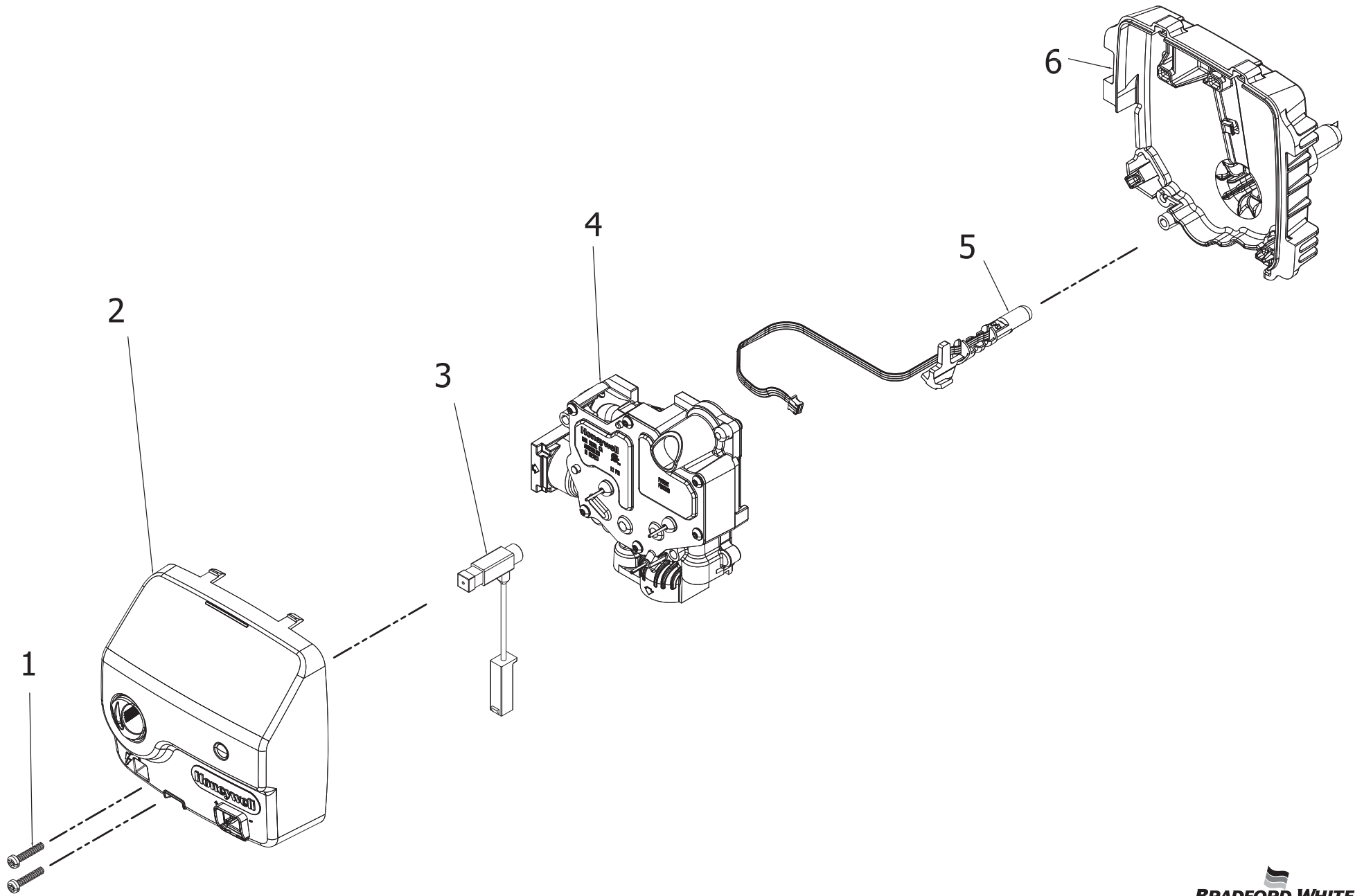
Dimensions and specifications  
subject to change without notice.

**WARNING**  
CANCER AND REPRODUCTIVE HARM  
[WWW.P65WARNINGS.CA.GOV](http://WWW.P65WARNINGS.CA.GOV)

As required by the state of California Proposition 65.



Item Description	222-47463-01	222-47463-02	222-47464-01	222-47464-02
	1" Cavity 160 °F Natural	2" Cavity 160 °F Natural	1" Cavity 180 °F Natural	2" Cavity 180 °F Natural
1 Screw-8 x 3/4 PHCR	239-49699-00	239-49699-00	239-49699-00	239-49699-00
2 Cover-Gas Control	239-48416-01	239-48416-01	239-48416-02	239-48416-02
3 Piezo Ignitor	239-47954-00	239-47954-00	239-47954-00	239-47954-00
4 Valve Body	239-47853-00	239-47853-00	239-47853-00	239-47853-00
5 Insertion Stick	239-47854-01	239-47854-02	239-47854-01	239-47854-02
6 Cover-Rear	239-47855-01	239-47855-02	239-47855-01	239-47855-02



Item Description	222-47465-01	222-47465-02	222-47466-01	222-47466-02
	1" Cavity 160 °F Natural	2" Cavity 160 °F Natural	1" Cavity 180 °F Natural	2" Cavity 180 °F Natural
1 Screw-8 x 3/4 PHCR	239-49699-00	239-49699-00	239-49699-00	239-49699-00
2 Cover-Gas Control	239-48416-01	239-48416-01	239-48416-02	239-48416-02
3 Piezo Ignitor	239-47954-00	239-47954-00	239-47954-00	239-47954-00
4 Valve Body	239-47859-00	239-47859-00	239-47859-00	239-47859-00
5 Insertion Stick	239-47854-01	239-47854-02	239-47854-01	239-47854-02
6 Cover-Rear	239-47860-01	239-47860-02	239-47860-01	239-47860-02



**BRADFORD WHITE®**

W A T E R H E A T E R S

Ambler, PA

For U.S. and Canada field service,  
contact your professional installer or  
local Bradford White sales representative.

**Sales/800-523-2931**  
**Fax/215-641-1670**  
**Parts Fax/215-641-2180**

**Technical Support/800-334-3393**  
**Fax/269-795-1089**

**Warranty/800-531-2111**  
**Fax/269-795-1089**

**International:**  
**Telephone/215-641-9400**  
**Telefax/215-641-9750**



**BRADFORD WHITE™**

W A T E R H E A T E R S

Halton Hills, Ontario, Canada

**Sales & Technical Support/866-690-0961**  
**905-203-0600**

**Fax/905-636-0666**

**Email**

**parts@bradfordwhite.com**  
**techserv@bradfordwhite.com**

**www.bradfordwhite.com**