


BRADFORD WHITE[®]
W A T E R H E A T E R S

REPLACEMENT PARTS LIST

**Residential & Light Duty Commercial Gas
Atmospheric Vent High Input Models**



“RG” & “LG” Models

DEFENDER
SAFETY SYSTEM[®]
FEATURING
BRADFORD WHITE
ICON
System[®]

Includes Hydrojet[®]
Total Performance System

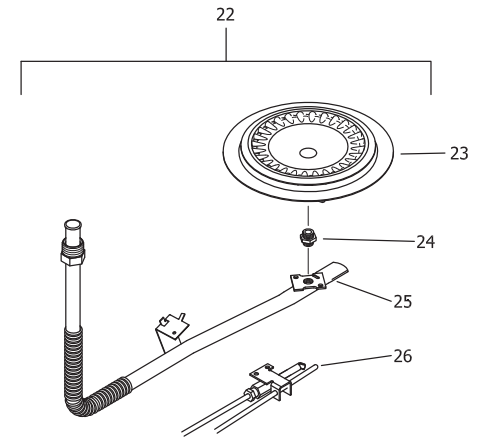
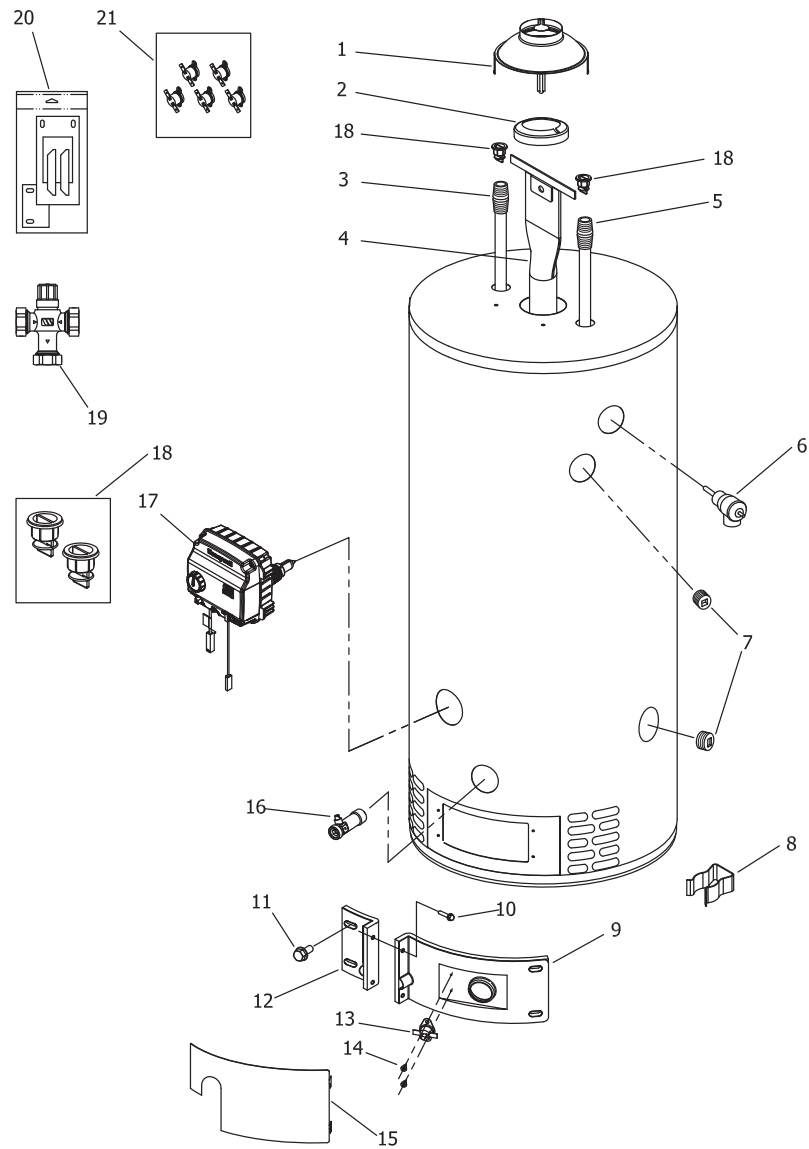
Effective: September, 2019
ECO 8129-1

**NOTE: BOTH MODEL AND SERIAL
NUMBERS ARE REQUIRED FOR
ORDERING REPLACEMENT PARTS**

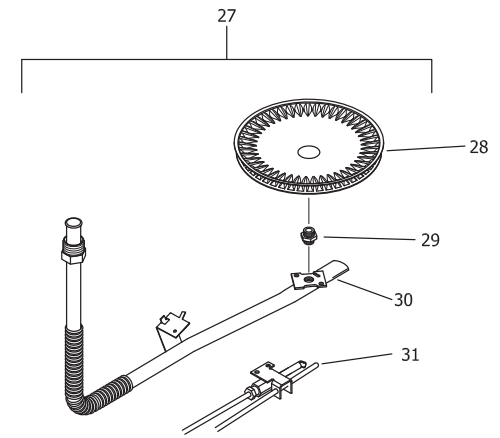
Dimensions and specifications
subject to change without notice.

WARNING
CANCER AND REPRODUCTIVE HARM
WWW.P65WARNINGS.CA.GOV

As required by the state of California Proposition 65.



NATURAL GAS BURNER ASSEMBLY



LP GAS BURNER ASSEMBLY

Item	Description	Model	Model
		RG250H*(N,X)	LG250H65*(N,X)
1	Draft Diverter	239-33081-02-20-15	239-33081-02-20-15
2	Flue Reducer	243-42572-00	243-42572-00
3	Hot Water Outlet Anode (Magnesium)▲#	224-47776-19	224-47776-19
	Hot Water Outlet (Aluminum)▲#	224-32999-28	224-32999-28
	Hot Water Outlet (A420 Aluminum)▲#	224-49560-10	224-49560-10
4	Flue Core	239-51837-00	239-51837-00
5	Cold Water Inlet Dip Tube (PEX)▲	229-45092-06	229-45092-08
6	T&P Relief Valve	230-40594-02	230-40594-02
7	3/4 NPT Pipe Plug	239-11638-00	239-11638-00
8	Feedline Clip	239-47475-00	239-47475-00
9	Right Side Inner Door Complete	239-43963-07	239-43963-07
10	Screw-#8-15 x 3/4 INHXWS	239-44195-00	239-44195-00
11	Screw-#10-12 x 3/4 HWH	239-44113-00	239-44113-00
12	Left Side Inner Door Complete	239-43968-18	239-43968-18
13	Resettable Thermal Switch	239-43676-02	239-43676-02
14	Screw-#6-20 x 3/8 PHCR	239-43967-00	239-43967-00
15	Outer Door	243-43962-00	243-43962-00
16	Brass Drain Valve	265-42351-02	265-42351-02
17	Gas Control Direct Replacement (Nat. Gas)	415-52907-02	415-52908-02
	Gas Control Direct Replacement (LP Gas)	415-52909-02	415-52910-02
	Gas Control Universal Replacement (Nat. Gas)	415-53359-00	415-53359-00
	Gas Control Universal Replacement (LP Gas)	415-53360-00	415-53360-00
18	Kit-Heat Trap Insert (Inlet & Outlet)	265-45420-00	265-51572-00
19	ASSE Approved Mixing Valve (Optional)	239-51778-00	239-51778-00
20	Inner Door Gasket Kit	239-44078-00	239-44078-00
21	Resettable Thermal Switch Kit (5 pcs.)	265-48643-02	265-48643-02
	Natural Gas Burner Assembly		
22	Nat Gas Burner Assembly Complete*** **	265-47439-05-27	265-47439-05-27
23	Nat. Gas Burner**	228-42506-00	228-42506-00
24	Nat. Gas Main Burner Orifice** (0 Ft. to 2,000 Ft.)	234-41034-27	234-41034-27
	Nat. Gas High Altitude Orifice 0 Ft. to 7000 Ft. (-475 model suffixes) **	234-41034-30	234-41034-30
	Nat. Gas High Altitude Kit 7,001 Ft. to 10,000 Ft.	265-51311-02-31	265-51311-02-31
25	Feedline	233-48094-04	233-48094-04
26	Nat. Gas Pilot Assembly**	233-47845-05	233-47845-05
	LP Gas Burner Assembly		
27	LP Gas Burner Assembly Complete*** **	265-47440-12-43	265-47440-12-43
28	LP Gas Burner**	228-47000-00	228-47000-00
29	LP Gas Main Burner Orifice**	234-47064-43	234-47064-43
	LP Gas High Altitude Orifice 0 Ft. to 7,000 Ft. (-475 model suffixes) **	234-47064-46	234-47064-46
	LP Gas High Altitude Orifice 7,001 Ft. to 10,000 Ft.**	265-51367-02-48	265-51367-02-48
30	Feedline	233-47108-04	233-47108-04
31	LP Gas Pilot Assembly**	233-47846-04	233-47846-04
	LP to Nat. Gas Conversion Kit	265-45712-82	265-45712-86
	LP to Nat. Gas High Altitude Conversion Kit (-475 model suffixes)	265-45712-83	265-45712-87

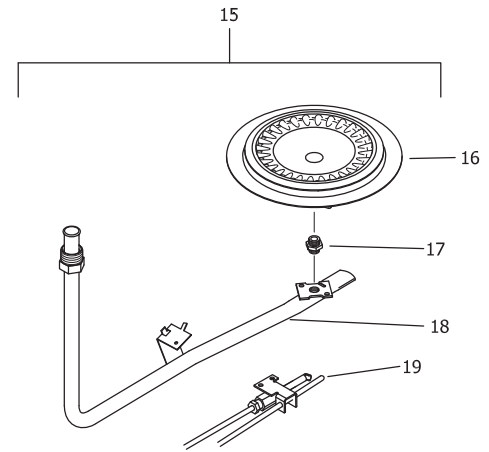
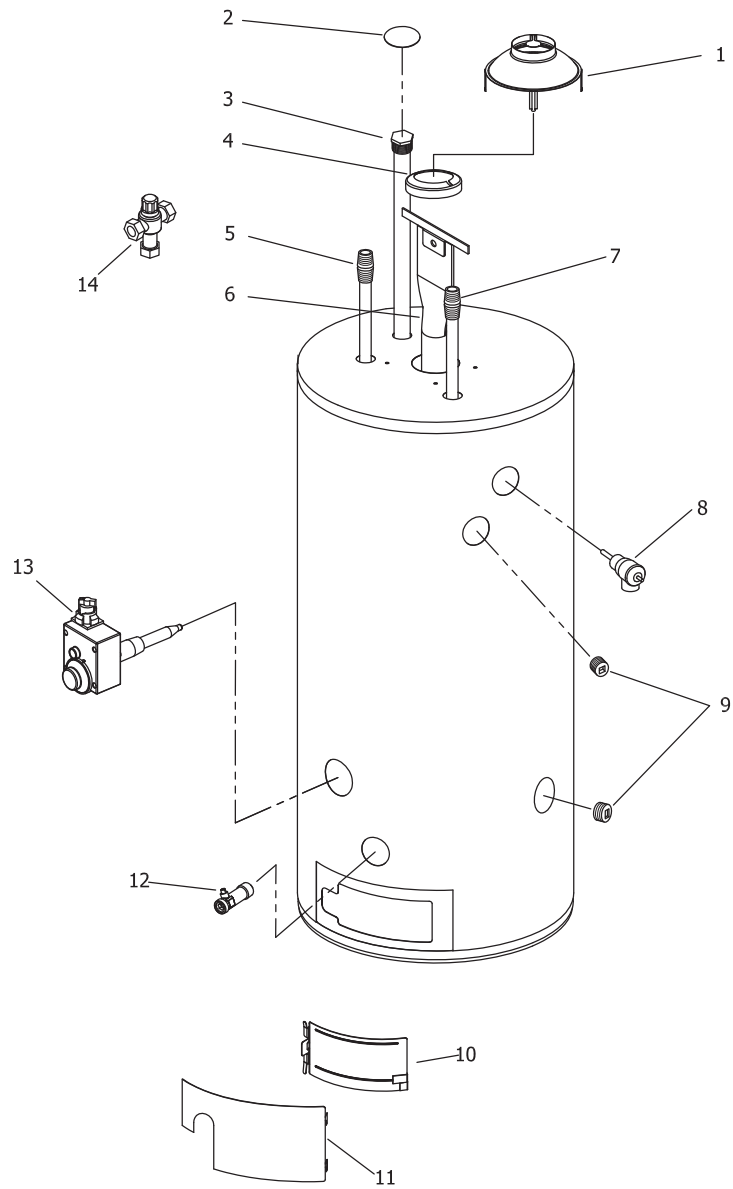
*Applies to all warranties

**Inner door gasket kit recommended

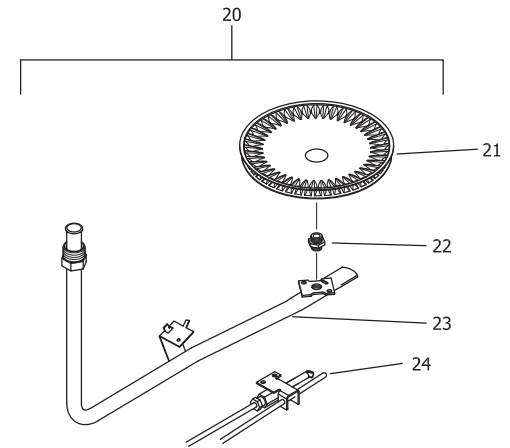
***Ordering a complete burner assembly may increase delivery time.
Please order the specific component required for the quickest delivery.

#Anode may need to be cut to length, please see page 12 reference chart of anode length by model.

▲Order with item 20



NATURAL GAS BURNER ASSEMBLY



LP GAS BURNER ASSEMBLY

Item	Description	Model	Model
		RG155H*(N,X)	LG155H80*(N,X)
1	Draft Diverter	239-33081-02-20-15	239-33081-02-20-15
2	Hole Closure	239-31547-02	239-31547-02
3	Hex head Sacrificial Anode (Magnesium) #	224-47782-08	224-47782-08
	Hex head Sacrificial Anode (Aluminum) #	224-38508-07	224-38508-07
	Hex head Sacrificial Anode (A420 Aluminum) #	224-49559-04	224-49559-04
4	Flue Reducer	243-42572-00	243-42572-00
5	Hot Water Outlet Anode (Magnesium) #	224-47776-13	224-47776-13
	Hot Water Outlet Anode (Aluminum) #	224-32999-13	224-32999-13
	Hot Water Outlet Anode (A420 Aluminum) #	224-49560-05	224-49560-05
6	Flue Core	239-45676-00	239-45676-00
7	Cold Water Inlet Dip Tube (Polysulfone)	229-45092-02	229-45092-02
8	T&P Relief Valve	230-40594-02	230-40594-02
9	3/4 NPT Pipe Plug	239-11638-00	239-11638-00
10	Inner Door Assembly	243-46049-00	243-46049-00
11	Outer Door	243-41061-00	243-41061-00
12	Brass Drain Valve	265-42351-02	265-42351-02
13	Gas Control Direct Replacement (Natural Gas)	265-47444-01	265-47444-01
	Gas Control Direct Replacement (LP Gas)	265-47445-01	265-47445-01
14	ASSE Approved Mixing Valve (Optional)	239-51778-00	239-51778-00
	<u>Natural Gas Burner Assembly</u>		
15	Nat Gas Burner Assembly Complete***	265-46004-03-20	265-46004-03-20
16	Nat. Gas Burner**	228-42506-00	228-42506-00
17	Nat. Gas Main Burner Orifice 0 Ft. to 2,000 Ft.**	234-41034-20	234-41034-20
	Nat. Gas High Altitude 0 Ft. to 7000 Ft. (-475 model suffixes)**	234-41034-26	234-41034-26
	Nat. Gas High Altitude Kit 7,001 Ft. to 10,000 Ft.	265-51311-02-29	265-51311-02-29
18	Feedline **	233-43660-15	233-43660-15
19	Nat. Gas Pilot Assembly**	233-40248-05	233-40248-05
	<u>LP Gas Burner Assembly</u>		
20	LP Gas Burner Assembly Complete***	265-47037-03-38	265-47037-03-38
21	LP Gas Burner**	228-46938-00	228-46938-00
22	LP Gas Main Burner Orifice 0 Ft. to 2,000 Ft.**	234-47064-38	234-47064-38
	LP Gas High Altitude Orifice 0 Ft. to 7,000 Ft. (-475 model suffixes)**	234-47064-42	234-47064-42
	LP Gas High Altitude Kit 7,001 Ft. to 10,000 Ft.	265-51367-02-44	265-51367-02-44
23	Feedline**	233-46939-02	233-46939-02
24	LP Gas Pilot Assembly**	233-40261-03	233-40261-03
	LP to Nat. Gas Conversion Kit	265-45713-04	265-45713-04
	LP to Nat. Gas High Altitude Conversion Kit	265-45713-06	265-45713-06

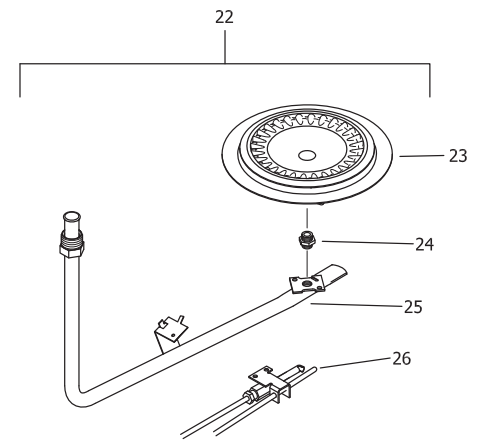
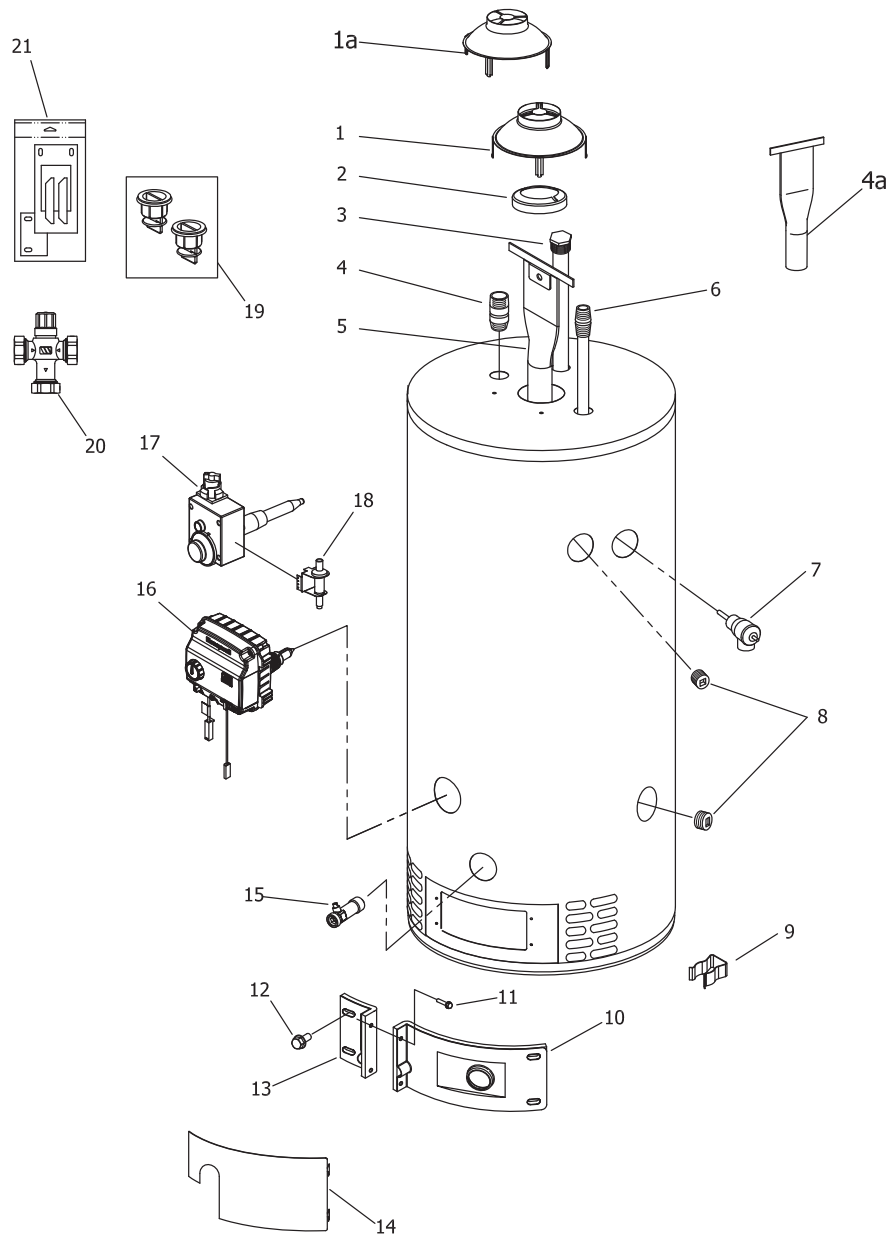
*Applies to all warranties

** Inner Door Gasket Kit Recommended

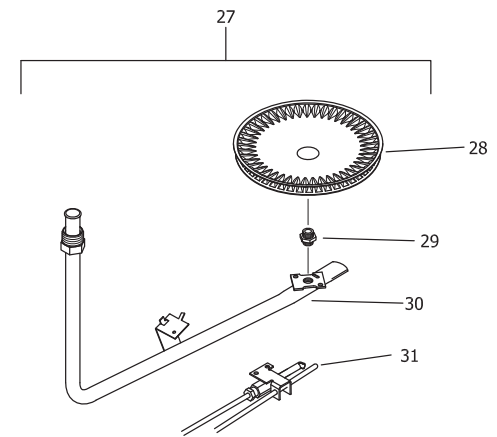
***Ordering a complete burner assembly may increase delivery time.

Please order the specific component required for the quickest delivery.

#Anode may need to be cut to length, please see page 12 reference chart of anode length by model.



NATURAL GAS BURNER ASSEMBLY



LP GAS BURNER ASSEMBLY

Item Description	Model	Model	Model	Model
	RG275H*(N,X)	LG275H76*(N,X)	RG275H*(N,X)-500	LG275H76*(N,X)-500
1 Draft Diverter ■	239-12950-00	239-12950-00	239-12950-00	239-12950-00
1a Draft Diverter ►	243-33081-01	243-33081-01	243-33081-01	243-33081-01
2 Flue Reducer	243-42572-00	243-42572-00	243-42572-00	243-42572-00
3 Hex head Sacrificial Anode (Magnesium) #	224-47782-08	224-47782-08	224-47782-08	224-47782-08
Hex head Sacrificial Anode (Aluminum) #	224-38508-07	224-38508-07	224-38508-07	224-38508-07
Hex head Sacrificial Anode (A420 Aluminum) #	224-49559-04	224-49559-04	224-49559-04	224-49559-04
4 Outlet Nipple 1 NPT X 2 1/2"	229-50053-02	229-50053-02	229-50053-02	229-50053-02
5 Flue Core ►	239-50666-00	239-50666-00	239-50666-00	239-50666-00
6 Cold Water Inlet Dip Tube (Polysulfone)	229-47040-01	229-47040-01	229-47040-01	229-47040-01
7 T&P Relief Valve	230-40594-02	230-40594-02	230-40594-02	230-40594-02
8 3/4 NPT Pipe Plug	239-11638-00	239-11638-00	239-11638-00	239-11638-00
9 Feedline Clip	239-47475-00	239-47475-00	239-47475-00	239-47475-00
10 Right Side Inner Door Complete	239-47504-22	239-47504-22	239-47504-22	239-47504-22
11 Screw-#8-15 x 3/4 INHXWS	239-44195-00	239-44195-00	239-44195-00	239-44195-00
12 Screw-#10-12 x 3/4 HWH	239-44113-00	239-44113-00	239-44113-00	239-44113-00
13 Left Side Inner Door Complete	239-43968-20	239-43968-20	239-43968-20	239-43968-20
14 Outer Door	243-43962-00	243-43962-00	243-43962-00	243-43962-00
15 Brass Drain Valve	265-42351-02	265-42351-02	265-42351-02	265-42351-02
16 Honeywell Gas Control Direct Replacement (Natural Gas)	415-53361-03	415-53361-05	---	---
Honeywell Gas Control Direct Replacement (LP Gas)	415-53361-04	415-53361-06	---	---
17 White Rodgers Gas Control Direct Replacement (Natural Gas)	---	---	265-40251-03	265-46365-02
White Rodgers Gas Control Direct Replacement (LP Gas)	---	---	265-40258-03	265-46366-02
18 Piezo Igniter Kit	---	---	243-43450-00	243-43450-00
19 Kit-Heat Trap Insert (Inlet & Outlet)	265-51572-00	265-51572-00	265-51572-00	265-51572-00
20 ASSE Approved Mixing Valve (Optional)	239-51778-00	239-51778-00	239-51778-00	239-51778-00
21 Inner Door Gasket Kit	239-47792-00	239-47792-00	239-47792-00	239-47792-00
Natural Gas Burner Assembly				
22 Nat Gas Burner Assembly Complete***	265-48110-05-22	265-48110-05-22	265-47767-02-22	265-47767-02-22
23 Nat. Gas Burner **	228-47000-00	228-47000-00	228-47000-00	228-47000-00
24 Nat. Gas Main Burner Orifice 0 Ft. to 2,000 Ft.**	234-41034-22	234-41034-22	234-41034-22	234-41034-22
Nat. Gas High Altitude 0 Ft. to 7000 Ft. (-475 model suffixes) **	234-41034-27	234-41034-27	234-41034-27	234-41034-27
Nat. Gas High Altitude Kit 7,001 Ft. to 10,000 Ft.	265-51311-01-29	265-51311-01-29	265-51311-01-29	265-51311-01-29
25 Feedline **	233-48095-04	233-48095-04	233-48095-04	233-48095-04
26 Nat. Gas Pilot Assembly **	233-48077-03	233-48077-03	233-41062-03	233-41062-03
LP Gas Burner Assembly				
27 LP Gas Burner Assembly Complete***	265-48254-02-38	265-48254-02-38	265-47768-02-38	265-47768-02-38
28 LP Gas Burner **	228-46938-00	228-46938-00	228-46938-00	228-46938-00
29 LP Gas Main Burner Orifice 0 Ft. to 2,000 Ft.**	234-47064-38	234-47064-38	234-47064-38	234-47064-38
LP Gas High Altitude 0 Ft. to 7,000 Ft. (-475 model suffixes) **	234-47064-42	234-47064-42	234-47064-42	234-47064-42
LP Gas High Altitude Kit 7,001 Ft. to 10,000 Ft.	265-51367-03-44	265-51367-03-44	265-51367-03-44	265-51367-03-44
30 Feedline **	233-47677-04	233-47677-04	233-47677-04	233-47677-04
31 LP Gas Pilot Assembly **	233-48078-03	233-48078-03	233-41063-03	233-41063-03
LP to Nat. Gas Conversion Kit	265-53403-07	265-53403-09	265-45754-02	265-45754-07
LP to Nat. Gas High Altitude Conversion Kit	265-53403-11	265-53403-11	265-45754-05	265-45754-05

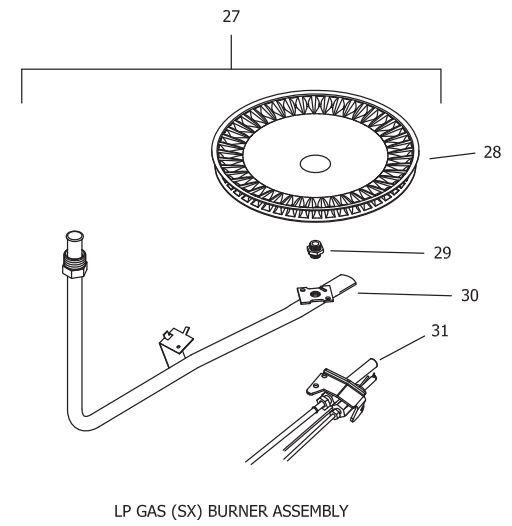
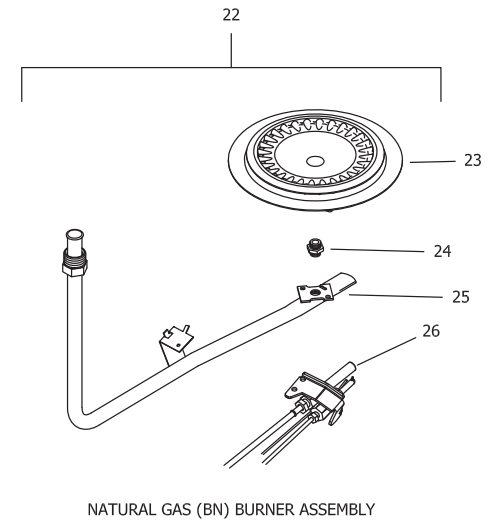
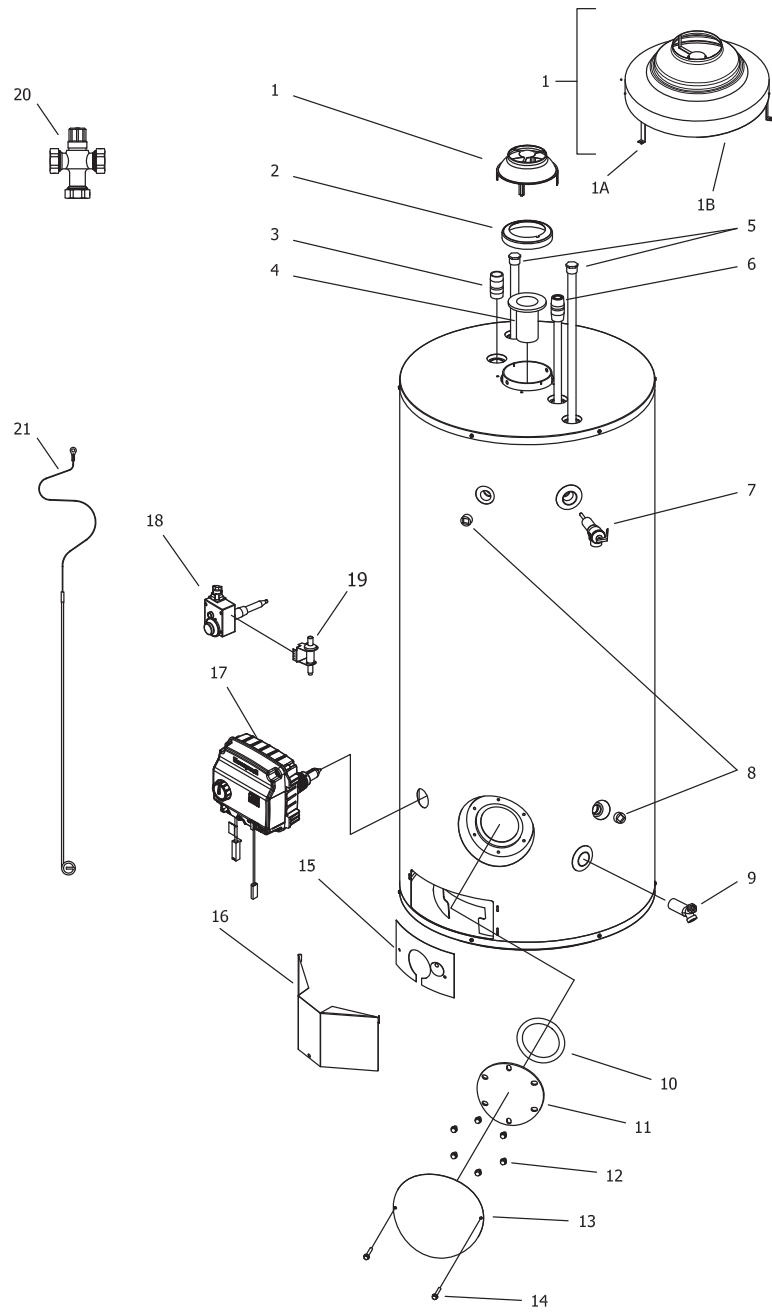
- For serial numbers starting before "XX"
- For serial numbers starting with or after "XX"

#Anode may need to be cut to length, please see page 12 reference chart of anode length by model.

*Applies to all warranties

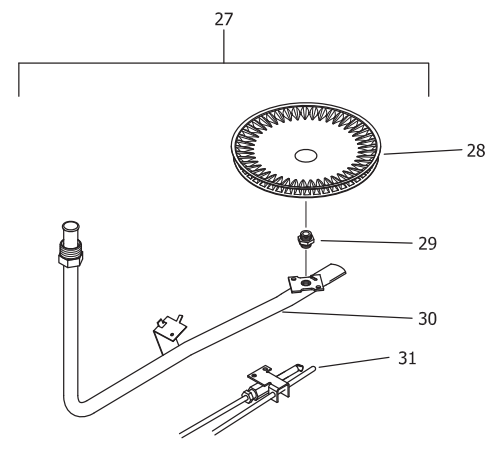
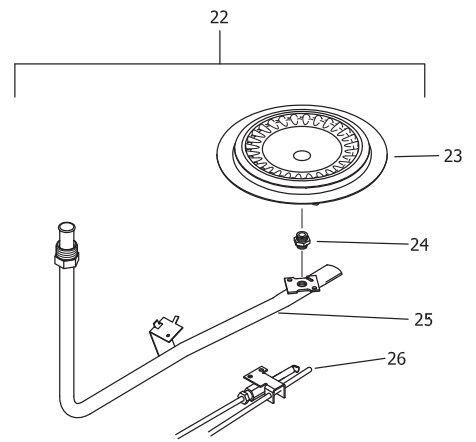
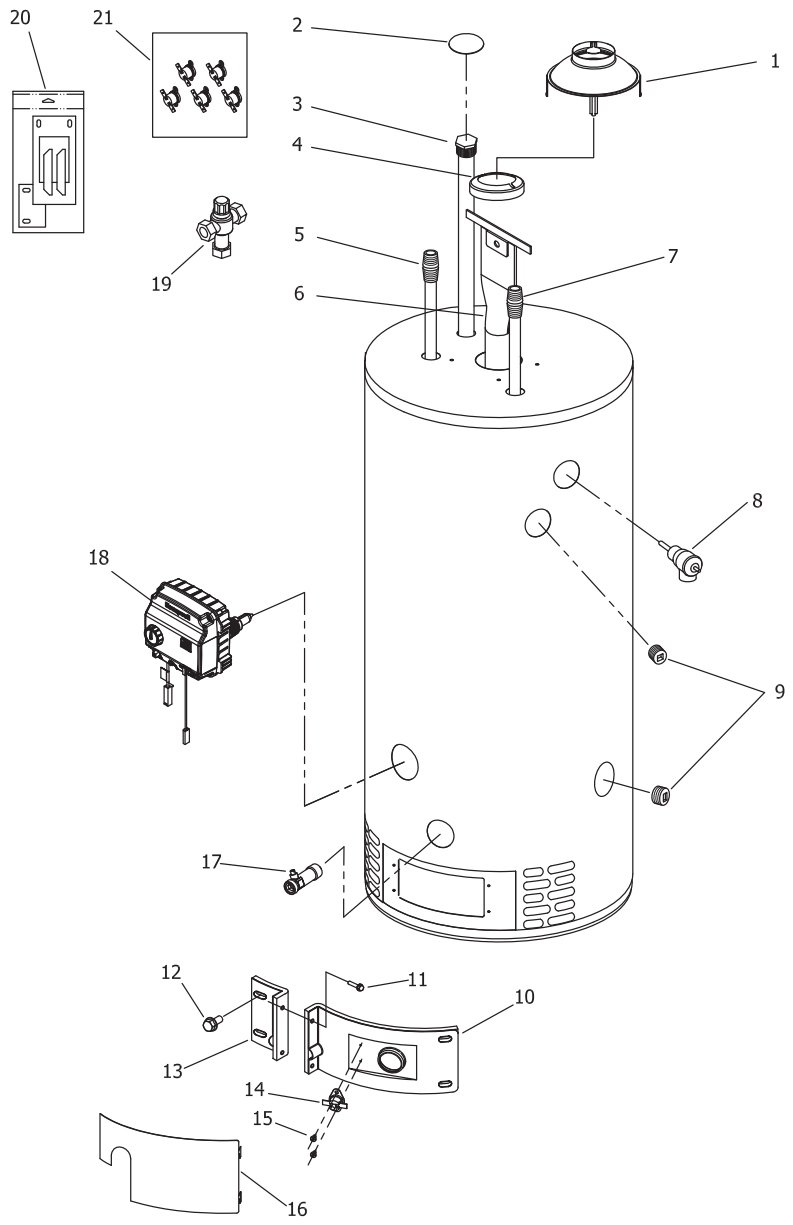
** Inner Door Gasket Kit Recommended

***Ordering a complete burner assembly may increase delivery time.
Please order the specific component required for the quickest delivery.



Item Description	Model	Model	Model	Model
	RG2100H*(N,X)	LG2100H*85(N,X)	RG2100H*(N,X)-500	LG2100H*85(N,X)-500
1 Draft Diverter assembly kit ▶	265-52089-00	265-52089-00	265-52089-00	265-52089-00
1A Draft Diverter Leg Kit Only▶	243-43689-03	243-43689-03	243-43689-03	243-43689-03
1B Draft Diverter Only▶	239-52089-00-16	239-52089-00-16	239-52089-00-16	239-52089-00-16
2 Flue Reducer	243-36920-00	243-36920-00	243-36920-00	243-36920-00
3 Outlet Nipple	229-40913-03	229-40913-03	229-40913-03	229-40913-03
4 Flue Core ▶	239-52063-00	239-52063-00	239-52063-00	239-52063-00
5 Hex head Sacrificial Anode (x2) (Magnesium) #	224-47782-08	224-47782-08	224-47782-08	224-47782-08
Hex head Sacrificial Anode (x2) (Aluminum) #	224-38508-07	224-38508-07	224-38508-07	224-38508-07
Hex head Sacrificial Anode (x2) (A420 Aluminum) #	224-49559-04	224-49559-04	224-49559-04	224-49559-04
6 Cold Water Inlet Dip Tube (Polysulfone)	229-46993-01	229-46993-01	229-46993-01	229-46993-01
7 T&P Relief Valve	230-40594-02	230-40594-02	230-40594-02	230-40594-02
8 3/4 NPT Pipe Plug	239-11638-00	239-11638-00	239-11638-00	239-11638-00
9 Brass Drain Valve	265-42351-02	265-42351-02	265-42351-02	265-42351-02
10 Cleanout O-Ring Gasket	205-18427-00	205-18427-00	205-18427-00	205-18427-00
11 Cleanout Cover	205-18428-00	205-18428-00	205-18428-00	205-18428-00
12 Cleanout Screw 5/16-18x1/2 hex (x6)	239-82166-00	239-82166-00	239-82166-00	239-82166-00
13 Cleanout Jacket Cover	243-20299-00	243-20299-00	243-20299-00	243-20299-00
14 Cleanout Jacket Cover Screw 1/2-13x1 1/4 (x2)	239-43251-00	239-43251-00	239-43251-00	239-43251-00
15 Inner Door Complete	243-39207-00	243-39207-00	243-39207-00	243-39207-00
16 Outer Door	243-37177-00	243-37177-00	243-37177-00	243-37177-00
17 Honeywell Gas Control Direct Replacement (Natural Gas)	415-53361-03	415-53361-05	---	---
Honeywell Gas Control Direct Replacement (LP Gas)	415-53361-04	415-53361-06	---	---
18 White Rodgers Gas Control Direct Replacement (Natural Gas)	---	---	265-40251-07	265-46365-04
White Rodgers Gas Control Direct Replacement (LP Gas)	---	---	265-40258-06	265-46366-03
19 Piezo Igniter Kit	---	---	243-43450-00	243-43450-00
20 ASSE Approved Mixing Valve (Optional)	239-51778-00	239-51778-00	239-51778-00	239-51778-00
21 Match holder with cable	---	---	239-39336-00	239-39336-00
<u>Natural Gas Burner Assembly</u>				
22 Nat Gas Burner Assembly Complete***	265-52024-00-18	265-52024-00-18	265-52047-00-18	265-52047-00-18
23 Nat. Gas Burner **	228-52013-00	228-52013-00	228-52013-00	228-52013-00
24 Nat. Gas Main Burner Orifice 0 Ft. to 2,000 Ft.**	234-41034-18	234-41034-18	234-41034-18	234-41034-18
Nat. Gas High Altitude 0 Ft. to 7000 Ft. (-475 model suffixes) **	234-41034-23	234-41034-23	234-41034-23	234-41034-23
Nat. Gas High Altitude Kit 7,001 Ft. to 10,000 Ft.	265-51311-03-27	265-51311-03-27	265-51311-03-27	265-51311-03-27
25 Feedline **	233-48209-01	233-48209-01	233-48209-01	233-48209-01
26 Nat. Gas Pilot Assembly **	233-48077-03	233-48077-03	233-40248-05	233-40248-05
<u>LP Gas Burner Assembly</u>				
27 LP Gas Burner Assembly Complete***	265-48255-01-35	265-48255-01-35	265-47013-01-35	265-47131-01-35
28 LP Gas Burner **	228-46938-00	228-46938-00	228-46938-00	228-46938-00
29 LP Gas Main Burner Orifice 0 Ft. to 2,000 Ft.**	234-47064-35	234-47064-35	234-47064-35	234-47064-35
LP Gas High Altitude 0 Ft. to 7,000 Ft. (-475 model suffixes) **	234-47064-39	234-47064-39	234-47064-39	234-47064-39
LP Gas High Altitude Kit 7,001 Ft. to 10,000 Ft.	265-51367-01-42	265-51367-01-42	265-51367-01-42	265-51367-01-42
30 Feedline **	233-47065-02	233-47065-02	233-47065-02	233-47065-02
31 LP Gas Pilot Assembly **	233-48078-03	233-48078-03	233-40261-03	233-41063-03
LP to Nat. Gas Conversion Kit	265-53403-02	265-53403-01	265-53403-02	265-53403-01
LP to Nat. Gas High Altitude Conversion Kit	265-53403-12	265-53403-12	265-53403-12	265-53403-12

- For serial numbers starting before "ND"
- ▶ For serial numbers starting with or after "ND"
- #Anode may need to be cut to length, please see page 12 reference chart of anode length by model.
- *Applies to all warranties
- ** Inner Door Gasket Kit Recommended
- ***Ordering a complete burner assembly may increase delivery time.
- Please order the specific component required for the quickest delivery.



Item	Description	Model	Model
		RG255H*(N,X)	LG255H80*(N,X)
1	Draft Diverter	239-33081-02-20-15	239-33081-02-20-15
2	Hole Closure	239-31547-02	239-31547-02
3	Hex head Sacrificial Anode (Magnesium) #	224-47782-08	224-47782-08
	Hex head Sacrificial Anode (Aluminum) #	224-38508-01	224-38508-01
	Hex head Sacrificial Anode (A420 Aluminum) #	224-49559-04	224-49559-04
4	Flue Reducer	243-42572-00	243-42572-00
5	Hot Water Outlet Anode (Magnesium) #	224-47776-13	224-47776-13
	Hot Water Outlet Anode (Aluminum) #	224-32999-13	224-32999-13
	Hot Water Outlet Anode (A420 Aluminum) #	224-49560-05	224-49560-05
6	Flue Core	239-45676-00	239-45676-00
7	Cold Water Inlet Dip Tube (Polysulfone)	229-45092-02	229-45092-02
8	T&P Relief Valve	230-40594-03	230-40594-03
9	3/4 NPT Pipe Plug	239-11638-00	239-11638-00
10	Right Side Inner Door Complete	239-43963-07	239-43963-07
11	Screw-#8-18 x 3/4 HWH	239-44195-00	239-44195-00
12	Screw-#10-12 x 3/4 HWH	239-44113-00	239-44113-00
13	Left Side Inner Door Complete	239-43968-18	239-43968-18
14	Resettable Thermal Switch	239-43676-02	239-43676-02
15	Screw-#6-20 x 3/8 PHCR	239-43967-00	239-43967-00
16	Outer Door	243-43962-00	243-43962-00
17	Brass Drain Valve	227-48070-02	227-48070-02
18	Gas Control Direct Replacement (Natural Gas)	415-52908-02	415-52908-02
	Gas Control Direct Replacement (LP Gas)	415-52910-02	415-52910-02
19	ASSE Approved Mixing Valve (Optional)	239-51778-00	239-51778-00
20	Inner Door Gasket Kit	239-44078-00	239-44078-00
21	Resettable Thermal Switch Kit (5 pcs.)	265-48643-02	265-48643-02
	Natural Gas Burner Assembly		
22	Nat Gas Burner Assembly Complete***	265-47439-19-19	265-47439-19-19
23	Nat. Gas Burner**	228-47000-00	228-47000-00
24	Nat. Gas Main Burner Orifice 0 Ft. to 2,000 Ft.**	234-41034-19	234-41034-19
	Nat. Gas High Altitude 0 Ft. to 7000 Ft. (-475 model suffixes)**	234-41034-25	234-41034-25
	Nat. Gas High Altitude Kit 7,001 Ft. to 10,000 Ft.	265-51311-02-28	265-51311-02-28
25	Feedline **	233-48094-05	233-48094-05
26	Nat. Gas Pilot Assembly**	233-47845-05	233-47845-05
	LP Gas Burner Assembly		
27	LP Gas Burner Assembly Complete***	265-47440-30-38	265-47440-30-38
28	LP Gas Burner**	228-47000-00	228-47000-00
29	LP Gas Main Burner Orifice 0 Ft. to 2,000 Ft.**	234-41034-38	234-41034-38
	LP Gas High Altitude Orifice 0 Ft. to 7,000 Ft. (-475 model suffixes)**	234-41034-42	234-41034-42
	LP Gas High Altitude Kit 7,001 Ft. to 10,000 Ft.	265-51367-02-44	265-51367-02-44
30	Feedline**	233-47108-05	233-47108-05
31	LP Gas Pilot Assembly**	233-47846-05	233-47846-05
	LP to Nat. Gas Conversion Kit	TBD	TBD
	LP to Nat. Gas High Altitude Conversion Kit	TBD	TBD

#Anode may need to be cut to length, please see page 12 reference chart of anode length by model.

*Applies to all warranties

** Inner Door Gasket Kit Recommended

***Ordering a complete burner assembly may increase delivery time.

Please order the specific component required for the quickest delivery.

Reference Chart of Anode Length by Model

Model	AOD Anode Cut (End to end)		Hex Head Anode Cut Length (End to end)	
	Inches	Millimeters	Inches	Millimeters
RG250H*(N,X)	47.63	1210	---	---
LG250H65*(N,X)	47.63	1210	---	---
RG155H*(N,X)	43.63	1108	40	1016
LG155H80*(N,X)	43.63	1108	40	1016
RG275H*(N,X)	---	---	43.5	1105
LG275H76*(N,X)	---	---	43.5	1105
RG275H*(N,X)-500	---	---	43.5	1105
LG275H76*(N,X)-500	---	---	43.5	1105
RG2100H*(N,X)	---	---	47	1194
LG2100H*85(N,X)	---	---	47	1194
RG2100H*(N,X)-500	---	---	47	1194
LG2100H*85(N,X)-500	---	---	47	1194
RG255H*(N,X)	43.63	1108	40	1016
LG255H80*(N,X)	43.63	1108	40	1016



BRADFORD WHITE®

W A T E R H E A T E R S

Ambler, PA

For U.S. and Canada field service,
contact your professional installer or
local Bradford White sales representative.

Sales/800-523-2931

Technical Support/800-334-3393
Email/techserv@bradfordwhite.com

Warranty/800-531-2111
Email/warranty@bradfordwhite.com

Service Parts/800-538-2020
Email/Parts@bradfordwhite.com

International:
international@bradfordwhite.com



BRADFORD WHITE®

CANADA

Halton Hills, Ontario, Canada

Sales & Technical Support/866-690-0961
905-203-0600

Fax/905-636-0666

Email

Warranty/bwccwarranty@bradfordwhite.com
Technical Support/BWCCTech@bradfordwhite.com
Parts/orders@bradfordwhitecanada.com
Orders/ca.orders@bradfordwhite.com

www.bradfordwhite.com