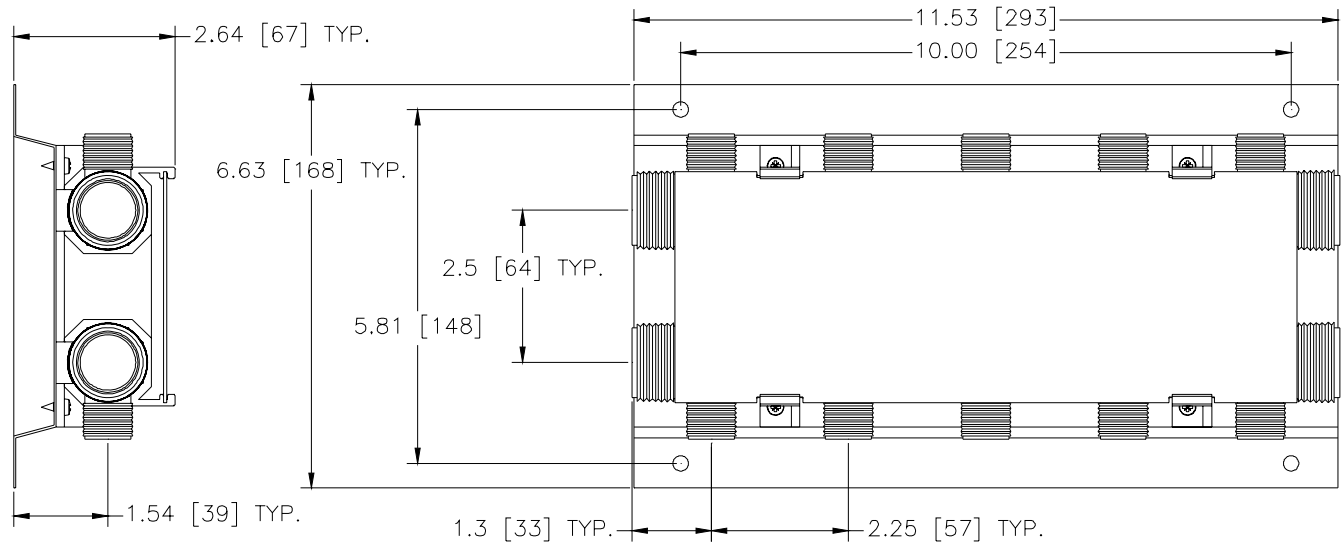




QickPort® Preassembled Manifold – QPPM10 Specification Sheet

Tag _____

Dimensional Data: Inches and [mm] are subject to manufacturing tolerances and change without notice.



Engineering Specification: ZurnPEX® 1" diameter polysulfone QickPort® Preassembled 5 x 5 Manifold. Comprised of five (5) hot and five (5) cold 1/2" male straight pipe thread outlets and four (4) 1" male pipe straight thread inlets. Manifold is rated at a maximum pressure of 100 PSI at 73°F with valves, and a maximum pressure of 160 PSI at 73°F without valves. Optional shut off valves can be added for individual on/off control of each distribution line. NSF listed.

Plumbing Accessories

___ QQFC55X	1" Swivel x 1" Barb Adapter	___ QAFA33FQP	1/2" FPT x 1/2" Nom Tube
___ QQFC45X	1" Swivel x 3/4" Barb Adapter	___ QQSFC23XP	3/8" Barb x 1/2" FPT Swivel Cone Conn (Plastic Nut)
___ QQTFC45X	1" Swivel x 3/4" MIP Adapter	___ QQSFC33XP	1/2" Barb x 1/2" FPT Swivel Cone Conn (Plastic Nut)
___ QTC5FB	1" Cap	___ QQSFC23X	3/8" Barb x 1/2" FPT Swivel Cone Conn (Brass Nut)
___ QFNCR4QP	1" x 3/4" Nom Tube Nut-Ring-Cone	___ QQSFC33X	1/2" Barb x 1/2" FPT Swivel Cone Conn (Brass Nut)
___ QT555TQP	1" x 1" x 1" Tee	___ QTC3FQP	1/2" Cap
___ QT553TQP	1" x 1" x 1/2" Tee	___ QKLABELS	Indicator Labels
___ QE55TQP	1" x 1" Elbow	___ QKPANEL29	Access Panel 14" x 29"
___ QE53TQP	1" x 1/2" Elbow	___ QKPANEL38	Access Panel 14" x 38"
___ QE65TQP	1-1/4" x 1" Elbow	___ QPMB	Mounting Bracket
___ QC55FQP	1" Female Coupling	___ QPBV2X	1/2" Swivel x 3/8" Barb Plastic Ball Valve
___ MANCOUPLING	1" Double Swivel Coupling	___ QPBV3X	1/2" Swivel x 1/2" Barb Plastic Ball Valve
___ QPBV2XB	1/2" Swivel x 3/8" Barb Brass Ball Valve		
___ QPBV3XB	1/2" Swivel x 1/2" Barb Brass Ball Valve		
___ QFNCR2QP	1/2" FPT x 3/8" Nom Tube		

Rev. A	Date: 6/18/08	C.N. No. 98633
Dwg. No. 67426		Prod. No. QPPM10