



325 COMMERCE DRIVE  
MT VERNON, OH 43050  
800-253-8236

# SPECIFICATION DATA SHEET

DATE: 4-4-13  
PREPARED BY: RL

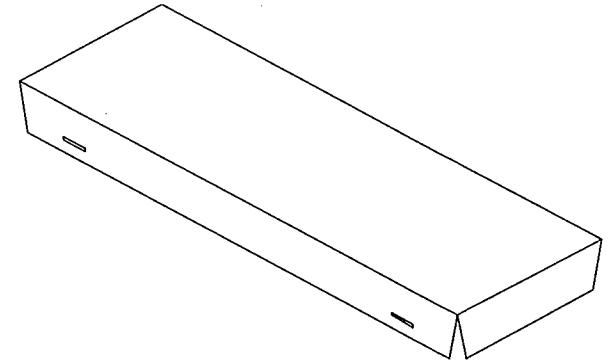
## MODEL NO. 229

## STACK END CAP

STANDARD MODEL

### DIMENSIONS

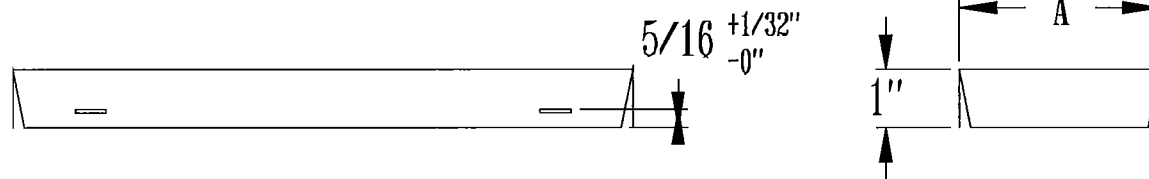
SIZE	A	B
2 1/4 x 10	2 1/4"	10"
2 1/4 x 12	2 1/4"	12"
3 1/4 x 10	3 1/4"	10"
3 1/4 x 12	3 1/4"	12"
3 1/4 x 14	3 1/4"	14"



### MATERIAL SPECIFICATIONS

HOT DIPPED GALVANIZED STEEL.  
PER ASTM A 653 CSB.

STD GAUGE CONSTRUCTION.



### OPTIONS

JOB: \_\_\_\_\_  
LOCATION: \_\_\_\_\_  
CONTRACTOR: \_\_\_\_\_  
ENGINEER: \_\_\_\_\_  
NOTES: \_\_\_\_\_