



325 COMMERCE DRIVE  
 MT VERNON, OH 43050  
 800-253-8236

**SPECIFICATION DATA SHEET**

DATE: 9-14-12  
 PREPARED BY: RL

**MODEL NO. 126  
 STARTING COLLAR**

Standard Model

**DIMENSIONS**

SIZE	A	*B
4"	4"	6"
5"	5"	6"
6"	6"	6"
7"	7"	6"
8"	8"	6"
9"	9"	6"
10"	10"	6"
12"	12"	6"
14"	14"	6"
16"	16"	6"
18"	18"	6"
20"	20"	6"

\*BODY LENGTH - NOT INCLUDING TABS.

**MATERIAL SPECIFICATIONS**

HOT DIPPED GALVANIZED STEEL.  
 PER ASTM A 653 CSB.

4"-8" STD GA  
 9"-18" 28GA  
 20" 26GA

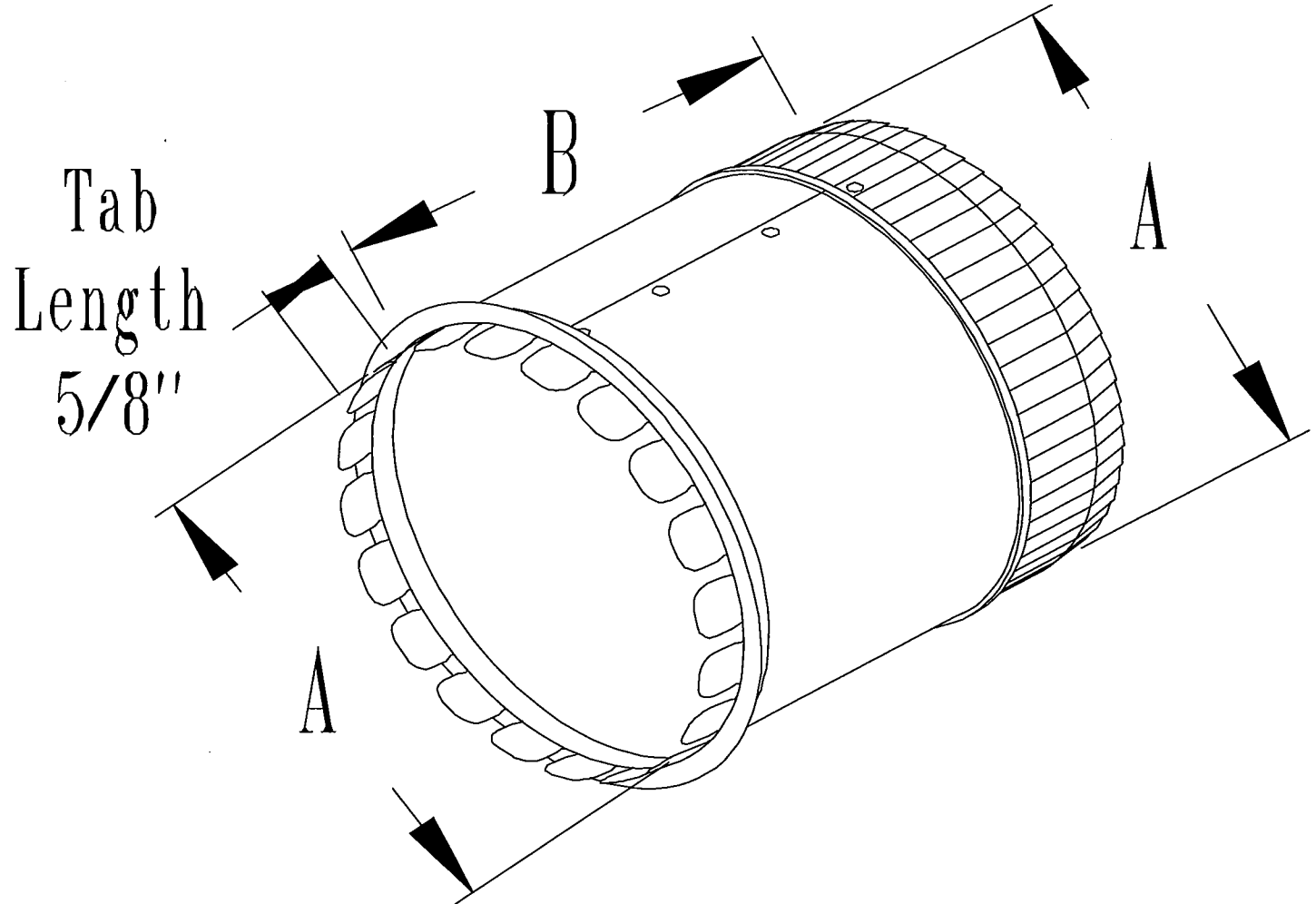
OTHER GAUGES AVAILABLE.

ASSEMBLED WITH 1/8" ZINC COATED RIVETS.

**OPTIONS**

AVAILABLE WITH DAMPER HOLES

AVAILABLE WITHOUT CRIMP



JOB: \_\_\_\_\_  
 LOCATION: \_\_\_\_\_  
 CONTRACTOR: \_\_\_\_\_  
 ENGINEER: \_\_\_\_\_  
 NOTES: \_\_\_\_\_