



325 COMMERCE DRIVE
 MT VERNON, OH 43050
 800-253-8236

SPECIFICATION DATA SHEET

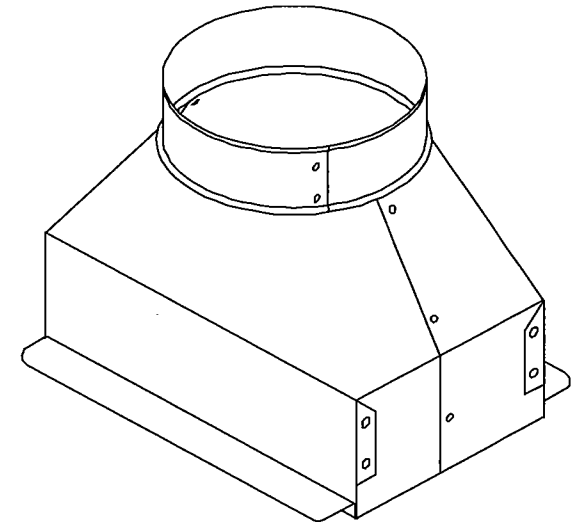
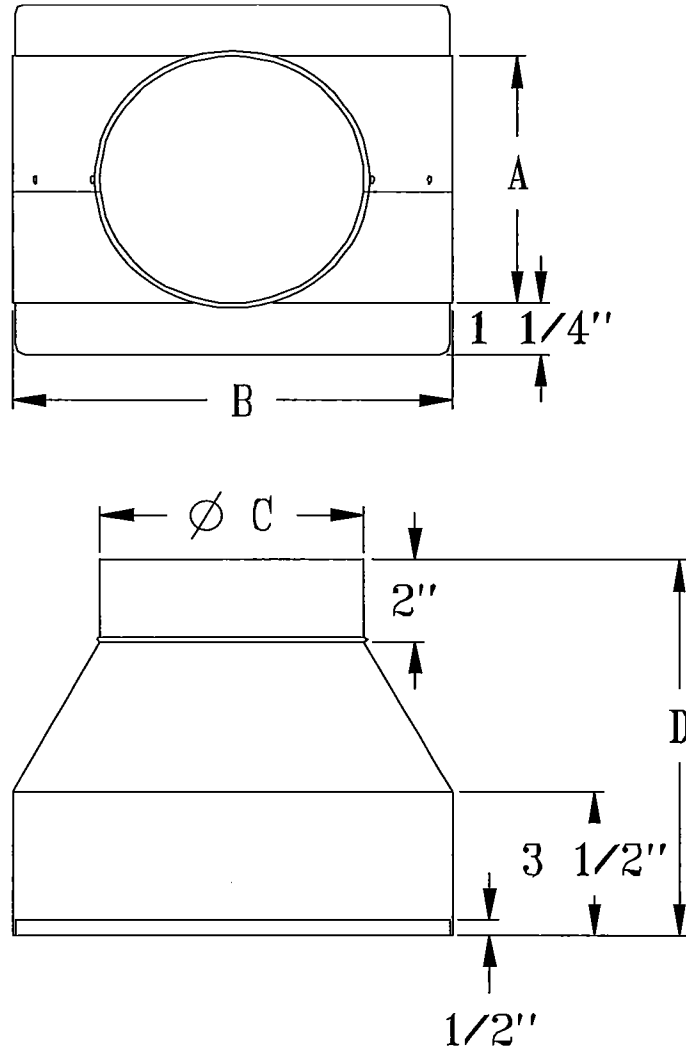
DATE: 1-4-13
 PREPARED BY: RL

MODEL NO. 745 STRAIGHT REGISTER BOOT

STANDARD MODEL

DIMENSIONS

A	B	C	D		
4	x	10	x	6	9 1/4"
4	x	12	x	6	9 1/4"
4	x	12	x	7	9 1/4"
6	x	6	x	6	8"
6	x	8	x	6	9 1/8"
6	x	10	x	5	9 3/8"
6	x	10	x	6	9 1/8"
6	x	10	x	7	8 3/4"
6	x	10	x	8	8 3/4"
6	x	12	x	6	9 1/4"
6	x	12	x	7	9 1/4"
6	x	12	x	8	9"
6	x	14	x	6	9 5/8"
6	x	14	x	7	9 1/2"
6	x	14	x	8	9 3/8"
8	x	8	x	8	7 1/4"
8	x	10	x	8	8 1/4"
8	x	12	x	8	9 1/4"
8	x	14	x	8	9 1/4"
10	x	12	x	10	9 1/4"
12	x	12	x	8	9 1/4"
12	x	12	x	10	8 1/4"



MATERIAL SPECIFICATIONS

HOT DIPPED GALVANIZED STEEL.
 PER ASTM A 653 CSB.

4"-8" COLLAR SIZE: STD GAUGE
 9" & UP COLLAR SIZE: 28 GAUGE

ASSEMBLED WITH 1/8" ZINC COATED RIVETS.
 BRACKETS ARE STD GAUGE

OPTIONS

ALSO AVAILABLE WITH 4 BRACKETS

JOB: _____
 LOCATION: _____
 CONTRACTOR: _____
 ENGINEER: _____
 NOTES: _____