



325 COMMERCE DRIVE  
 MT VERNON, OH 43050  
 800-253-8236

**SPECIFICATION DATA SHEET**

DATE: 10-7-13      PAGE: 1  
 PREPARED BY: RL

**MODEL NO. 153**

**BEADED DUCT**

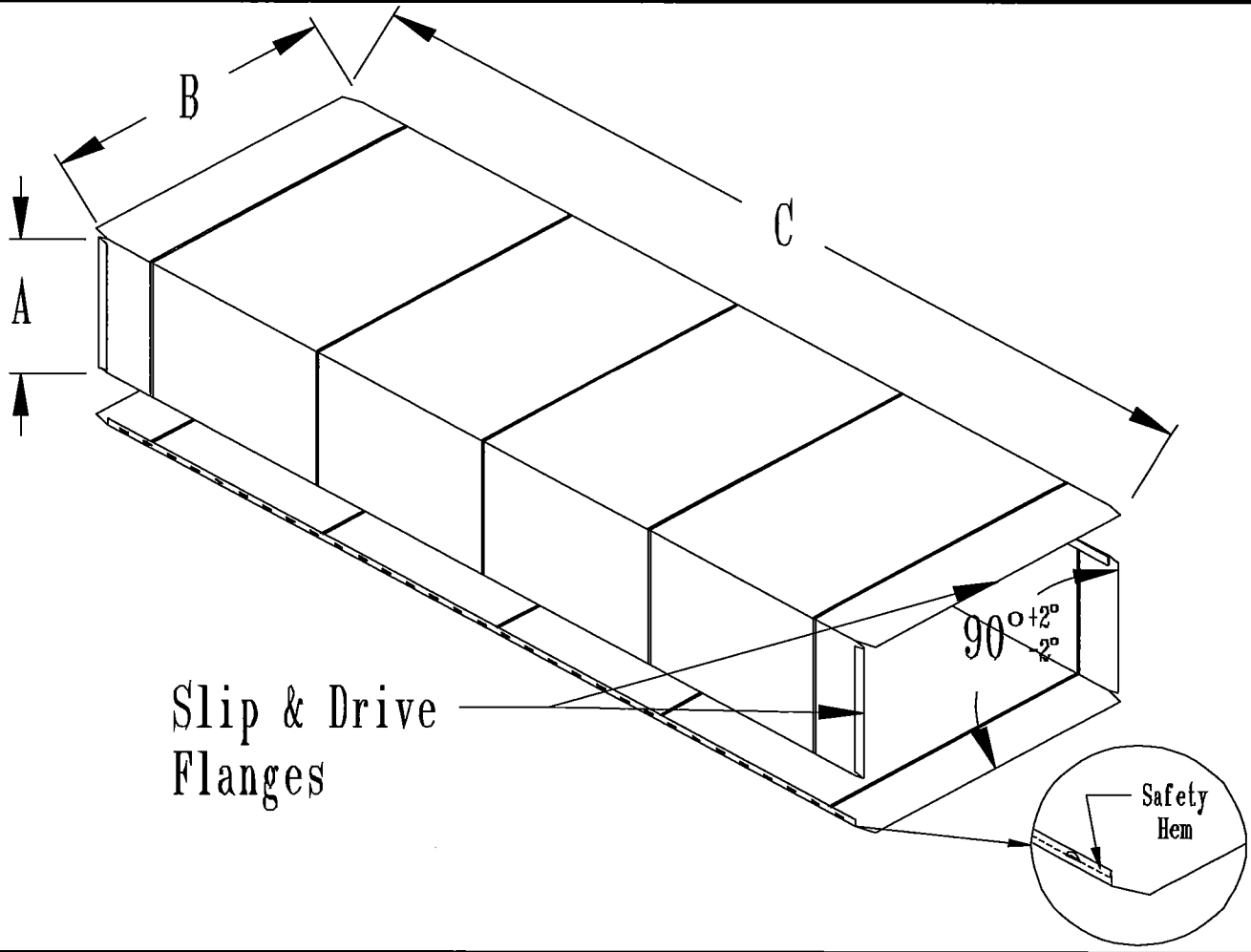
STANDARD MODEL

SIZE			GAUGES AVAILABLE
A	x B	x C	
8"	x 8"	x 48"	28
8"	x 8"	x 60"	28
8"	x 10"	x 48"	28
8"	x 10"	x 60"	28
8"	x 12"	x 48"	28
8"	x 12"	x 60"	28
8"	x 14"	x 48"	28
8"	x 14"	x 60"	28
8"	x 16"	x 48"	26
8"	x 16"	x 60"	26
8"	x 18"	x 48"	26
8"	x 18"	x 60"	26
8"	x 20"	x 48"	26
8"	x 20"	x 60"	26
8"	x 22"	x 48"	26
8"	x 22"	x 60"	26
8"	x 24"	x 60"	26

**MATERIAL SPECIFICATIONS**

HOT DIPPED GALVANIZED STEEL.  
 PER ASTM A 653 CSB.

**OPTIONS**



JOB: \_\_\_\_\_  
 LOCATION: \_\_\_\_\_  
 CONTRACTOR: \_\_\_\_\_  
 ENGINEER: \_\_\_\_\_  
 NOTES: \_\_\_\_\_



325 COMMERCE DRIVE  
 MT VERNON, OH 43050  
 800-253-8236

**SPECIFICATION DATA SHEET**

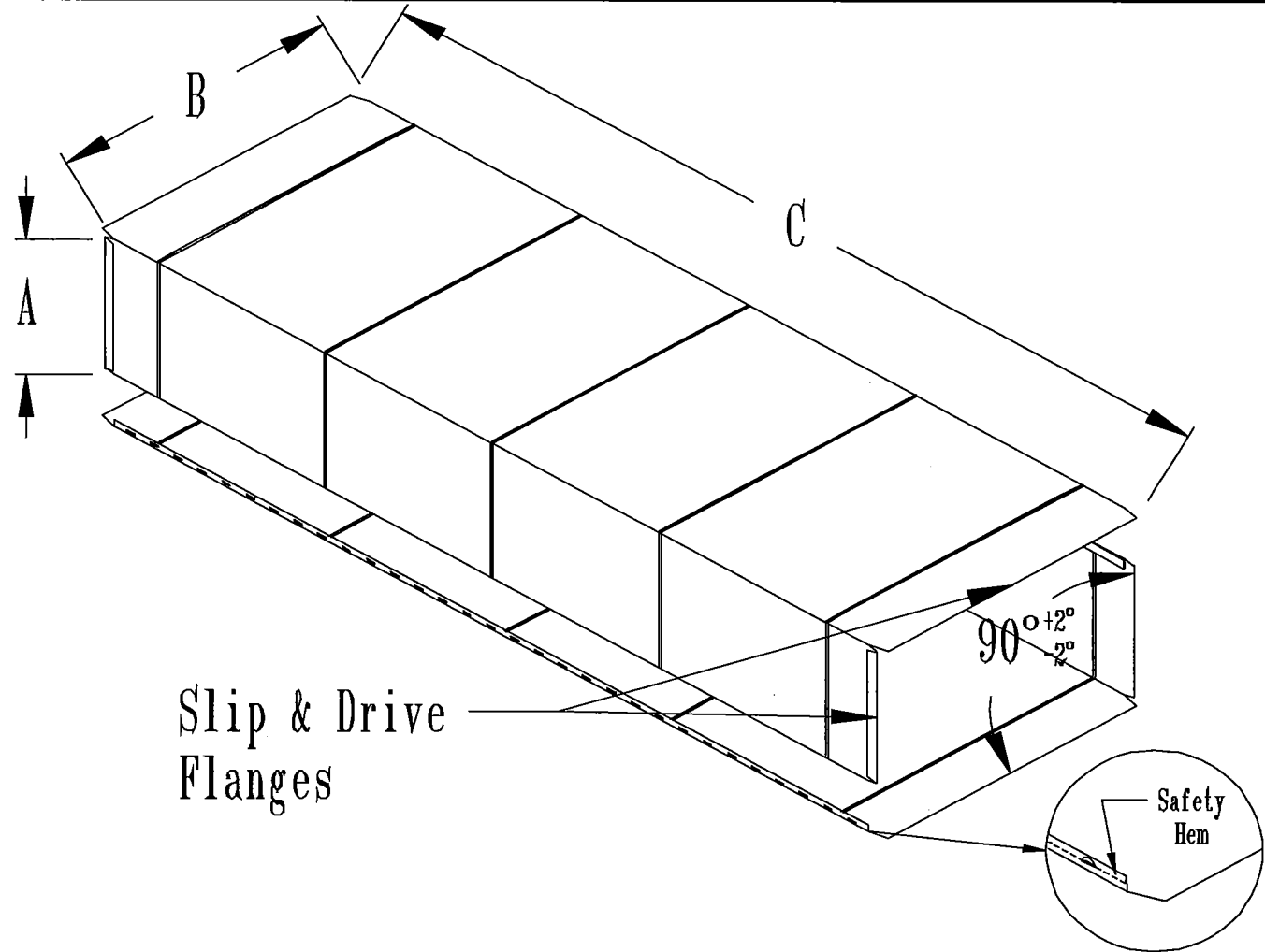
DATE: 10-7-13      PAGE: 2  
 PREPARED BY: RL

**MODEL NO. 153**

**BEADED DUCT**

STANDARD MODEL

SIZE			GAUGES AVAILABLE
A	x B	x C	
10"	x 10"	x 48"	28
10"	x 10"	x 60"	28
10"	x 12"	x 48"	28
10"	x 12"	x 60"	28
10"	x 14"	x 48"	28
10"	x 14"	x 60"	28
10"	x 16"	x 60"	26
10"	x 18"	x 60"	26
10"	x 20"	x 60"	26
10"	x 24"	x 60"	26
12"	x 12"	x 48"	26
12"	x 12"	x 60"	28
12"	x 14"	x 60"	28
12"	x 16"	x 60"	26
12"	x 18"	x 60"	26
12"	x 20"	x 60"	26
12"	x 22"	x 60"	26
12"	x 24"	x 60"	26



**MATERIAL SPECIFICATIONS**

HOT DIPPED GALVANIZED STEEL.  
 PER ASTM A 653 CSB.

**OPTIONS**

JOB: \_\_\_\_\_  
 LOCATION: \_\_\_\_\_  
 CONTRACTOR: \_\_\_\_\_  
 ENGINEER: \_\_\_\_\_  
 NOTES: \_\_\_\_\_