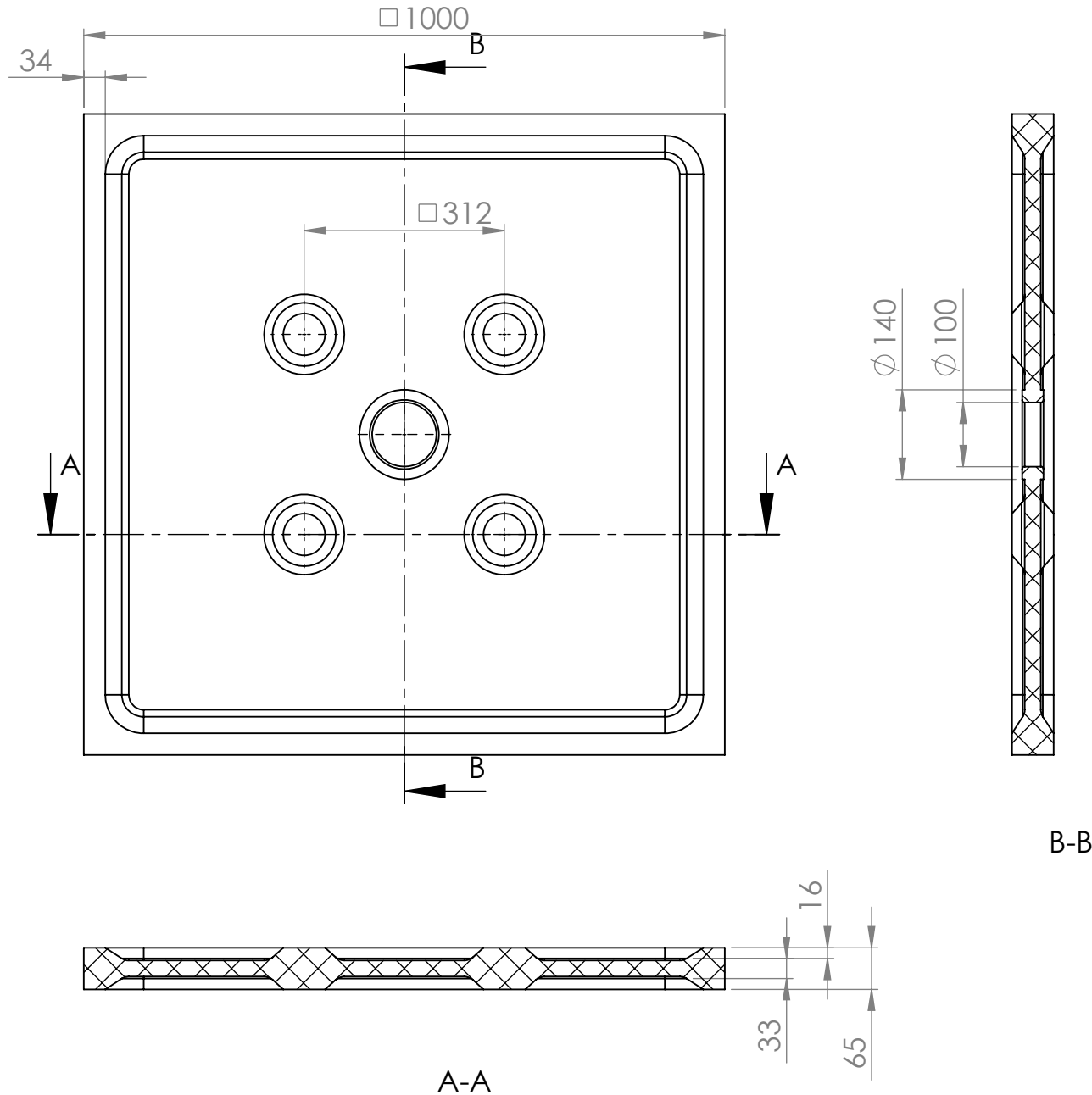


Cake Volume : 30,30 l  
Cake Thickness : 32mm  
Surface Area : 1.70m<sup>2</sup>



B-B

A-A

