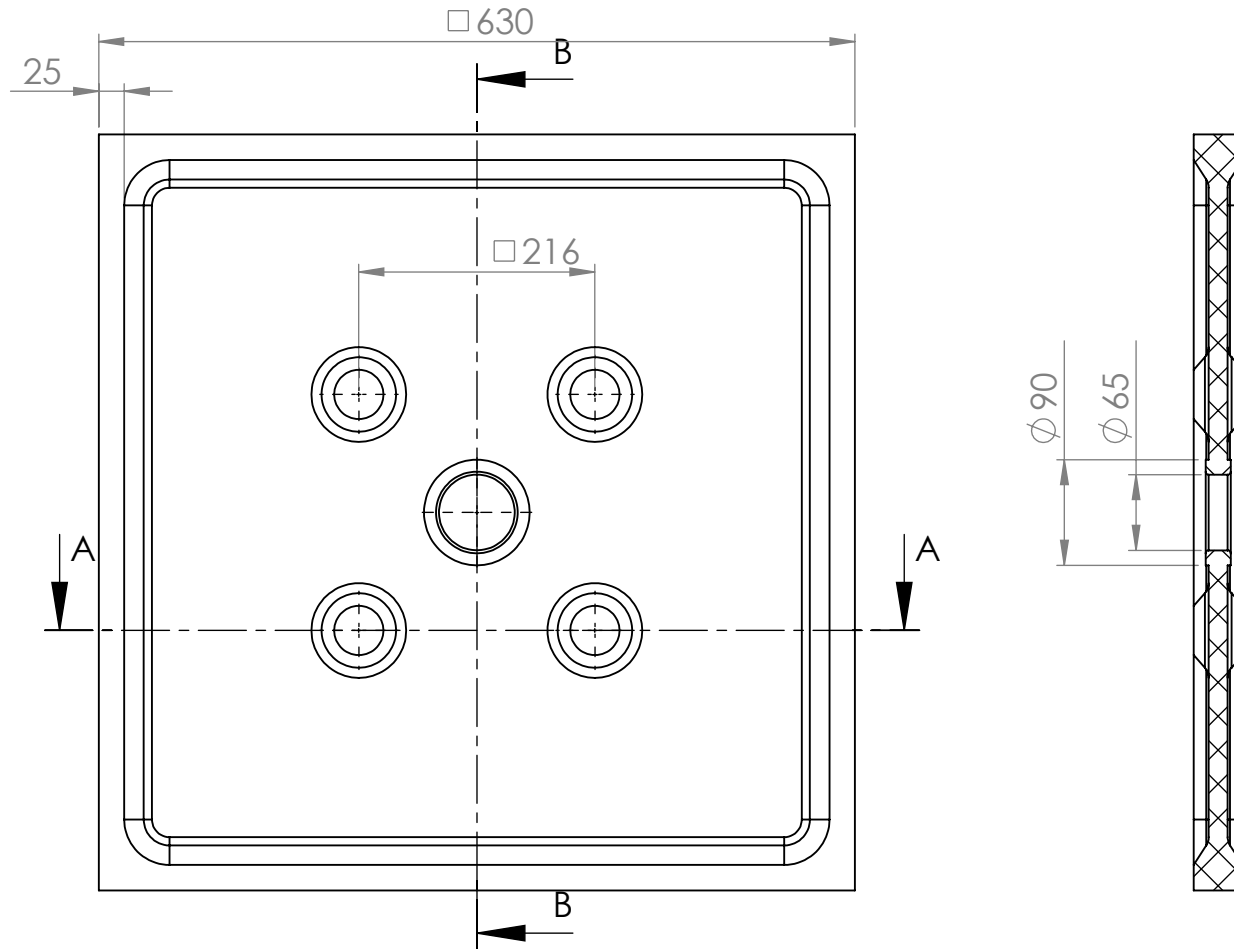


Cake Volume : 9,50 liters  
Cake Thickness : 32mm  
Surface Area : 0,67m<sup>2</sup>



B-B

