

MO

CHAMPION MEDIUM OPEN END MACHINE

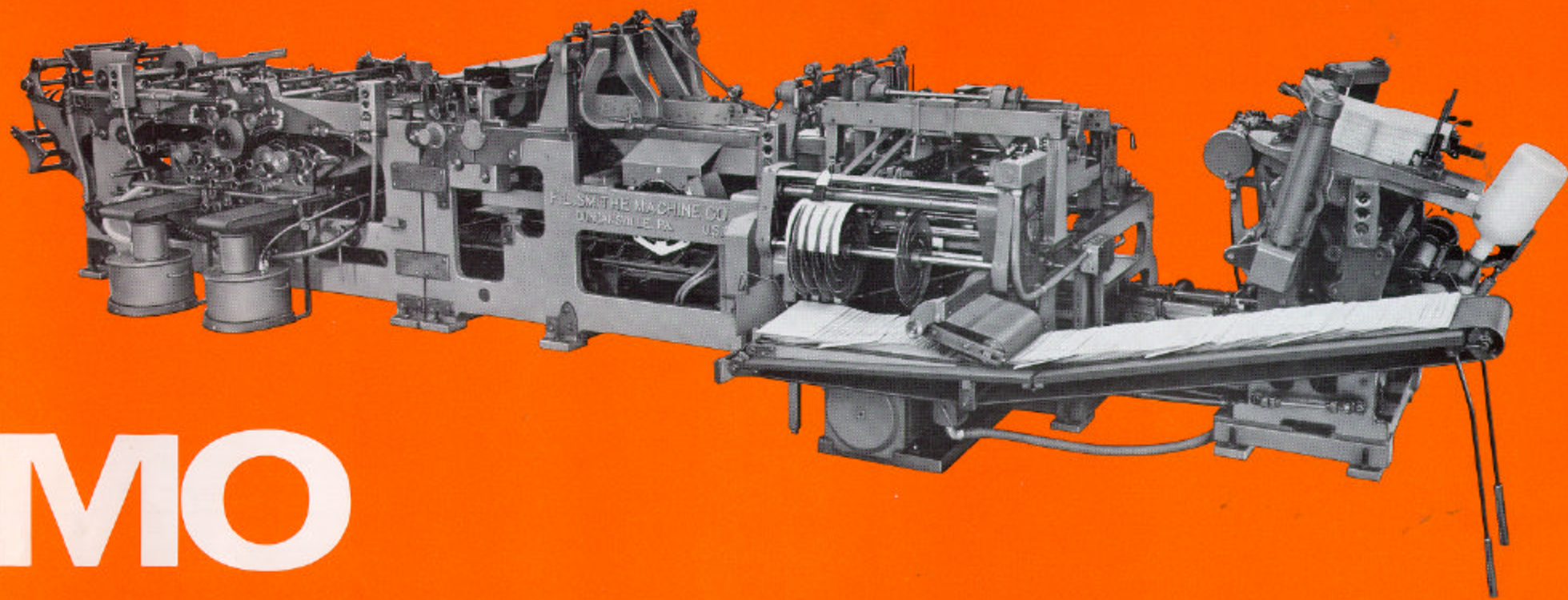
The Champion Medium Open End Machine MO meets the need for extremely high production of quality center seam open end envelopes, along with quick size-changeover. It continues to rank as the finest die-cut open end machine available. Speeds run up to approximately 300 per minute, and better on some jobs. It manufactures open end envelopes in a large range of sizes (see Range of Envelopes). Single side seam styles can also be made.

Booklet styles and a wide variety of special envelopes can be manufactured with attachments available for the MO. Even diagonal seam envelopes can be made with special equipment. Two color flexographic printing, open window panel cutting, and patch applying are also available.

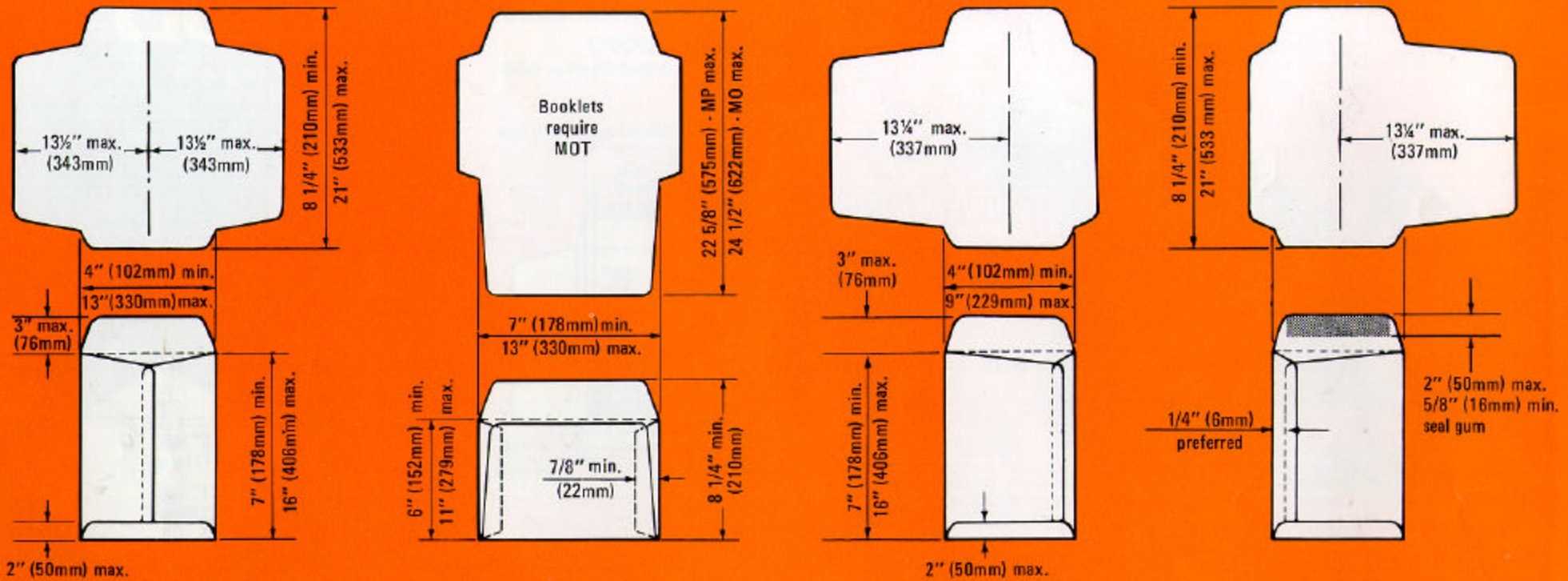
Over recent years various design improvements in the MO have made a good machine into a better one. Among these are drive shafts, one for the folding section

and one for the patching section. These replace several long drive chains, with subsequent improvement of folding registry for the bottom flaps of booklet (side seam) envelopes, as well as improved patch applying registry. Increased production speeds are also a logical result. These drive shafts can still be installed on early machines which use the old drive chains.

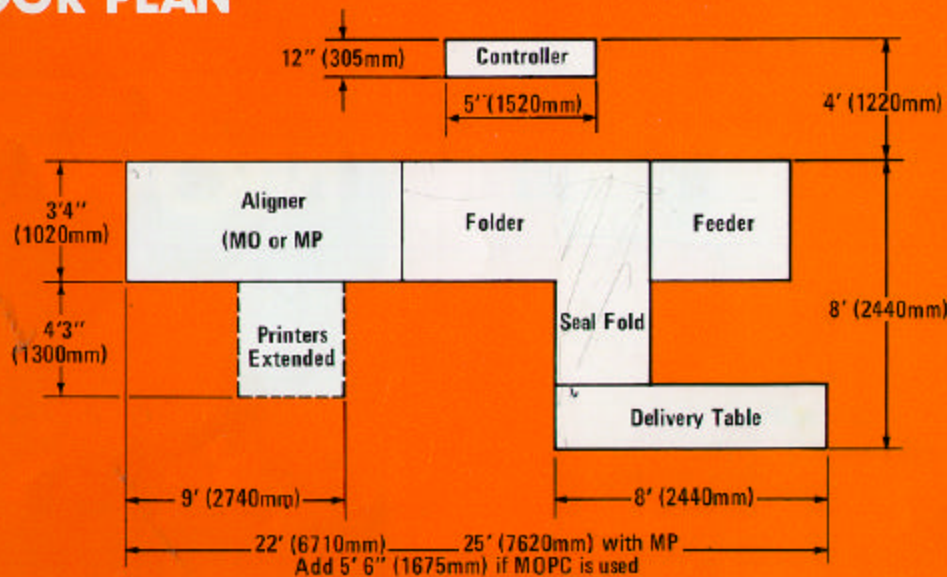
Quartz heaters dry the seal flaps at the highest speeds. The finished work is delivered fanned out and counted, ready for packing, (seal flaps folded or not, as desired). The feed and delivery of the MO Machine are conveniently close to each other, making the operator's work easier. Change-over from one size to another is made rapidly and easily because of the simple, accessible mechanisms involved, so adjusters as well as operators find this machine easy to work with. The MO Machine is practical for short as well as long runs at high speeds, and will operate economically on runs as low as 5,000.



RANGE OF ENVELOPES • MO



FLOOR PLAN



SPECIFICATIONS

Envelope range:

Open end: 4" x 7" to 13" x 16"
(102 x 178mm to 330 x 406mm)

Booklet (Side seam): 7" x 6" to 13" x 11"
(178 x 152mm to 330 x 279mm)

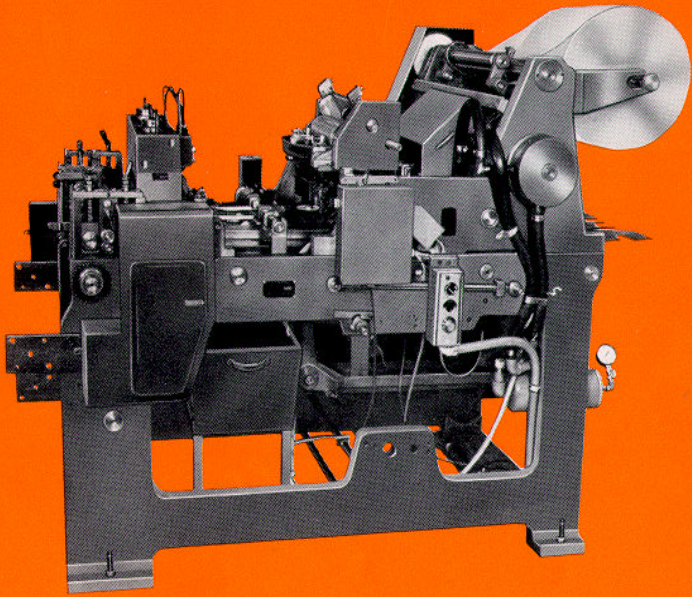
Output: Up to 300 envelopes per minute

Max. printing width: 24 1/2" (620mm)

Machine height: 4'7" (1400mm)

For power requirements, weights and dimensions, see Technical Data Section.

MOPC

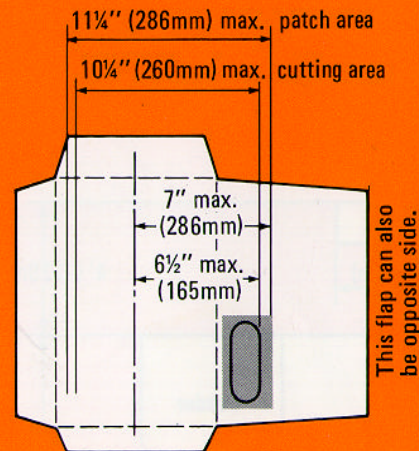
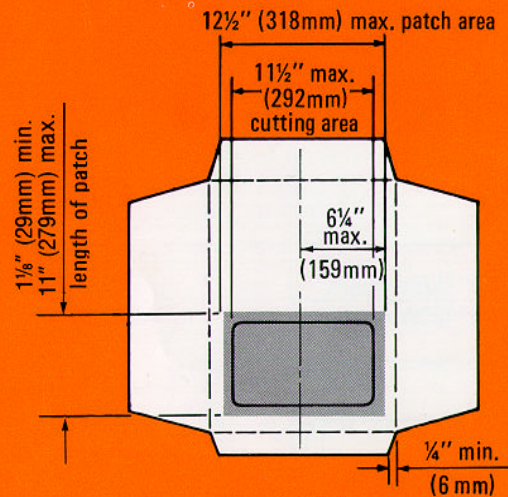


CHAMPION PANEL CUTTER AND PATCHER

The MO Panel Cutter and Patcher Attachment MOPC can be installed into new or old MO machines before the folding section. It consists of a panel cutting, gumming, and patch applying station, enabling the MO to make window or open panel envelopes within the range of the machine. A new roller trip mechanism eliminates the need for a water box. This trip can be ordered for early MOPC units in the field. There are almost no limits to the knife shapes which can be made within the dimensions shown in the drawings. Larger knives and knives with multiple openings are available.

PANEL AND PATCH RANGE OF MOPC

(Positioning is unlimited except as shown)



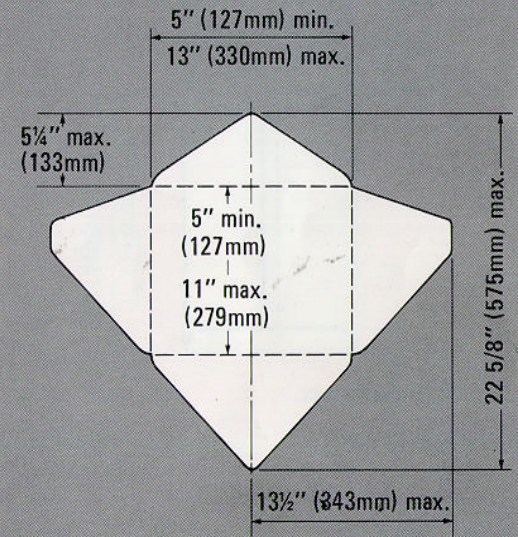
Max. patch width: 11" (279mm)

Standard min. patch width: 6" (152mm)

Special min. patch width: 4" (102mm) can be run with special order equipment.

MOD

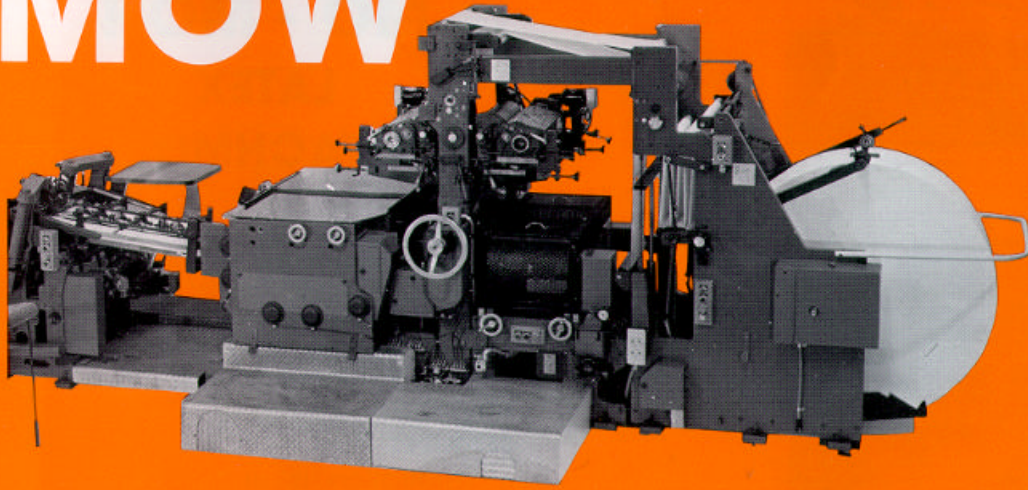
Parts are available on special order to provide for the manufacture of diagonal seam envelopes on the MO Machine. These parts consist largely of a special gumbox. The MOD unit can only be used on machines already equipped with the MOT Booklet Attachment.



MOW

The Champion Web Attachment MOW will permit the running of web open end or web side seam (booklet) envelopes on the MO machine. When die cut work is required, the MOW can easily be disconnected by raising a bridge away from the MO feeder.

MOW

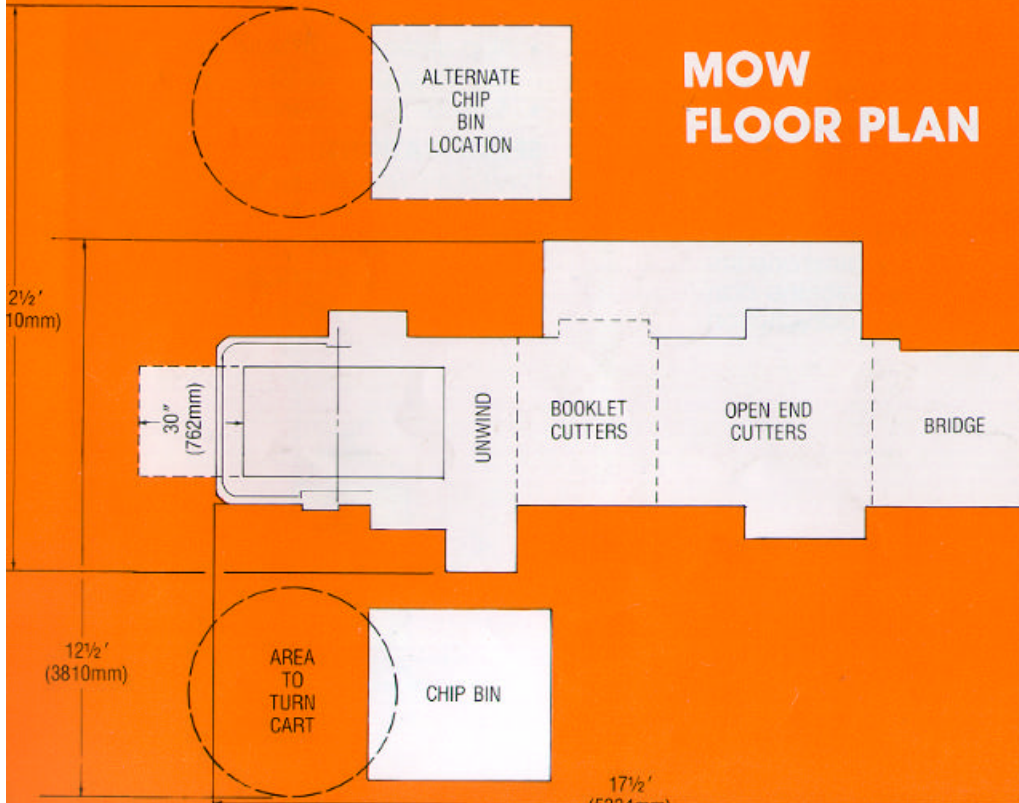


MOW – Web Attachment

The new Champion Web Attachment MOW permits the running of both web open end or web side seam (booklet) envelopes on both MO and MOH machines. The MOW can be easily installed on either new high speed MOH machines or standard MO machines in the field.

When die cut work is required, the MOW can quickly be disconnected by raising the bridge away from the die cut feeder section, and disconnecting the drive shaft.

MOW FLOOR PLAN



MOW Printing — Optional with the MOW is a 3 color aniline printer for printing 2 colors outside and one color inside in the web.

With the combination of a 3 color printer in the MOW and a 2 color printer in the aligner of the folding machine, the possibility of printing 4 colors outside and one color inside can be realized.

MOW SPECIFICATIONS: Max printing width; 17" (432mm)
Max. Web Dia. 60" (1524mm)
Max. Web Width 27" (686mm)