

BLAST CHILLERS

Eurodib blast chillers by Gemm are ideal for chefs, pastry and ice cream makers who depend on reliability and simplicity. They are fitted with an intuitive and user-friendly electronic control panel, which allows chilling cycles to be set extremely rapidly.

Chilling or Freezing cycles can be set via time or core-probe inserted into the core of the product.

- Incorporated condensing unit
- Option of soft/hard chilling or freezing
- Automatic defrost system with pause



* Available in US only *

	BCB 05US 115V*	BCB 05US 230V	BCB 10US	BCB 15US
Power*	115V, 1540W, 12.8.A, 2.1HP, 5-20P	230V, 1865W, 10.5A, 1HP, 6-20P	230V, 3105W, 13.5A, 1.5HP, 6-20P	208V, 3PH, 3815W, 12.5A, 5.1HP, Hardwire
Refrigerated power**	3242 BTU/hr, 950W	4128 BTU/hr, 1210W	6005 BTU/hr, 1760W	8260 BTU/hr, 2430W
Refrigerant gas	R404A	R449A	R449A	R449A
Net weight	243 lbs	293 lbs	370 lbs	494 lbs
Ship dim. (L x W x H)	37" x 37" x 44"	37" x 37" x 44"	37" x 37" x 68.5"	36.25" x 36.25" x 82.75"
Ship weight	278 lbs	333 lbs	406 lbs	538 lbs
Exterior dim. (L x W x H)	30.75" x 34" x 37.75"		34" x 34" x 61.5"	34" x 34" x 75"
Chamber dimensions	15" x 19.5" x 28.75"		20.3" x 29.75" x 32.75"	19.5" x 28.75" x 45.5"
No. of shelves	5		10	15
Shelf dimensions (L x W)	17.25" x 26" (GN1/1)		17.25" x 26" (GN1/1)	17.25" x 26" (GN1/1)
Total volume capacity	5 CuFt (142 L)		11 CuFt (311 L)	15 CuFt (425 L)
Chilling capacity	90°C to 3°C = 26 kg (197°F to 37°F = 57 lbs)		90°C to 3°C = 34 kg (197°F to 37°F = 75 lbs)	90°C to 3°C = 50 kg (197°F to 37°F = 110 lbs)
Freezing capacity	90°C to -16°C = 22 kg (197°F to 0°F = 35 lbs)		90°C to -18°C = 22 kg (197°F to 0°F = 48.5 lbs)	90°C to -18°C = 38 kg (197°F to 0°F = 83 lbs)

Climatic class 5

*Ambient Temperature 89.6°F (32°C); Evap. 14°F (-10°C); Cond. 113°F (45°C); 50% Relative Humidity.

**Ambient Temperature 104°F (40°C); Evap. -9.94°F (-23.3°C); Cond. 129.9°F (54.4°C); 40% Relative Humidity.

The chilling cycle allows a reduction of the internal temperature from 70°C (158°F) to 3°C (37.4°F) in 90 minutes (max).

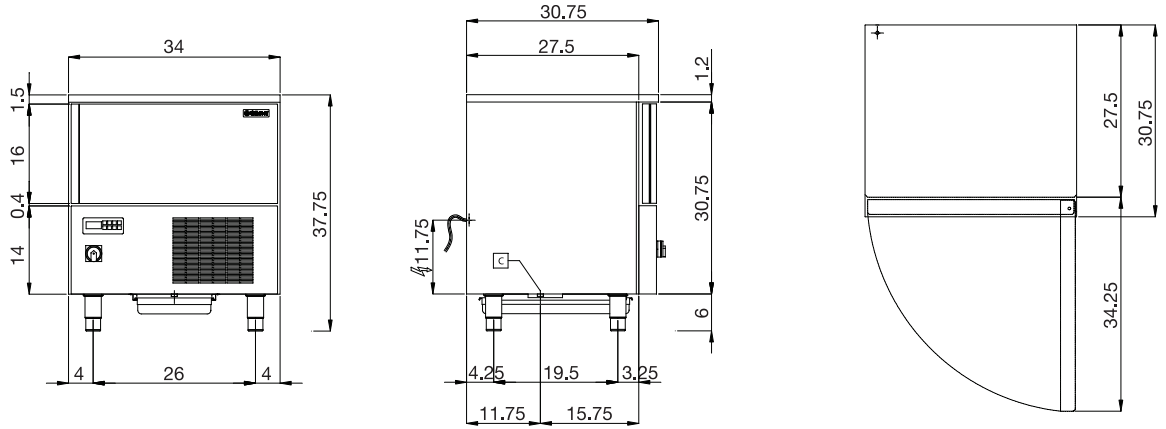
The freezing cycle allows a reduction of the internal temperature from 70°C (158°F) to -18°C (-0.4°F) in 240 minutes (max).



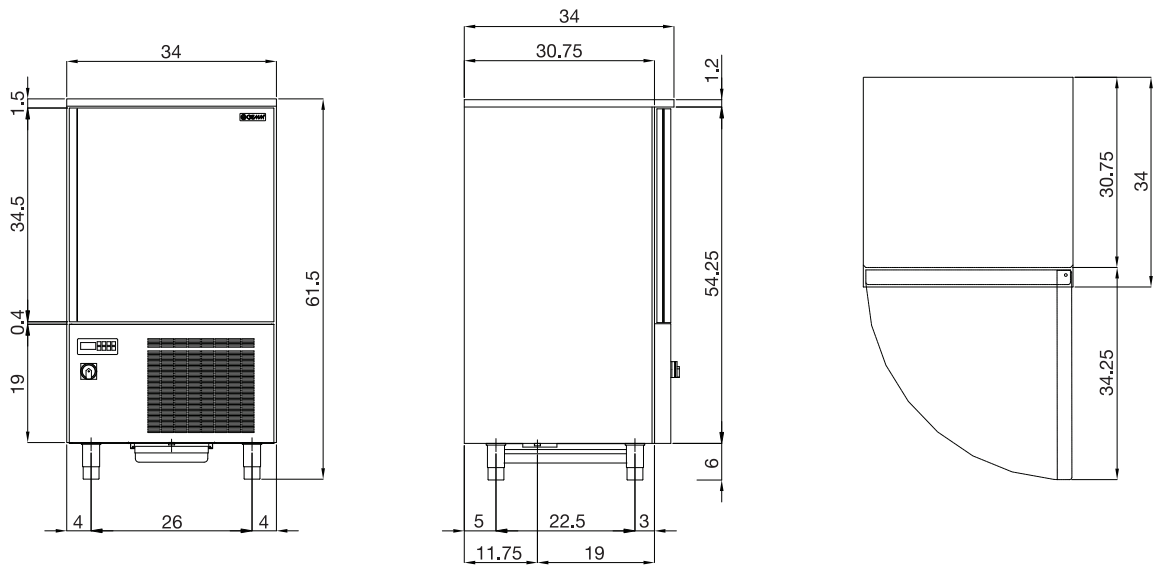
Warranty
(1) year parts and labor

BLAST CHILLERS

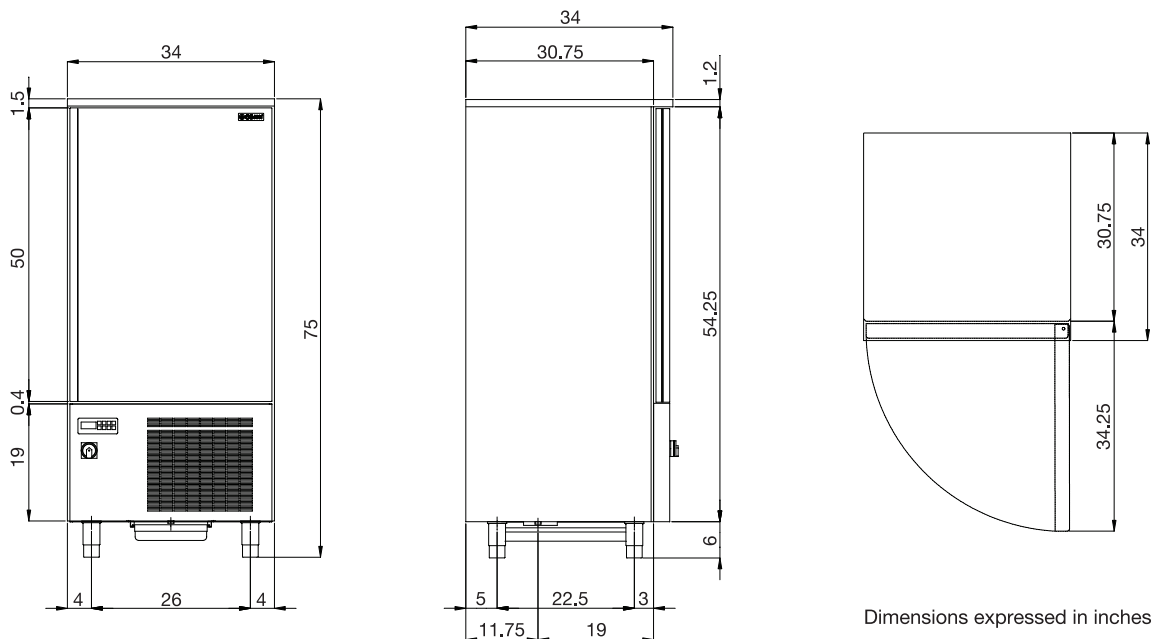
BCB 05US



BCB 10US



BCB 15US



Dimensions expressed in inches