



Titan® Insulation Riser Clamp Series

Specification Data for Insulated Tube and Pipe Clamping

Hydra-Zorb, the trusted manufacturer of Hydra-Zorb cushion clamps since 1966, is proud to launch our latest addition to the Klo-Shure line of products. The patented Titan riser is made to fit insulated pipe and create a clean vapor barrier on vertical pipe runs. Klo-Shure Titan riser will dramatically improve the fit and finish of insulated tube and pipe runs.

Key Features of Klo-Shure® Couplings

- Meets the 25/50 flame spread/smoke developed index
- Superior vapor barrier
- Three times faster installation of insulation
- Crush resistant design
- Dramatically improved finished appearance of insulated tube and pipe runs
- Eliminates insulation compression
- Available for 7/8" to 4-1/8" OD tube
- Insulation wall thickness from 1" to 1-1/2"
- Molded with high strength TPO plastic
- Vertical load rating range:
Up to 2400 lbs.

UL Standard 2043 Edition:

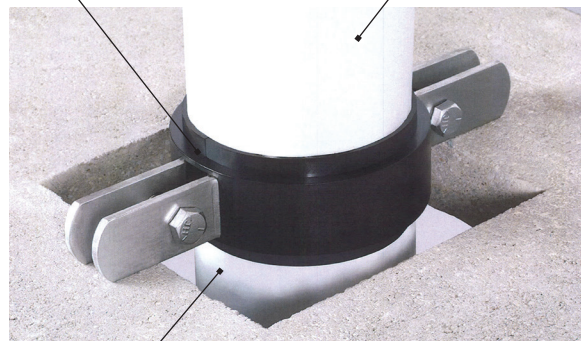
"Fire test for heat and visible smoke release for discrete products and their accessories installed in air-handling space."



TITAN

Riser clamp assembly secures and supports the weight of pipe or tubing

Upper floor insulation from above



Pipe or tubing and insulation come up through floor



1751 Summit Drive | Auburn Hills, Michigan 48326 | 248-373-5151

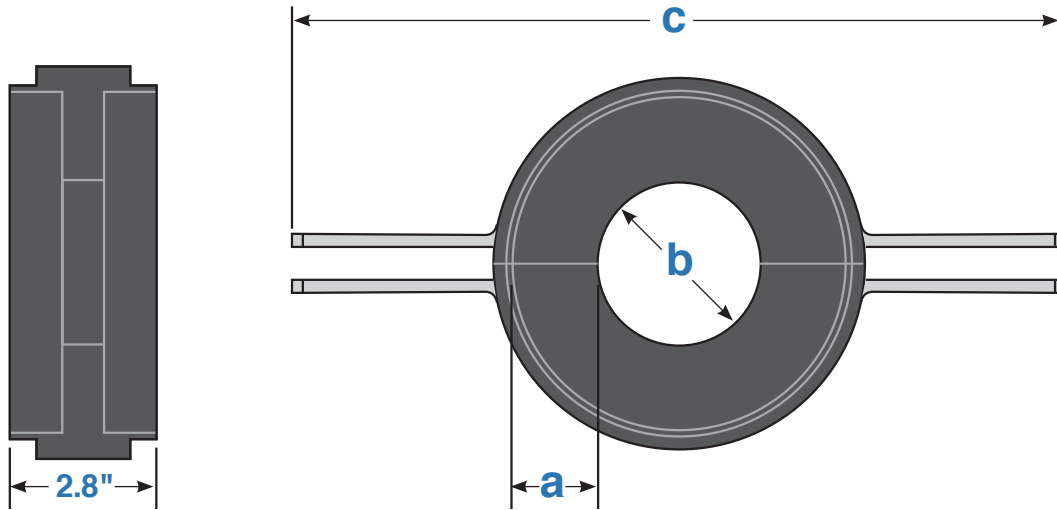


Hydra-Zorb.com





Titan® Insulation Riser Clamp Series



a insulation wall thickness	b Klo-Shure® ID tube OD	c overall dimension	part no.
1" wall insulation	7/8" OD	10.125	R087100
	1-1/8" OD	10.875	R112100
	1-3/8" OD	11.500	R137100
	1-5/8" OD	11.500	R162100
	2-1/8" OD	11.500	R212100
	2-5/8" OD	12.500	R262100
	3-1/8" OD	12.500	R312100
	4-1/8" OD	13.800	R412100
1-1/2" wall insulation	7/8" OD	10.875	R087150
	1-1/8" OD	10.875	R112150
	1-3/8" OD	11.500	R137150
	1-5/8" OD	11.500	R162150
	2-1/8" OD	12.000	R212150
	2-5/8" OD	12.000	R262150
	3-1/8" OD	13.000	R312150
	4-1/8" OD	15.625	R412150



1751 Summit Drive | Auburn Hills, Michigan 48326 | 248-373-5151



Hydra-Zorb.com

