

Fax Process Implementation Flow

Following is our system block diagram followed with the code flow chart with respect to our system

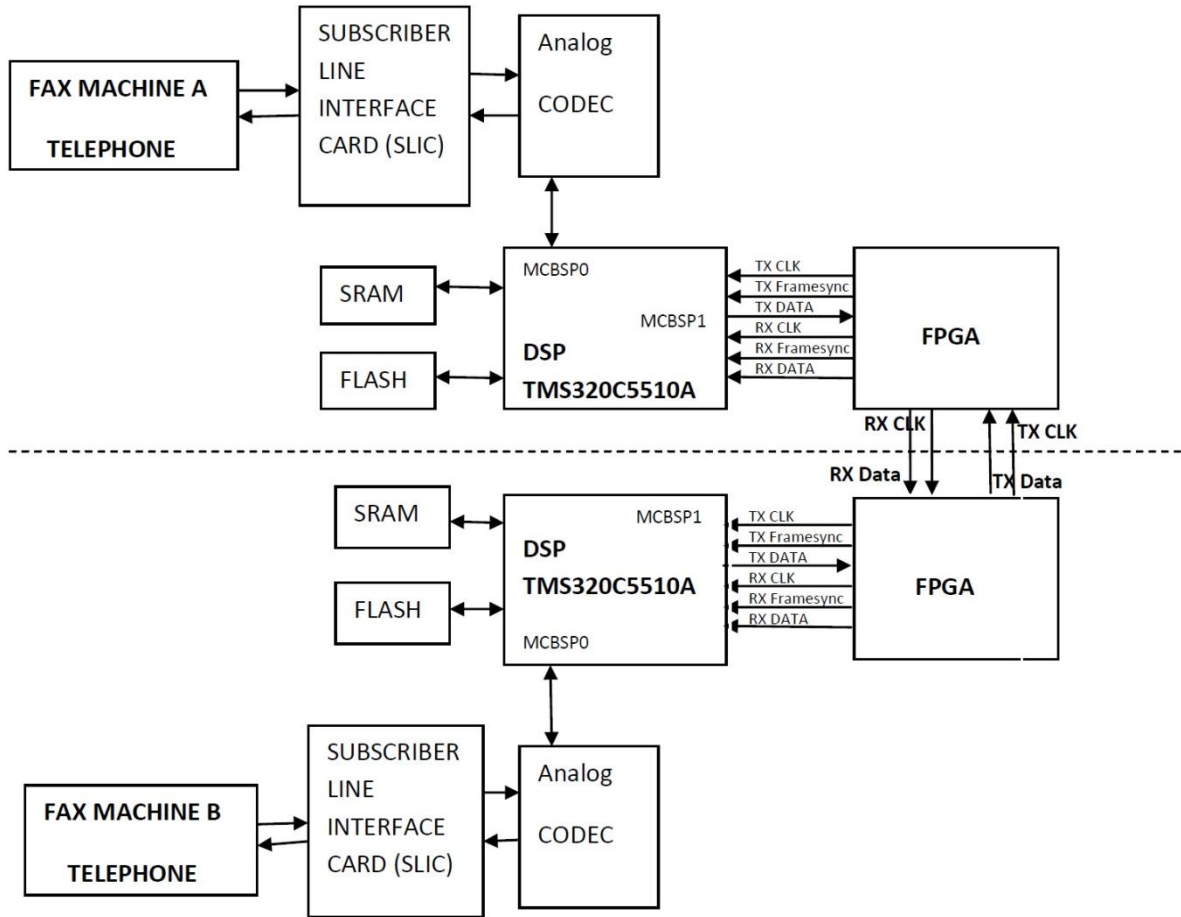
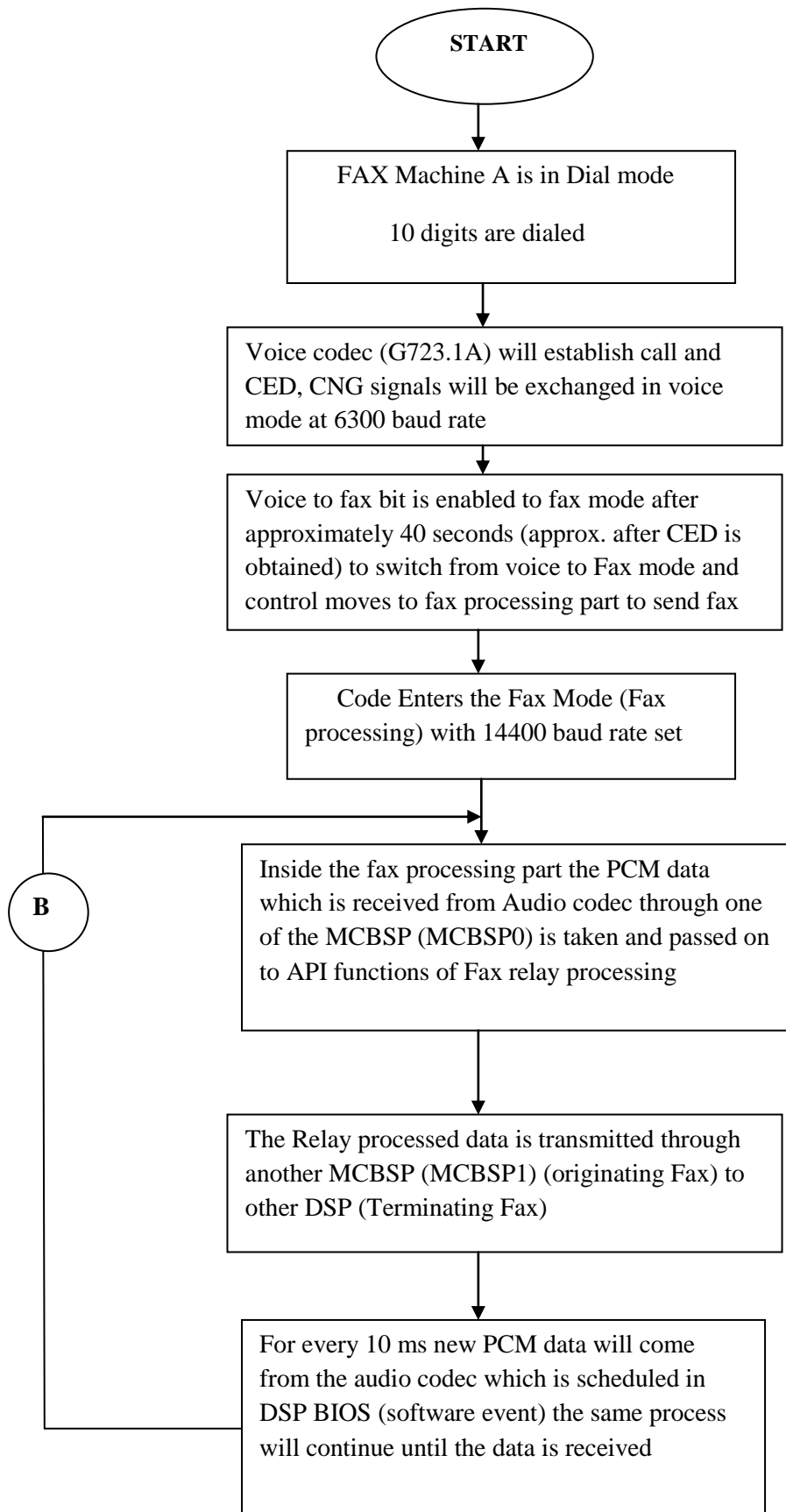


Fig1-System Block Diagram

Flow chart of the Application Code for fax



Do we need to dial in voice mode and after CED CNG signals are exchanged between two fax machines after that do we need to switch to T.38 mode (fax mode) for further processing and send fax?

At present in our system we can see that in voice mode under baudrate 6300(voice codec (G723.1)) the following behavior when dialed 10 digits and pressed fax start button

1. Dial 10 digits from the transmit fax machine and press start button
2. Ring will appear on the receiving fax machine and CED, CNG signals will be exchanged between two fax machines
3. Transmitting fax machine will display "*Sending page*"
4. At receiving fax "*Receiving page*" will appear
5. Within some seconds transmit side fax displays "*Transmit error*" message

Based on the above behavior can you tell what could be issue?