



ELITE

THE WORLD'S MOST SHOOTABLE BOW™



2019 TECHNICAL MANUAL

TUNING AND TECHNICAL INFORMATION

RITUAL 35, RITUAL 30, RITUAL, REVOL XL, ECHELON 37, ECHELON 39,
VICTORY X, EMERGE, IMPRESSION

DISCLAIMER OF LIABILITY: ELITE OUTDOORS LLC (“ELITE ARCHERY”) IS NOT LIABLE FOR ANY PERSONAL INJURY, DEATH, OR PROPERTY DAMAGE THAT MAY RESULT FROM YOUR USE OF THIS BOW. BY USING THIS PRODUCT, THE USER ASSUMES ALL RISKS OF PROPERTY DAMAGE, DEATH, OR INJURY TO YOURSELF AND OTHERS THAT MAY ARISE FROM ITS USE. BY USING THIS PRODUCT, THE BUYER ALSO AGREES TO HOLD ELITE ARCHERY HARMLESS AND INDEMNIFY ELITE ARCHERY FOR ANY PERSONAL INJURY, DEATH, OR PROPERTY DAMAGE THAT MAY RESULT, FOR ANY REASON, FROM THE USE OF THIS PRODUCT. USE OF THIS PRODUCT BINDS THE USER TO THE TERMS AND PROVISIONS OF THIS DISCLAIMER OF LIABILITY.

Please read the following safety information before using your bow. Failure to follow these warnings may cause serious injury or death to yourself or to others and may cause damage to your bow.

WARNING: ELITE BOWS MUST BE PRESSED ONLY IN APPROVED BOW PRESSES. PLEASE VISIT ELITEARCHERY.COM FOR A LIST OF PRESSES.

Elite bows should be serviced by qualified Elite Archery Dealers.

1. Always Remember Safety is Your Highest Priority. Make sure you are properly trained in the use of your bow before using it, unless you are using the bow under the supervision of a qualified instructor. Failure to receive proper instruction for the use of your bow can result in serious injury or death. Wear safety glasses when working on or shooting your bow. Please note the location of others when using your bow. Keep out of reach of children unless under adult supervision. Do not run while carrying arrows. Never draw, aim, or fire your bow in the direction of another person, and never shoot an arrow straight up.

2. Use of Overdraw. Elite recommends that you only shoot an arrow if the point of the arrow is at least 2 inches past the shelf of the bow. The use of an overdraw that allows a shooter to draw the point of the arrow past the shelf of the bow significantly increases the risk of injury to the shooter.

3. Do Not Permanently Remove the Draw Stop Post. The Draw Stop Post is used to ensure that you do not overdraw your bow. Do not permanently remove the Draw Stop Post as this can cause bodily injury or death and will void any warranties for this product.

4. Carefully Inspect Your Bow Before Each Use. Carefully note the condition of the bow before you shoot. Replace all frayed bowstrings. Report damaged cams, risers, limbs, or other parts of your bow to your local dealer for inspection or replacement. Using a damaged bow may result in serious injury or additional damage to the bow.

5. Inspect All Arrows. Before shooting, inspect your arrows for defects and discard cracked, splintered, or dented shafts. Never assume any arrow is safe, even a new arrow. To inspect an arrow, grasp it on both ends and flex it away from yourself and others with a deflection of 1 to 2 inches while visibly and audibly checking for splinters, cracks, or nicks. Visually inspect the entire arrow (including the nock) and never shoot a damaged arrow as this can cause serious damage to your bow and may injure the shooter or others nearby. Also, a cracked nock can break when fired and cause the bow to dry-fire.

- 6. Replacement or Installation of Parts.** We recommend replacement or installation of any item on your bow (such as a stabilizer, bow string, etc.) by a local dealer properly qualified and trained to install such part(s). Use of your bow after faulty installation of a component part may cause personal injury or damage to your bow. It is strictly the responsibility of the user to ensure that your bow is used correctly.
- 7. Never Dry-Fire Your Bow.** Dry-firing means to draw and release the bowstring without an arrow on the string. This can cause severe damage to your bow and possible injury to yourself or others. Let down the bow slowly and carefully from any drawn position. Never draw a bow that does not fit your size or strength. Damage caused by dry-fire will not be covered under warranty. If, however, you dry-fire your bow for any reason, please inspect it for damage, cracking, or splintering and replace any damaged parts. Also, make sure your arrow's nock is properly on the string before firing your bow as an improperly nocked arrow may cause your bow to dry-fire.
- 8. Minimum Arrow Weight.** Shooting underweight arrows has the same effect as dry-firing a bow and can cause serious injury. Do not use an arrow that is less than 5 grains per pound of bow draw weight.
- 9. Types of Arrows.** Do not use wooden or fiberglass arrows. They are not designed for use with this bow and may cause serious injury.
- 10. Never Expose Your Bow to Extreme Heat or Prolonged Moisture.** Excessive heat, such as a sunny day inside a closed vehicle, may cause component failure. Store the bow properly when not in use. Damage caused by extreme exposure will not be covered under warranty.
- 11. Be Sure of Your Backstop.** Since an arrow can travel a great distance, make sure that your backstop is large enough to catch a stray arrow and that it is thick enough to fully stop the arrow. Make sure to position your backstop in a safe direction away from people, livestock, buildings, and roads.
- 12. Be Sure of Your Target.** Always be aware of the location of other people. Hunters often wear camouflage and can be difficult to identify. Never aim at anything you do not intend to shoot and never draw or shoot when anyone is between you and your target. Also make sure there are no people, livestock, buildings, roads, or other objects behind or near your target. Be absolutely sure of your target when shooting in low light conditions.
- 13. Never Modify Your Bow.** Never modify any part of the bow or its components. This voids any and all warranties for your bow and may cause safety risks.
- 14. Read and Heed All Warnings.** Always read warning labels of any other product being used in conjunction with this bow and adhere to those safety guidelines.

RITUAL 35

AXLE TO AXLE	34 3/4" +/- 1/8"
BRACE HEIGHT	6 7/16" +/- 1/8"
STRING	61"
CABLE	39 1/4"
CENTERSHOT	13/16" - 15/16"
PEAK WEIGHTS	50, 60, 70, (65 MADE TO ORDER)
MASS WEIGHT	4.4 LBS
LET OFF	90% - 75%



HUNTING



3D



FIELD



INDOOR

MOD	IBO SPEED RATING #70 WITH A 350 GRAIN ARROW
#1 – 31"	346 FPS
#2 – 30.5"	341 FPS
#3 – 30"	336 FPS
#4 – 29.5"	331 FPS
#5 – 29"	326 FPS
#6 – 28.5"	321 FPS
#7 – 28"	316 FPS
#8 – 27.5"	211 FPS
#9 – 27"	306 FPS
#10 – 26.5"	301 FPS

DEDUCT 2-3 FPS FROM RATING FOR #60 PEAK WEIGHT (300 GRAIN ARROW)

THIS PRODUCT MAY BE COVERED BY ONE OR MORE U.S. OR FOREIGN PENDING OR ISSUED PATENTS.
FOR DETAILS, GO TO WWW.ELITEARCHERY.COM/PATENTS

WWW.ELITEARCHERY.COM

RITUAL 30

AXLE TO AXLE	30 1/2" +/- 1/8"
BRACE HEIGHT	6 3/4" +/- 1/8"
STRING	56 13/16"
CABLE	35"
CENTERSHOT	13/16" - 15/16"
PEAK WEIGHTS	50, 60, 70, (65 MADE TO ORDER)
MASS WEIGHT	4.1 LBS
LET OFF	90% - 75%



HUNTING



3D



FIELD



INDOOR

MOD	IBO SPEED RATING #70 WITH A 350 GRAIN ARROW
#1 – 30"	332 FPS
#2 – 29.5"	327 FPS
#3 – 29"	322 FPS
#4 – 28.5"	317 FPS
#5 – 28"	312 FPS
#6 – 27.5"	307 FPS
#7 – 27"	302 FPS
#8 – 26.5"	297 FPS
#9 – 26"	292 FPS
#10 – 25.5"	287 FPS

DEDUCT 2-3 FPS FROM RATING FOR #60 PEAK WEIGHT (300 GRAIN ARROW)

THIS PRODUCT MAY BE COVERED BY ONE OR MORE U.S. OR FOREIGN PENDING OR ISSUED PATENTS.
FOR DETAILS, GO TO WWW.ELITEARCHERY.COM/PATENTS

WWW.ELITEARCHERY.COM

RITUAL 33

AXLE TO AXLE	33 1/4" +/- 1/8"
BRACE HEIGHT	6 3/4" +/- 1/8"
STRING	59 1/2"
CABLE	37 5/8"
CENTERSHOT	13/16" - 15/16"
PEAK WEIGHTS	50, 60, 70, (65 MADE TO ORDER)
MASS WEIGHT	4.3 LBS
LET OFF	90% - 75%



HUNTING



3D



FIELD



INDOOR

MOD	IBO SPEED RATING #70 WITH A 350 GRAIN ARROW
#1 – 31"	345 FPS
#2 – 30.5"	340 FPS
#3 – 30"	335 FPS
#4 – 29.5"	330 FPS
#5 – 29"	325 FPS
#6 – 28.5"	320 FPS
#7 – 28"	315 FPS
#8 – 27.5"	310 FPS
#9 – 27"	305 FPS
#10 – 26.5"	300 FPS

DEDUCT 2-3 FPS FROM RATING FOR #60 PEAK WEIGHT (300 GRAIN ARROW)

THIS PRODUCT MAY BE COVERED BY ONE OR MORE U.S. OR FOREIGN PENDING OR ISSUED PATENTS.
FOR DETAILS, GO TO WWW.ELITEARCHERY.COM/PATENTS

WWW.ELITEARCHERY.COM

REVOL XL

AXLE TO AXLE	36 1/8" +/- 1/8"
BRACE HEIGHT	7 5/8" +/- 1/8"
STRING	60 1/4"
CABLE	41"
CENTERSHOT	13/16" - 15/16"
PEAK WEIGHTS	60, 70
MASS WEIGHT	4.45 LBS
LET OFF	90% - 75%



HUNTING



3D



FIELD



INDOOR

MOD	IBO SPEED RATING #70 WITH A 350 GRAIN ARROW
#1 – 32"	332 FPS
#2 – 31.5"	328 FPS
#3 – 31"	325 FPS
#4 – 30.5"	321 FPS
#5 – 30"	317 FPS
#6 – 29.5"	313 FPS
#7 – 29"	309 FPS
#8 – 28.5"	305 FPS
#9 – 28"	300 FPS
#10 – 27.5"	296 FPS

DEDUCT 2-3 FPS FROM RATING FOR #60 PEAK WEIGHT (300 GRAIN ARROW)

THIS PRODUCT MAY BE COVERED BY ONE OR MORE U.S. OR FOREIGN PENDING OR ISSUED PATENTS.
FOR DETAILS, GO TO WWW.ELITEARCHERY.COM/PATENTS

WWW.ELITEARCHERY.COM

ECHELON 37

AXLE TO AXLE	37 +/- 1/8"
BRACE HEIGHT	6 3/4" +/- 1/8"
STRING	61"
CABLE	42 1/8"
CENTERSHOT	13/16" - 15/16"
PEAK WEIGHTS	50, 60, 70, (65 MADE TO ORDER)
MASS WEIGHT	4.6 LBS
LET OFF	90% - 75%



3D



FIELD



INDOOR

MOD	IBO SPEED RATING #70 WITH A 350 GRAIN ARROW
#1 – 31"	343 FPS
#2 – 30.5"	338 FPS
#3 – 30"	333 FPS
#4 – 29.5"	328 FPS
#5 – 29"	323 FPS
#6 – 28.5"	318 FPS
#7 – 28"	313 FPS
#8 – 27.5"	308 FPS
#9 – 27"	303 FPS
#10 – 26.5"	298 FPS

DEDUCT 2-3 FPS FROM RATING FOR #60 PEAK WEIGHT (300 GRAIN ARROW)

THIS PRODUCT MAY BE COVERED BY ONE OR MORE U.S. OR FOREIGN PENDING OR ISSUED PATENTS.
FOR DETAILS, GO TO WWW.ELITEARCHERY.COM/PATENTS

WWW.ELITEARCHERY.COM

ECHELON 39

AXLE TO AXLE	38 3/4 +/- 1/8"
BRACE HEIGHT	7 1/8" +/- 1/8"
STRING	62 7/8"
CABLE	43 3/4"
CENTERSHOT	13/16" - 15/16"
PEAK WEIGHTS	50, 60, 70
MASS WEIGHT	4.7 LBS
LET OFF	90% - 75%



3D



FIELD



INDOOR

MOD	IBO SPEED RATING #70 WITH A 350 GRAIN ARROW
#1 – 32"	346 FPS
#2 – 31.5"	341 FPS
#3 – 31"	336 FPS
#4 – 30.5"	331 FPS
#5 – 30"	326 FPS
#6 – 29.5"	321 FPS
#7 – 29"	316 FPS
#8 – 28.5"	311 FPS
#9 – 28"	306 FPS
#10 – 27.5"	301 FPS

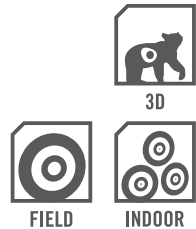
DEDUCT 2-3 FPS FROM RATING FOR #60 PEAK WEIGHT (300 GRAIN ARROW)

THIS PRODUCT MAY BE COVERED BY ONE OR MORE U.S. OR FOREIGN PENDING OR ISSUED PATENTS.
FOR DETAILS, GO TO WWW.ELITEARCHERY.COM/PATENTS

WWW.ELITEARCHERY.COM

VICTORY X

AXLE TO AXLE	37 +/- 1/8"
BRACE HEIGHT	6 3/4" +/- 1/8"
STRING	61 1/4"
CABLE	42 5/8"
CENTERSHOT	3/4" - 7/8"
PEAK WEIGHTS	50, 60, 70
MASS WEIGHT	4.4 LBS
LET OFF	90% - 75%



MOD	IBO SPEED RATING #70 WITH A 350 GRAIN ARROW
#1 – 31"	337 FPS
#2 – 30.5"	332 FPS
#3 – 30"	327 FPS
#4 – 29.5"	322 FPS
#5 – 29"	317 FPS
#6 – 28.5"	312 FPS
#7 – 28"	307 FPS

DEDUCT 2-3 FPS FROM RATING FOR #60 PEAK WEIGHT (300 GRAIN ARROW)

THIS PRODUCT MAY BE COVERED BY ONE OR MORE U.S. OR FOREIGN PENDING OR ISSUED PATENTS.
FOR DETAILS, GO TO WWW.ELITEARCHERY.COM/PATENTS

WWW.ELITEARCHERY.COM

VICTORY X SMALL BASE CAMS

AXLE TO AXLE	37 +/- 1/8"
BRACE HEIGHT	6 3/4" +/- 1/8"
STRING	58"
CABLE	42 1/4"
CENTERSHOT	3/4" - 7/8"
PEAK WEIGHTS	50, 60, 70
MASS WEIGHT	4.4 LBS
LET OFF	90% - 75%



3D



FIELD



INDOOR

MOD	IBO SPEED RATING #70 WITH A 350 GRAIN ARROW
#8 – 31"	302 FPS
#9 – 30.5"	297 FPS
#10 – 30"	292 FPS
#11 – 29.5"	287 FPS

DEDUCT 2-3 FPS FROM RATING FOR #60 PEAK WEIGHT (300 GRAIN ARROW)

THIS PRODUCT MAY BE COVERED BY ONE OR MORE U.S. OR FOREIGN PENDING OR ISSUED PATENTS.
FOR DETAILS, GO TO WWW.ELITEARCHERY.COM/PATENTS

WWW.ELITEARCHERY.COM

EMERGE

AXLE TO AXLE	31 7/8" +/- 1/8"
BRACE HEIGHT	7" +/- 1/8"
STRING	51 1/2"
CABLE	36 5/8"
CENTERSHOT	3/4" - 7/8"
PEAK WEIGHTS	40, 50, 60
MASS WEIGHT	4.1 LBS
LET OFF	88% - 75%



HUNTING



3D



FIELD



INDOOR

MOD	IBO SPEED RATING #70 WITH A 350 GRAIN ARROW
#1 – 28"	305 FPS
#2 – 27.5"	300 FPS
#3 – 27"	295 FPS
#4 – 26.5"	290 FPS
#5 – 26"	285 FPS
#6 – 25.5"	280 FPS
#7 – 25"	275 FPS
#8 – 24.5"	270 FPS
#9 – 24"	265 FPS

DEDUCT 2-3 FPS FROM RATING FOR #60 PEAK WEIGHT (300 GRAIN ARROW)

THIS PRODUCT MAY BE COVERED BY ONE OR MORE U.S. OR FOREIGN PENDING OR ISSUED PATENTS.
FOR DETAILS, GO TO WWW.ELITEARCHERY.COM/PATENTS

WWW.ELITEARCHERY.COM

IMPRESSION

AXLE TO AXLE	31 7/8" +/- 1/8"
BRACE HEIGHT	7" +/- 1/8"
STRING	51 1/2"
CABLE	36 5/8"
CENTERSHOT	3/4" - 7/8"
PEAK WEIGHTS	40, 50, 60
MASS WEIGHT	4.1 LBS
LET OFF	88% - 75%



HUNTING



3D



FIELD



INDOOR

MOD	IBO SPEED RATING #70 WITH A 350 GRAIN ARROW
#1 – 28"	305 FPS
#2 – 27.5"	300 FPS
#3 – 27"	295 FPS
#4 – 26.5"	290 FPS
#5 – 26"	285 FPS
#6 – 25.5"	280 FPS
#7 – 25"	275 FPS
#8 – 24.5"	270 FPS
#9 – 24"	265 FPS

DEDUCT 2-3 FPS FROM RATING FOR #60 PEAK WEIGHT (300 GRAIN ARROW)

THIS PRODUCT MAY BE COVERED BY ONE OR MORE U.S. OR FOREIGN PENDING OR ISSUED PATENTS.
FOR DETAILS, GO TO WWW.ELITEARCHERY.COM/PATENTS

WWW.ELITEARCHERY.COM

LINEAR TUNABLE ROLLER - TUNING GUIDELINES

In conjunction with rest tuning, cam spacing, and nock position, cable tension tuning can serve as an alternate adjustment method to aid in paper, bare shaft, or broadhead tuning. Consult your local proshop or certified Elite dealer for assistance if needed.



TENSION DECREASE

- To correct left nock tear
- To decrease vane clearance
- To minimize cable tension if vane clearance is sufficient
- To induce cam lean toward the riser

NEUTRAL

- Factory preset position
- Provides vane clearance for a wide variety of vane types and configurations

TENSION INCREASE

- To correct right nock tear
- To increase vane clearance
- To induce cam lean away from the riser



ADJUSTING THE DRAW WEIGHT

Before making any adjustments to the limb bolts, the four pocket screws need to be loosened about one full turn. After adjusting limb bolts to the desired weight, make sure to tighten the four pocket screws.

WARNING: DO NOT TURN THE LIMB BOLTS OUT MORE THAN THE RECOMMENDED TURNS!

- Recommended turns out of limb bolts for Revol, Ritual, and Echelon – 3 turns
- Recommended turns out of limb bolts for rest of bow line up – 2 turns

Doing so could damage the bow, cause limbs to break out of their pockets, and result in bodily injury. It will also void your Elite warranty.

CAM ADJUSTMENT AND TUNING

2018 Elite Archery bows use a modular based cam system. All Elite bows are set to peak performance from the factory. See cam adjustment basics chart for more information.

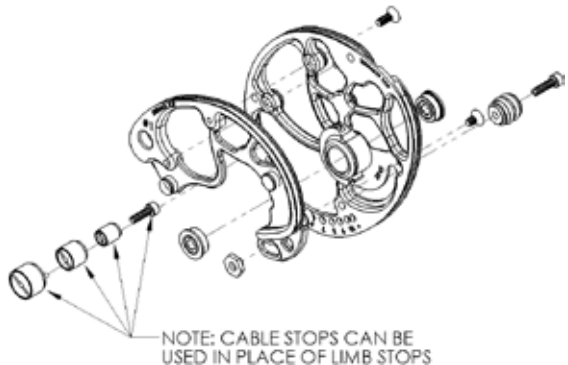
NOTE: Draw stop setting adjustments allow fine tuning to achieve individual draw length requirements, however, adjusting the draw length will affect let-off and valley at the same time. Achieving an exact let-off at a specific draw length will require some trial and error with minor modifications and/or use of a draw board and digital scale. See your local Elite dealer or pro shop for assistance.

STRING, CABLES, & TUNING FOR ALL ELITE BOWS...

- Elite recommends you cycle the bow 100-125 times to settle the string and cables into the grooves. To adjust your peep sight, simply twist the string from the bottom in ½ turn increments until the peep sight aligns. In some cases, this may need to be repeated after cycling and an additional 150-200 shots.
- We recommend waxing the string often. To wax the string, apply wax liberally to the entire length of the string. Rub briskly with fingers until the string appears slick. Remove excess wax with a clean towel or cloth. Waxing every other time you shoot will lengthen the life of your string and cable sets.
- When setting the center shot on 2018 Elite bows, measure from inside the riser from the berger hole to the center of the arrow.
- We recommend shooting arrows that weigh no less than 5 grains per pound of draw weight. Using arrows with less than 5 grains per pound will void any and all warranties and could cause bodily harm to yourself or damage your bow.

ECHELON CABLE STOP INSTRUCTIONS

The Echelon cam system allows for the use of Elite's traditional Limb Stop system or included cable stops. If you prefer a slightly softer feeling back wall we recommend the cable stops. There are 3 different sized cable stops included with your bow (1/4", 3/8", 1/2"). To use the cable stops simply screw them into the hole that corresponds with the same # Mod you have on your bow. For example if you are shooting a #7 Mod put the cable stops into the #7 hole. Using the smallest cable stop will allow for the maximum let-off. The larger cable stops will give you increased holding weight to desired preference. Once your cable stops are in the correct position, remove the limb stops and store. **DO NOT DRAW YOUR BOW WITHOUT** either a cable stop or limb stop in place. Be sure your cable stops are in the correct hole before drawing your bow. Your timing may need to be adjusted after switching from one stop style to the other.

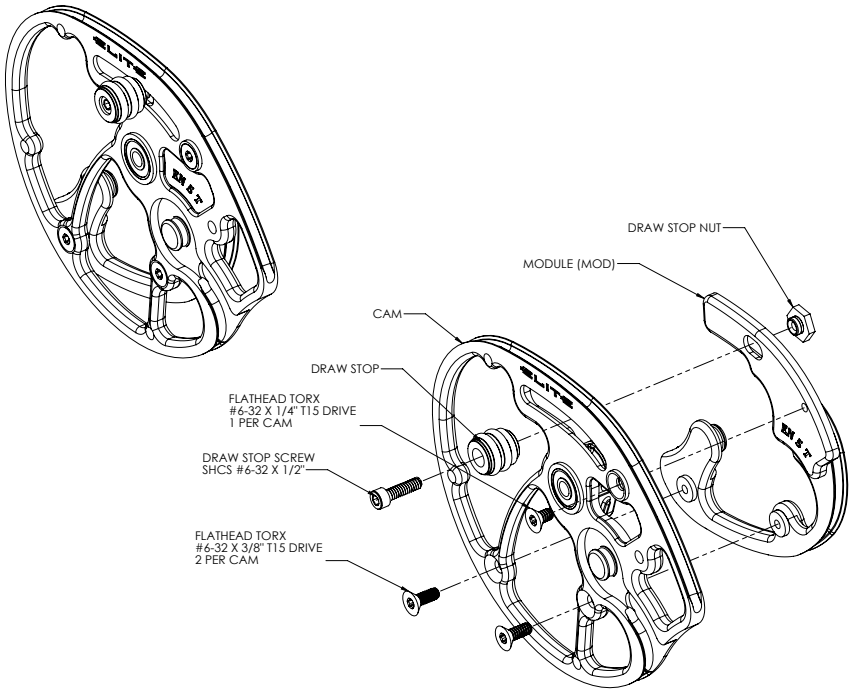


MODULAR CAM CHANGE INSTRUCTIONS

These instructions are intended to be performed on a bow with no accessories installed. A bow press designed for use on a parallel limb bow is recommended. A draw board will be helpful for resetting the draw stop locations after the mods have been changed.

1. Properly prepare the bow press to work on a parallel limb bow.
2. Place bow in press and deflect the limbs enough to relax string and cables.
3. Work on one end of the bow at a time. Note the location of where each string and cable loops attach to their posts in order to avoid incorrect installation once the mod has been changed.
4. Remove cables from their post. Secure them in a manner which will prevent twists from being lost or added.
5. Using a size T15 Torx driver, remove the three screws that secure the mod to the cam.
6. Using a size 7/64" Allen wrench, remove the draw stop.
7. Remove mod from cam and install desired size mod.
8. Using a size 7/64" Allen wrench, install the draw stop. Be sure not to over tighten as this could cause damage to the screw. It is recommended that a small amount of semi-permanent thread locker like Loc-Tite 242 be applied to threads prior to installation back into the cam/mod assembly.
9. Using a size T15 Torx driver, install three screws that secure the mod to the cam. Be sure not to over tighten as this could cause damage to the screw, mod, or cam. It is recommended that a small amount of semi-permanent thread locker like Loc-Tite 242 be applied to threads prior to installation back into the cam/mod assembly.
10. Install cables back onto their correct posts.
11. Repeat these steps on opposite end of the bow.
12. Be sure to verify string and cables are in their appropriate tracks. Carefully relax limbs and remove bow from the press.
13. Set draw stop locations in order to achieve the desired draw length and holding weight.

MODULAR CAM EXPLODED VIEWS



ELITE ARCHERY CAM ADJUSTMENT BASICS

ADJUSTMENT RESULTS

ADJUSTMENT	DRAW LENGTH	DRAW WEIGHT	VALLEY / LET-OFF	ATA	BRACE HEIGHT
TWISTING CABLES	Increase	Increase	Slightly Increase	Decrease	Slightly Increase
UNTWISTING CABLES	Decrease	Decrease	Slightly Decrease	Increase	Slightly Decrease
TWISTING STRING	Decrease	Decrease	Slightly Decrease	Slightly Decrease	Slightly Increase
UNTWISTING STRING	Increase	Increase	Slightly Increase	Slightly Increase	Slightly Decrease
MOVE DRAW STOPS IN	Slightly Decrease	_____	Shorten Valley, Decrease Let off	_____	_____
MOVE DRAW STOPS OUT	Slightly Increase	_____	Lengthen Valley, Increase Let off	_____	_____

THE ELITE PROMISE

ELITE ARCHERY ANNOUNCES A GROUNDBREAKING NEW GUARANTEE ON ITS BOWS AS WELL AS POSITIVE CHANGES TO ITS LIMITED LIFETIME WARRANTY. COUPLED TOGETHER, THIS ELITE PROMISE GIVES HUNTERS AND ARCHERS THE PEACE OF MIND KNOWING ELITE ARCHERY STANDS BEHIND ITS PRODUCTS, ITS DEALERS, AND ITS CUSTOMERS.

LIMITED LIFETIME WARRANTY

Elite Archery stands behind the workmanship and overall quality of its bows through a Limited Lifetime Warranty to the ORIGINAL OWNER. This Limited Lifetime Warranty is non-transferable and is valid only on the purchase of a new bow from an authorized retailer. Bows purchased online, from mail order or from an unauthorized Elite retailer will NOT be covered under this Limited Lifetime Warranty. You must register your Elite bow within 30 days of purchase on the Warranty Registration page of elitearchery.com

This warranty covers the riser, pockets, limbs, and eccentrics against defects in material and workmanship. The Elite Archery Limited Lifetime Warranty does not cover strings, cables, decoration, and overall finish of the bow. Elite Archery recommends the use of only genuine Elite replacement or aftermarket strings, manufactured by Winner's Choice Bowstrings. The use of bowstrings or cables by any other manufacturer that does not meet the Elite specifications may void the Limited Lifetime Warranty. Alterations or modifications to any portion of the bow by the consumer may also void this Limited Lifetime Warranty. The Limited Lifetime Warranty does not cover misuse or abuse of the bow such as dry-firing, dropping, intentional, or unintentional damage, etc. Elite Archery reserves the right to deny warranty coverage in the event that misuse is observed.

Elite Archery retains the right to replace components with equivalent components that may be of different design or decoration. Elite Archery may also request to visually inspect failed components prior to issuing parts and/or service.

There are no other warranties expressed or implied binding Elite Archery, Certified Elite Dealers, and Certified Elite Distributors (International).

ELITE HUNT GUARANTEE

Elite Archery believes that our customers are top priority and we want our customers to be 100% confident in their bows. Elite Archery is comprised of dedicated and passionate bow hunters – for this reason we offer a unique guarantee for our hunting customers.

It happens. You are on the hunt of a lifetime and you accidentally touch your broadhead to your string. You are taking your one-week of vacation to hunt with your friends and your buddy dry-fires your bow. If there isn't a bow shop within driving distance, your hunt is over – but not if you're shooting an Elite bow. No matter where you are or what happened to your bow, Elite will send a bow to you so you can finish your hunt. You only pay for shipping. This bow is on loan from Elite Archery and not intended to replace your damaged bow. The loaner bow will arrive with your requested draw weight and length, a rest, sight, and peep installed. The bow will be tuned and ready to shoot. It will only need to be sighted in with your arrows.

If something happens to your bow while on your hunt, please call us at **877-503-5483** and ask for the warranty department. The bow must be returned to us in the condition it was shipped with all accessories. The loaner bow will be sent to you right away – you just cover the cost of shipping. Our goal is to make sure you can finish your hunt, no matter where you are, no matter what happened.



ELITE

THE WORLD'S MOST SHOOTABLE BOW[®]



THE OUTDOOR GROUP^{LLC}

LIABILITY DISCLAIMER

THE OUTDOOR GROUP, LLC IS NOT LIABLE FOR ANY PERSONAL INJURY, DEATH, OR PROPERTY DAMAGE THAT MAY RESULT FROM YOUR USE OF THIS PRODUCT. THE USER OF THIS PRODUCT ASSUMES ALL RISKS OF PROPERTY DAMAGE OR INJURY TO YOURSELF AND OTHERS THAT MAY ARISE FROM ITS USE. USE OF THIS PRODUCT BINDS THE USER TO THIS AGREEMENT.



**THE OUTDOOR GROUP
1325 JOHN STREET
W. HENRIETTA, NY 14586**

**1.877.503.5483
ELITEARCHERY.COM**

FOR PATENT INFORMATION VISIT WWW.ELITEARCHERY.COM/PATENTS