

STIRING, CABLES AND TUNING FOR ALL ELITE BOWS...

- Elite recommends that you cycle the bow 100-125 times to settle the string and cables into the grooves. To install your peep sight, simply twist the string from the bottom in 1/2-turn increments until the peep sight aligns. In some cases, this may need to be repeated after cycling and additional 150-200 shots
- We recommend waxing the string often. To wax the string, apply wax liberally to the entire length of the string. Rub briskly with fingers until the string appears slick. Remove excess wax with a clean towel or cloth. Waxing every other time you shoot will lengthen the life of your string and cable sets.
- Only replace your string and cables using 24 stands of BCY 452X. Replacing with other material or reducing the strands will void your warranty.
- Setting a center shot on the rest for Elite bows, Measured from the inside of the riser from the burger to the center of the arrow shot, roughly 7/8 of an inch from the hole.
- We recommend shooting arrows with no less than 5 grains per pound used. Using arrows with less than 5 grains per pound will void any and all warranties and could cause bodily harm to yourself. And or damage to your bow.

Warranty Information

Elite Archery is proud to stand behind the workmanship and overall quality of our compound bows by offering the Limited Lifetime Warranty. This warranty applies to the original owner and is non transferable. The warranty covers the riser, pockets, limbs, and eccentrics against defects in material and workmanship for the lifetime of the bow. Items not covered by warranty are strings, cables, limb savers, cables slides, cable rod, grip, camo and/or paint and finish. Alterations and modifications made by the consumer will void this warranty. There are no other warranties expressed or implied binding Elite archery its dealers and distributors. Registration card must have been received for warranty to be valid.



400 W Whitman Drive College Place, WA 99324 (509)529-0626

2008.5 Technical Manual

!WARNING!

Removing the Draw stop post could result in bodily injury and will void any and all warranties.



Tuning and Technical information for the GT 500, and Z28 Compound bows, featuring the Revolution Cam System.

Z28

ATA 32 1/2" +/- .1875

BH 8" +/- .125

String 56 3/8"

Cable 37 1/4"

Draw Weight 60-80lbs.

Draw Length 27-30"

Draw Cam setting at brace from IBO Speed Rating
 .170 Hole to inside limb

#1-30"	.400 gap	326-336 fps
#2-29.5"	.290 gap	320-330 fps
#3-29"	.270 gap	315-325 fps
#4-28.5"	.260 gap	310-320 fps
#5-28"	.225 gap	305-315 fps
#6-27.5"	.200 gap	300-310 fps
#7-27	.185 gap	295-305 fps

GT500

ATA 34 7/8; +/- .1875

BH 7 1/8" +/- .125

String 58 7/16"

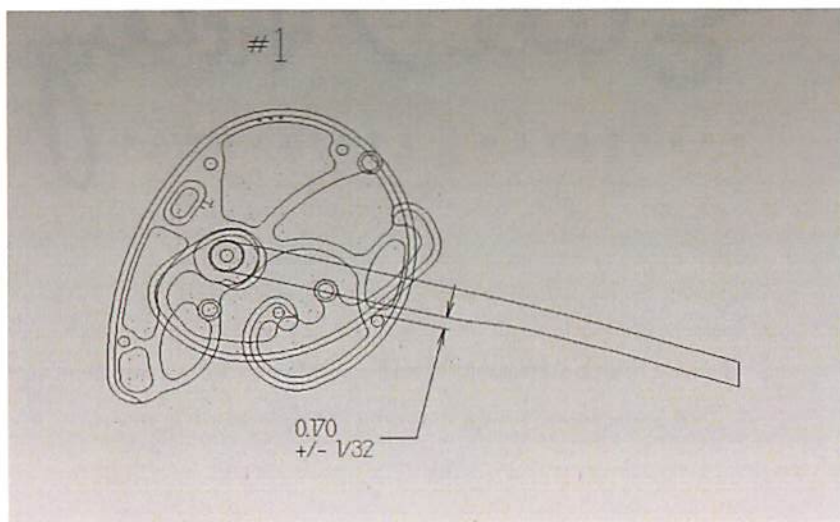
Cable 39 1/2"

Draw Weight 60-90lbs.

Draw Length 27-30"

Draw Cam setting at brace from IBO Speed Rating
 .170 Hole to inside limb

#1-30"	.170 gap	336-346 fps
#2-29.5"	Even with the edge	329-339 fps
#3-29"	.010 under limb	324-334 fps
#4-28.5"	.035 under limb	319-329 fps
#5-28"	.050 under limb	314-324 fps
#6-27.5"	.070 under limb	308-318 fps
#7-27	.080 under limb	303-313 fps



Adjusting the let off

Before making any adjustments to the limb bolts, the four pocket set screws need to be loosened about one full turn. After adjusting the limb bolts to the desired weight, make sure and tighten the four pocket set screws. **WARNING: DO NOT TURN THE LIMB BOLTS OUT MORE THAN THE RECOMMENDED TWO (2) TURNS!** Doing so could damage the bow, cause limbs to break out of their pockets and result in bodily injury. It will also void your Elite warranty.

Cam Adjustment and tuning

Our cams are draw length specific; Draw lengths are available in 1/2 inch increments. All Elite bows are set to peak performance from the factory.

NOTE: Post setting adjustments allow fine tuning to achieve individual draw length requirements, however adjusting the draw length will affect the let-off and the valley at the same time. Achieving an exact let-off at a specific draw length will require some trial and error of minor modifications and/or the use of a draw board and digital scale. See your local Elite dealer or pro shop for assistance.