

MODEL: STOCK CHASER
TYPE: 3 WHEEL ELECTRIC POWERED PARTS PICKER
MODEL YEAR: 2010
Part No.: 33601



PRODUCT SPECIFICATION

CONFIGURATION HIGHLIGHTS

- Speed Control:** Solid State 275 amp controller. Potentiometer throttle sensor
- Dash mounted direction selector switch (Forward-Neutral-Reverse)
 - Four, Six Volt Deep Cycle
- Battery Charger:** 24 Volt On-Board. Fully line compensating. Underwriters Laboratories (U.L.) Listed, (C.S.A. Certified)
- Input: 110 – 120 Volt, 60 Hz, 8.5 amp
 - Output: 24 Volt at 25 amps. DC
- Motor:** 24 Volt DC series wound, brazed armature, solid copper armature. 1.5 hp (1.1 kW) @ 2800 rpm, 4.3 hp (3.2 kW) @ 1200 rpm
- Drive Train:** Direct motor shaft connected to transaxle pinion shaft
- Electrical System:** 24 Volt DC, four, 6 volt deep cycle batteries (115 minute minimum, 225 amp-hour @ 20 hr. discharge rate)
- Transaxle:** Differential with helical gears
- Brakes:** Dual rear wheel mechanical drum brakes. Automatic park brake
- Convenience:** 4 & 6 rung ladders available
- Towing Capacity:** Normal Draw Bar Pull 100 lb (45 kg). Maximum Draw Bar Pull (at stall) 840 lb (380 kg)

PRODUCT OVERVIEW

Dimensions	
Overall Length	84.0 in (213 cm)
Overall Width	29.5 in (75 cm)
Overall Height (No Ladder)	48.0 in (122 cm)
Overall Height (4 Step Ladder)	78.0 in (198 cm)
Overall Height (6 Step Ladder)	97.0 in (246 cm)
Wheel Base	48.0 in (122 cm)
Front Wheel Track	N/A
Rear Wheel Track	24.75 in (63 cm)
Gnd Clearance @ Differential	4.0 in (10 cm)
Cargo Deck Width	29.0 in (74 cm)
Cargo Deck Length	48.0 in (122 cm)
Cargo Deck Material	Plywood

Performance	
Capacity	1 Person (Standing)
Dry Weight	490.0 lb (225 kg) (Without Batteries)
Curb Weight	740.0 lb (335 kg)
Cargo Deck Load Capacity	750.0 lb (340 kg)
Vehicle load capacity	1000.0 lb (450 kg)
Outside Clearance Circle	10.5 ft (3.2 m)
Intersecting Aisle Clearance	56.0 in (142 cm)
Speed (Level Ground)	9 mph max (14 kph max)
Towing Capacity (Draw Bar)	100 lb (45 kg) Normal. 840 lb (380 kg) at stall

Vehicle Power	
Power Source	24 Volts DC
Motor Type	Series Wound
Horsepower (kW)	1.5 hp (1.1 kW) @ 2800 rpm
Electrical System	24 Volt
Batteries (Qty, Type)	Four, 6 Volt Deep Cycle
Key or Pedal Start	Pedal Start
Battery Charger	24 V, 120 VAC On-Board, UL & CSA
Speed Controller	Solid State 275 Amp Rated
Drive Train	Motor Shaft Direct Drive
Transaxle	Differential with helical gears
Gear Selection	Dash Mounted Forward-Neutral-Reverse
Rear Axle Ratio	14.78:1

Steering & Suspension	
Steering	Direct Chain & Linkage
Front Suspension	Solid
Rear Suspension	Solid
Service Brake	Rear Wheel Mechanical Drum
Parking Brake	Automatic
Front Tire	4.80 x 8 (Load Range B)
Rear Tires	4.80 x 8 (Load Range B)

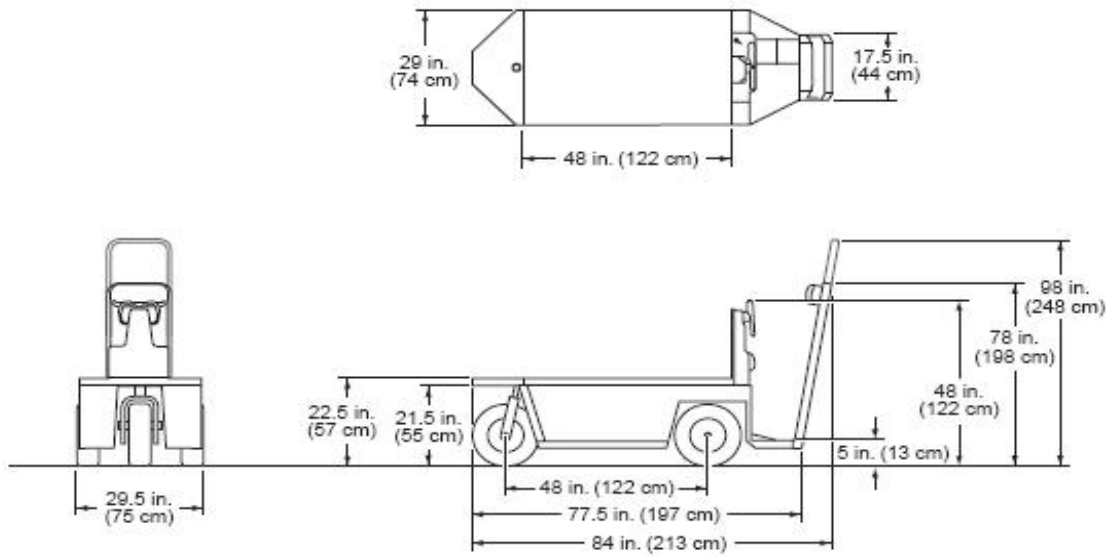
Body & Chassis	
Frame & Body	Welded steel with DuraShield™ powder coat
Body & Finish	Diamond plate pattern. Polyester primer/Acrylic Yellow
Standard Color	Yellow

Some items shown may be optional equipment

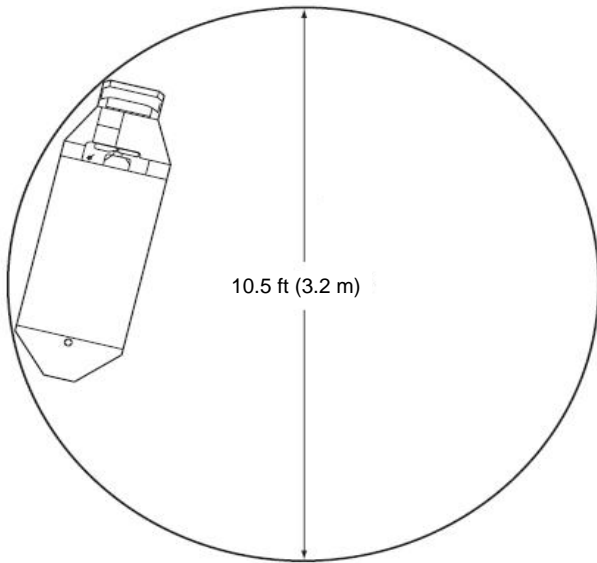
OPTIONS & FIELD INSTALLED ACCESSORIES (Installation not included)*

Item	Std	Opt	Fld	Item	Std	Opt	Fld
TIRES & WHEELS:				ELECTRICAL:			
Front:				Battery Chargers			
4.80 x 8 (Load Range B)		●		Lester 24V - 120V/60HZ On-board Charger, UL & CSA	●		
4.80 x 8 - Foam Filled Tires			●	Lester 24V - 120V/60HZ Portable Charger			●
Rear:				Lester 24V - 240V/50 HZ CE Approved Portable Charger			●
4.80 x 8 (Load Range B)		●		Batteries			
4.80 x 8 - Foam Filled Tires			●	Exide 24V E3600 Battery Pack	●		
COLORS:				Trojan 24V T145 Battery Pack			●
Body Color - Yellow		●		Battery Trays			
Body Color - White			●	Lift Out Battery Tray			●
Body Color - Red			●	System			
HAULING & TOWING:				On-board Electrical System Configuration	●		
Plywood Cargo Deck		●		Portable Electrical System Configuration			●
Galvanized Steel Cargo Deck			●	Portable Electrical System for CE Configuration			●
Stainless Steel Cargo Deck			●	Lighting			
Side Rail Kit			●	Headlights & Tail Lights			●
Counterweight Kit			●	Miscellaneous Electrical:			
Pintle Hitch			●	Horn	●		
"E" Hitch			●	Hour Meter			●
OTHER PERFORMANCE:				State of Charge Meter			●
Ladder - 4 Steps		●		Forward Motion Indicator			●
Ladder - 6 Steps (Includes Counterweight)		●		VEHICLE CERTIFICATIONS & KITS			
				Underwriters Laboratories (UL) Type 'E' Certification	●		
				Underwriters Laboratories (UL) Type 'EE' Certification			●
				CE Kit			●

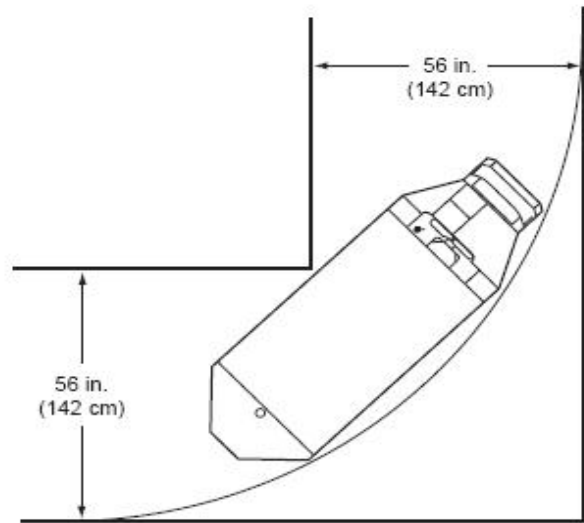
DIMENSIONS



CLEARANCE DIAGRAMS



TURNING CLEARANCE DIAMETER



INTERSECTING AISLE CLEARANCE