

**MODEL: BELLHOP 4**  
**TYPE: ELECTRIC POWERED PERSONNEL CARRIER**  
**MODEL YEAR: 2010**  
**Part No.: 600918**



## PRODUCT SPECIFICATION

### CONFIGURATION HIGHLIGHTS

**Precision Drive System™ (PDS):** Factory programmable to application

- Solid State continuously variable separately excited speed controller
- Dash mounted direction selector switch (Forward-Neutral-Reverse)
- Anti-roll back, walkaway braking and alarm
- Anti-stall motor protection
- Regenerative 'Pedal Down' and/or 'Pedal Up' braking
- Eight, 6 Volt Deep Cycle
- Full torque, reduced speed reverse
- Inductive throttle sensor
- Diagnostic indicator
- Factory selectable performance options

**Battery Charger:** Delta Q, 48 VDC. H120/230 VAC 50/60 Hz. Underwriters Laboratories (U.L.) Listed, (C.S.A. Certified)

**Motor:** 48 volt DC shunt wound, brazed armature, solid copper windings. Intermittant Horsepower 18.1 hp (13.5 kW) at 1900 rpm (1hour)

**Drive Train:** Direct motor shaft connected to transaxle pinion shaft

**Electrical System:** 48 Volt DC, eight, 6 volt deep cycle storage batteries (107 minute, 225 amp-hour @ 20 hr. discharge rate)

**Transaxle:** Differential with helical gears

**Brakes:** Dual rear wheel mechanical self-adjusting drum brakes. Automatic single point park brake release with self-compensating system

## PRODUCT OVERVIEW

### Dimensions

Overall Length	133.0 in (338 cm)
Overall Width	46.5 in (119 cm)
Overall Height (No Canopy)	48.6 in (123 cm) (Top of steering wheel)
Overall Height (With Canopy)	72.0 in (183 cm)
Wheel Base	93.5 in (237 cm)
Front Wheel Track	34.2 in (86.7 cm)
Rear Wheel Track	38.0 in (97 cm)
Gnd Clearance @ Differential	4.3 in (11 cm)
Cargo Box Width (inside)	42.5 in (108 cm)
Cargo Box Length (inside)	32.0 in (80 cm)
Cargo Box Depth (inside)	11.5 in (29 cm)
Cargo Box Capacity	9 cu ft (.25 m3)
Cargo Box material	Wood Stake Sides

### Vehicle Power

Power Source	48 Volts DC
Motor Type	Shunt Wound
Continuous Horsepower (kW)	2.5 hp (1.9 kW)
Intermittent Horsepower (kW)	18.1 hp (13.5 kW) @ 1900 rpm
Electrical System	48 Volt
Batteries (Qty, Type)	Eight, 6 Volt Deep Cycle
Key or Pedal Start	Pedal Start
Battery Charger	48 VDC Delta Q, 120/230 VAC, UL & CSA
Speed Controller	400 Amp Precision Drive System (PDS)
Drive Train	Motor Shaft Direct Drive
Transaxle	Differential with helical gears
Gear Selection	Dash Mounted Forward-Neutral-Reverse

Rear Axle Ratio 14.7:1

### Performance

Seating Capacity	4 Person
Dry Weight	710 lb (320 kg) (Without Batteries)
Curb Weight	1200 lb (540 kg)
Vehicle load capacity	1198 lb (540 kg)
Outside Clearance Circle	25.5 ft (7.8 m)
Intersecting Aisle Clearance	94.0 in. (240 cm)
Speed (Level Ground)	13 mph ± 0.5 mph (21 kph ± 0.8 kph)

### Steering & Suspension

Steering	Self-compensating rack and pinion
Front Suspension	Leaf springs with hydraulic shock absorbers
Rear Suspension	Leaf springs with hydraulic shock absorbers
Service Brake	Rear wheel mechanical self-adjusting drum
Parking Brake	Self-compensating, single point engagement
Front Tires	Links 18 x 8.50 - 8 (4 Ply Rated)
Rear Tires	Links 18 x 8.50 - 8 (4 Ply Rated)

### Body & Chassis

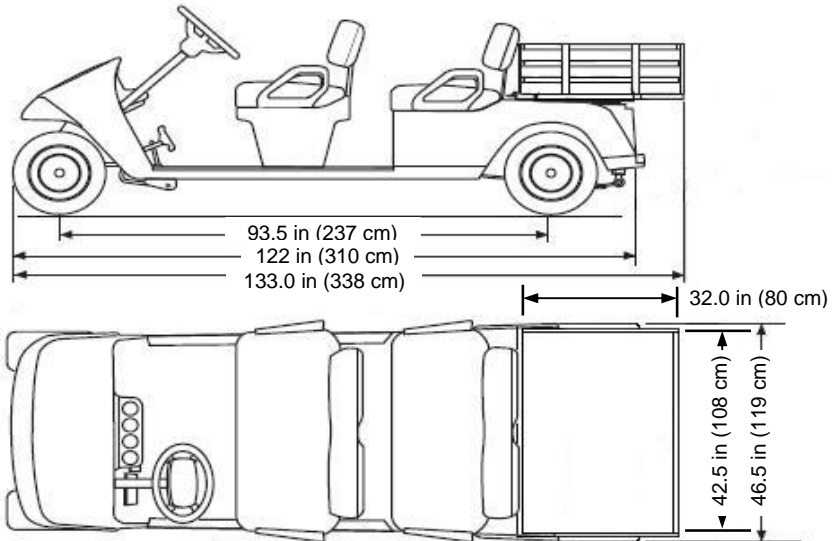
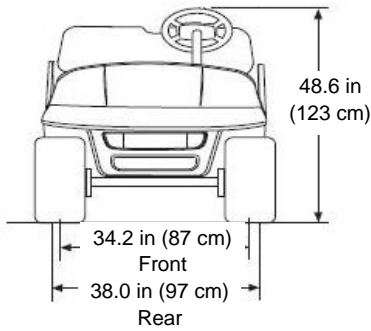
Frame	Welded steel. DuraShield™ powder coat
Body & Finish	Injection molded TPO
Seat Pod	Fiberglass & Gelcoat
Standard Color	Champagne

*Some items shown may be optional equipment*

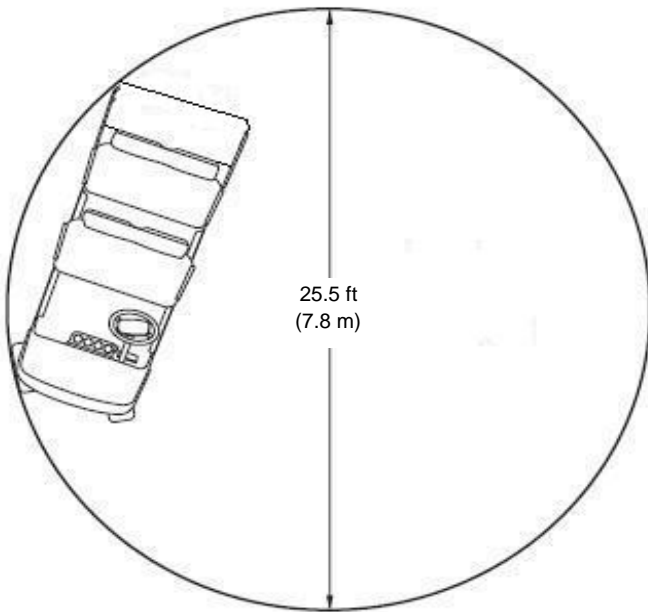
**OPTIONS & FIELD INSTALLED ACCESSORIES (Installation not included)\***

Item	Std	Opt	Fld	Item	Std	Opt	Fld
<b>TIRES &amp; WHEELS:</b>				<b>Batteries:</b>			
<b>Front:</b>				Trojan T105			
Links 18 x 8.50 - 8 (4 Ply Rated)	●			Trojan T145 Lo-Profile		●	
USA Trail 18 x 8.50 - 8 (Load Range C)		●		<b>Lighting</b>			
<b>Rear:</b>				Headlights			
Links 18 x 8.50 - 8 (4 Ply Rated)	●			Tail Lights			
USA Trail 18 x 8.50 - 8 (Load Range C)		●		Brake Lights			
<b>Wheel Covers:</b>				Turn Signals with 4-Way Flashers			
Spoke, Black & Gold		●		<b>Miscellaneous Electrical:</b>			
Spoke, Black & Silver		●		Horn			
Chrome 8 in (20 cm)		●		State of Charge Meter			
<b>COLORS:</b>				DC Converter (20 Amp)			
Champagne Body	●			Hour Meter			
Hunter Green Body		●		Individual Key Switch			
Bright White Body		●		Unique Group Key Switch			
Black Body		●		<b>WEATHER PROTECTION:</b>			
Flame Red Body		●		Sun Canopy 118 in (300 cm) (Beige)			
Yellow Body		●		Sun Canopy 118 in (300 cm) (White)			
<b>Pin Stripes:</b>				Windshield Flat			
Gold		●		Windshield Fold Down			
Dark Green		●		<b>ADDITIONAL OPTIONS &amp; FIELD INSTALL ACCESSORIES</b>			
White		●		Ash Tray			
Black		●		Rear View Mirror (Sun Canopy Required)			
Burgundy		●					
Non Standard Color		●					
<b>Seating:</b>							
Oyster Seats	●						
Tan Seats		●					
Gray Seats		●					
White Seats		●					
<b>Vehicle Configuration - Rear</b>							
Stake Side Bed	●						
Convertible Carrier (Flip Flop Seat) - Oyster		●					
Convertible Carrier (Flip Flop Seat) - Tan		●					
Convertible Carrier (Flip Flop Seat) - Gray		●					
Convertible Carrier (Flip Flop Seat) - White		●					
<b>VEHICLE PERFORMANCE</b>							
Hydraulic Front Disc Brakes		●					
<b>ELECTRICAL:</b>							
<b>Battery Chargers:</b>							
48 VDC PowerWise™, 120 VAC, UL & CSA	●						
48 VDC PowerWise™, 230 VAC, 50 Hz		●					
48 VDC Delta-Q, 10 ft (3 m) DC Cord		●					
48 VDC Delta-Q, 18 ft (5.5 m) DC Cord			●				
Battery Charger Delete		●					

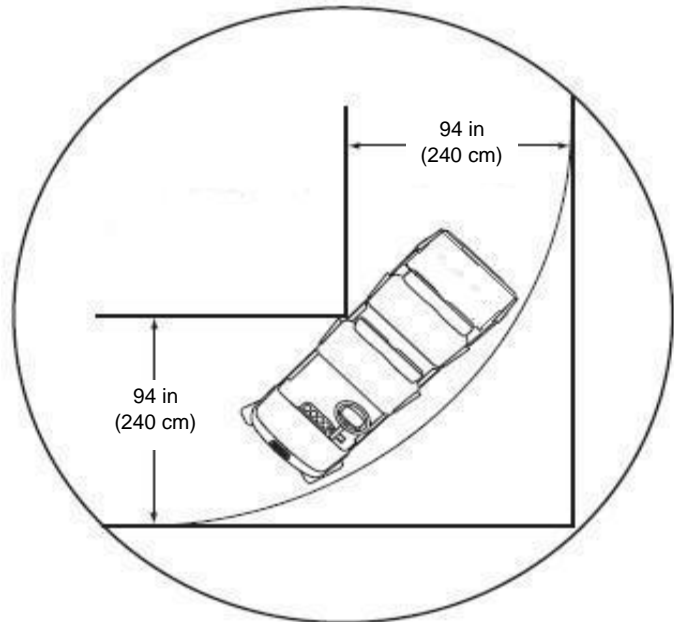
**DIMENSIONS**



**CLEARANCE DIAGRAMS**



**TURNING CLEARANCE DIAMETER**



**INTERSECTING AISLE CLEARANCE**

**MODEL: BELLHOP 4**  
**TYPE: GAS POWERED PERSONNEL CARRIER**  
**MODEL YEAR: 2010**  
**Part No.: 605783\*, 606679\* California**



\* Same as Bellhop 6 with Cargo Box option selected

## PRODUCT SPECIFICATION

### CONFIGURATION HIGHLIGHTS

<b>Engine:</b>	13 hp (9.7 kW) Exceeds SAE J1940 Standard, 4 cycle, 24.5 ci (401 cc) single cylinder, air-cooled by Kawasaki		
● <b>Valve Train:</b>	Overhead valve	● <b>Fuel System:</b>	Fixed float bowl with remote pulse fuel pump
● <b>Lubrication:</b>	Pressurized oil system, spin-on oil filter	● <b>Ignition:</b>	Electronic spark/magneto
● <b>Balancer:</b>	Internal counter rotating balance shaft	● <b>Air Cleaner:</b>	Replaceable dry cartridge
<b>Electrical:</b>	Starter/Generator, solid-state regulator, 12 Volt maintenance free battery (425 CCA, 60 minute reserve)		
<b>Drive Train:</b>	Automatic, continuously variable transmission (CVT)		
<b>Brakes:</b>	Dual rear wheel mechanical self-adjusting drum brakes. Single point park brake release with self-compensating system		
<b>Transaxle:</b>	Differential with helical gears, ground speed governor, forward/reverse		

## PRODUCT OVERVIEW

### Dimensions

Overall Length	133.0 in (338 cm)
Overall Width	46.5 in (119 cm)
Overall Height (No Canopy)	48.6 in (123 cm) (Top of steering wheel)
Overall Height (With Canopy)	72.0 in (183 cm)
Wheel Base	93.5 in (237 cm)
Front Wheel Track	34.2 in (86.7 cm)
Rear Wheel Track	38.0 in (97 cm)
Gnd Clearance @ Differential	4.3 in (11 cm)
Cargo Box Width (inside)	42.5 in (108 cm)
Cargo Box Length (inside)	32.0 in (80 cm)
Cargo Box Depth (inside)	11.5 in (29 cm)
Cargo Box Capacity	9 cu ft (.25 m <sup>3</sup> )
Cargo Box material	Wood Stake Sides

### Vehicle Power

Power Source	4 Cycle 24.5 cu in (401 cc). Low Emission
Valve Train	Single Cylinder OHV
Horsepower (kW)	13 hp (9.7 kW) Exceeds SAE J1940 Std.
Electrical System	Starter/Generator. Solid State Regulator
Battery (Qty, Type)	One, 12 Volt Maintenance Free
Key or Pedal Start	Pedal
Air Cleaner	Industrial Rated Dry Filter
Lubrication	Pressurized Oil System
Oil Filter	Spin-On
Cooling System	Air Cooled
Fuel Capacity	5.8 Gallon (22.0 L) tank
Drive Train	Continuously variable transmission (CVT)
Transaxle	Differential with helical gears
Gear Selection	Forward - Reverse
Rear Axle Ratio	11.42:1 (Forward) 15.78:1 (Reverse)

### Performance

Seating Capacity	4 Person
Dry Weight	886 lb (400 kg)
Curb Weight	926 lb (420 kg)
Bed Load Capacity	400 lb (180 kg)
Vehicle load capacity	1200 lb (540 kg)
Outside Clearance Circle	25.5 ft (7.8 m)
Intersecting Aisle Clearance	94.0 in (240 cm)
Speed (Level Ground)	16 mph ± 0.5 mph (26 kph ± 0.8 kph)
Towing Capacity	N/A

### Steering & Suspension

Steering	Self-compensating reduction rack and pinion
Front Suspension	Leaf springs with hydraulic shock absorbers
Rear Suspension	Leaf springs with hydraulic shock absorbers
Service Brake	Rear wheel mechanical self-adjusting drum
Parking Brake	Self-compensating, single point engagement
Front Tires	Links 18 x 8.50 - 8 (4 Ply Rated)
Rear Tires	Links 18 x 8.50 - 8 (4 Ply Rated)

### Body & Chassis

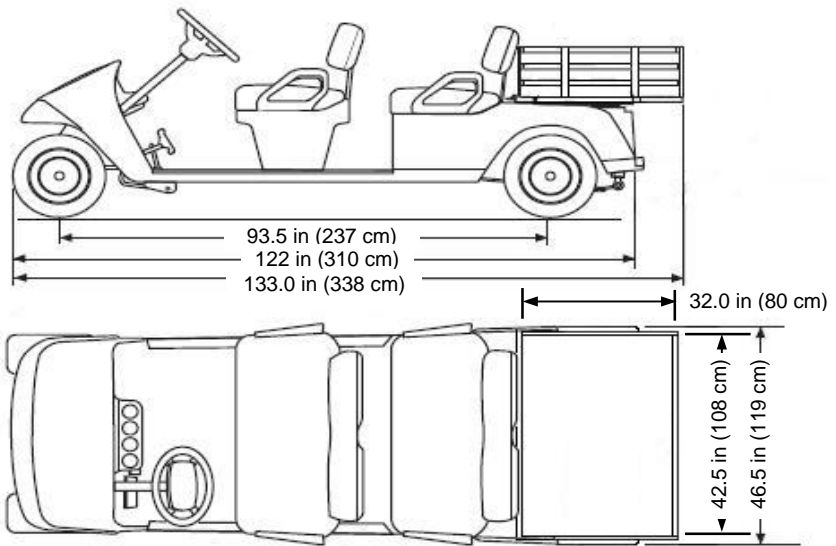
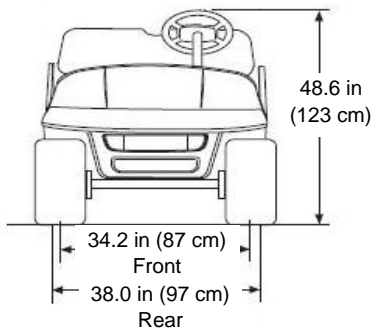
Frame	Welded steel. DuraShield™ powder coat
Front & Rear Body & Finish	Injection molded TPO
Seat Pod & Finish	Fiberglass & Gelcoat
Standard Color	Champagne

*Some items shown may be optional equipment*

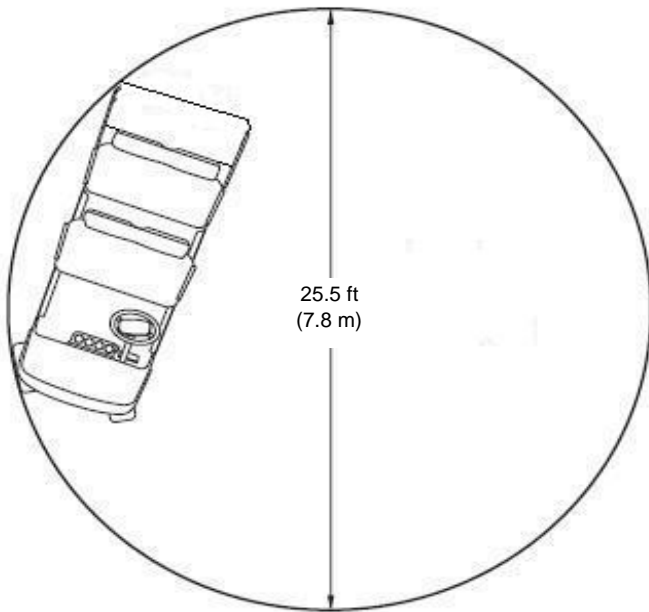
## OPTIONS & FIELD INSTALLED ACCESSORIES (Installation not included)\*

Item	Std	Opt	Fld	Item	Std	Opt	Fld
<b>TIRES &amp; WHEELS:</b>				<b>Miscellaneous Electrical:</b>			
<b>Front:</b>				Horn			
Links 18 x 8.50 - 8 (4 Ply Rated)	●			Fuel Gauge with Low Oil Indicator	●		
USA Trail 18 x 8.50 - 8 (Load Range C)		●		Hour Meter		●	
<b>Rear:</b>				Individual Key Switch			
Links 18 x 8.50 - 8 (4 Ply Rated)	●			Unique Group Key Switch		●	
USA Trail 18 x 8.50 - 8 (Load Range C)		●		<b>WEATHER PROTECTION:</b>			
<b>Wheel Covers:</b>				Sun Canopy (Top) Beige			
Spoke, Black & Gold		●		Sun Canopy (Top) White		●	
Spoke, Black & Silver		●		Windshield Flat		●	
Chrome 8 in (20 cm)		●		Windshield Fold Down		●	
<b>COLORS:</b>				<b>OTHER OPTIONS &amp; FIELD INSTALL ACCESSORIES</b>			
Champagne Body	●			Ash Tray		●	
Hunter Green Body		●		Rear View Mirror (Sun Canopy Required)		●	
Bright White Body		●		<b>VEHICLE CERTIFICATION KIT(S)</b>			
Black Body		●		CE Kit		●	
Flame Red Body		●					
Yellow Body		●					
<b>Pin Stripes:</b>							
Gold		●					
Dark Green		●					
White		●					
Black		●					
Burgundy		●					
Non Standard Color		●					
<b>Seating:</b>							
Oyster Seats	●						
Tan Seats		●					
Gray Seats		●					
White Seats		●					
<b>Vehicle Configuration - Rear</b>							
Stake Side Bed	●						
Convertible Carrier (Flip Flop Seat) - Oyster		●					
Convertible Carrier (Flip Flop Seat) - Tan		●					
Convertible Carrier (Flip Flop Seat) - Gray		●					
Convertible Carrier (Flip Flop Seat) - White		●					
<b>VEHICLE PERFORMANCE</b>							
Hydraulic Front Disc Brakes		●					
High Altitude Jetting (3k-6k ft. & >6k ft.)		●					
Clutch Belt Shield			●				
<b>ELECTRICAL</b>							
<b>Lighting:</b>							
Headlights		●					
Tail lights		●					
Brake Lights		●					
Turn Signals with 4-way Flashers		●					

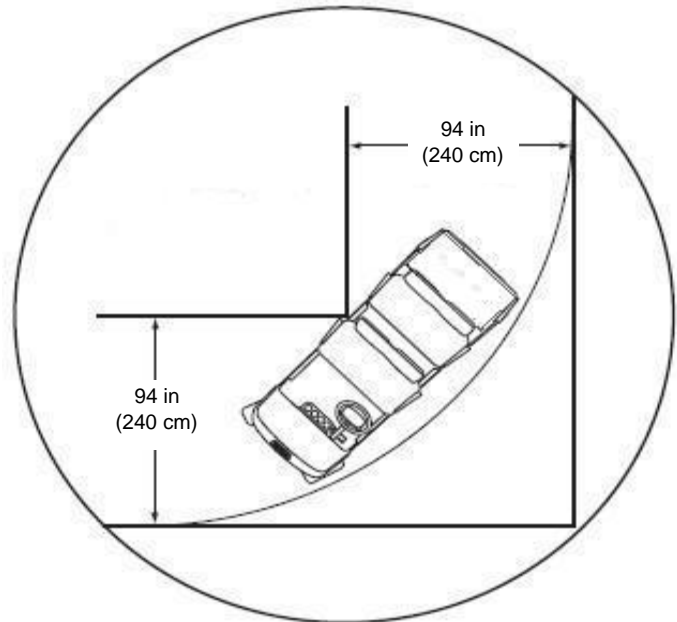
## DIMENSIONS



## CLEARANCE DIAGRAMS



**TURNING CLEARANCE DIAMETER**



**INTERSECTING AISLE CLEARANCE**