

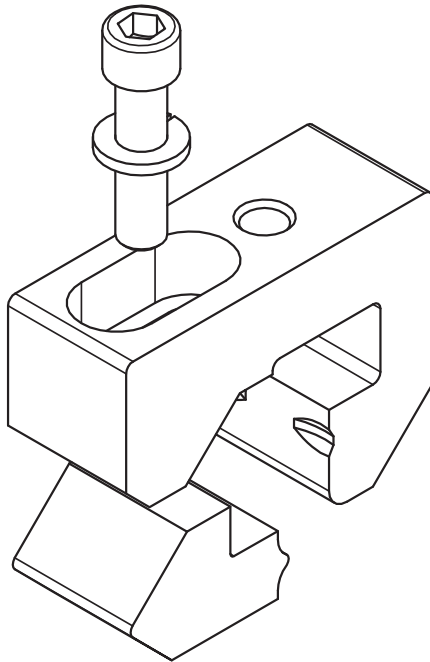
ACECLAMP® JR Technical Datasheet

Pub 100602-1td V1.0 June 2010

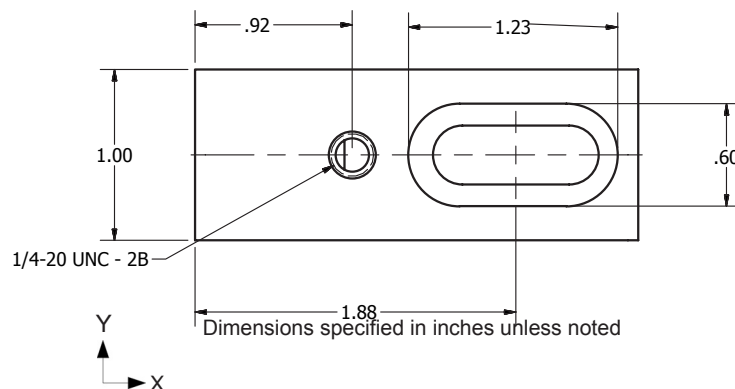
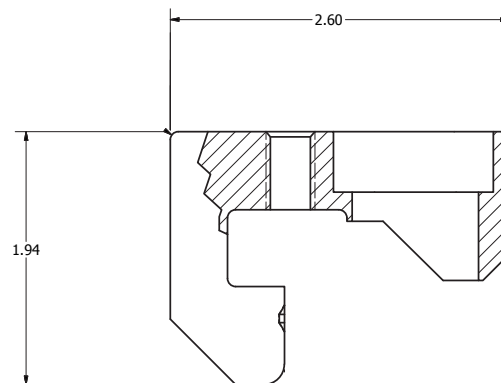
ACECLAMP® JR Primary Block - 1/4"	1
ACECLAMP® JR Primary Block - 3/8"	2
ACECLAMP® JR Assembly	2
ACECLAMP® JR - Shown with Top Mounting Hardware	3

ACECLAMP® JR - 1/4"

Catalog No. 004030M



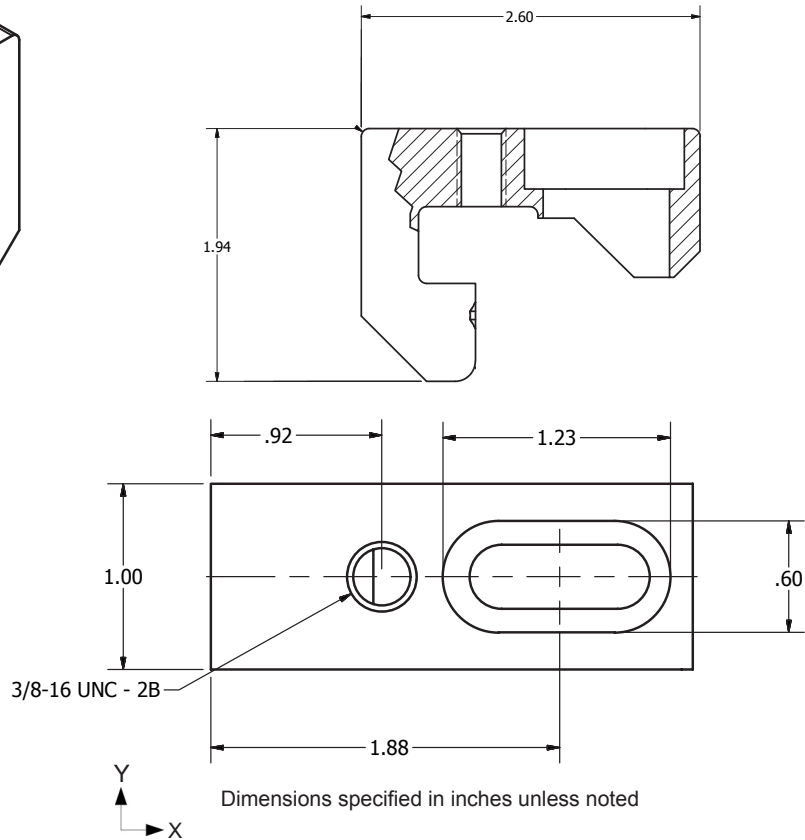
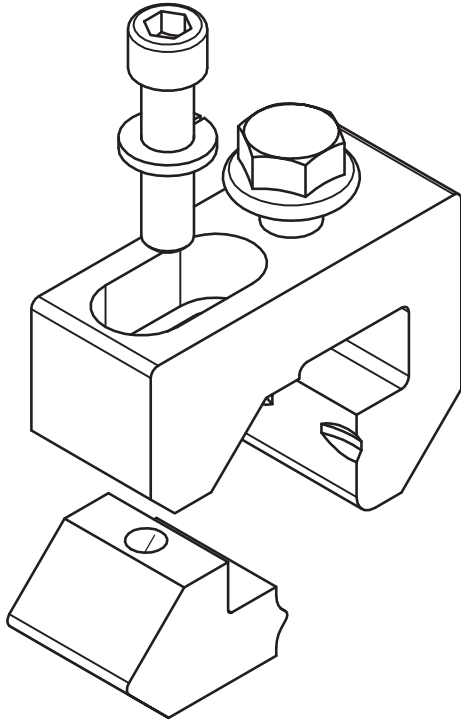
- **Ace Clamp Primary Block-1/4" Material:**
Mill Finish Extruded Aluminum Alloy 6061-T6
- **Ultimate Tensile:** 45 ksi (310 MPa)
- **Yield:** 40 ksi (275 MPa)
- **Ace Clamp Primary Block-1/4" Weight:**
0.25 lbs (113 g)
- Resistance factors and safety factors are determined according to Part 1 Section 9 of the 2005 Aluminum Design Manual



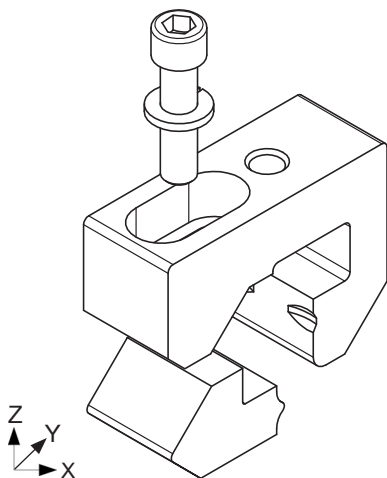
ACECLAMP® JR - 3/8"

Catalog No. 004031M

- **Ace Clamp Primary Block-3/8" Material:**
Mill Finish Extruded Aluminum Alloy 6061-T6
- **Ultimate Tensile:** 45 ksi (310 MPa)
- **Yield:** 40 ksi (275 MPa)
- **Ace Clamp Primary Block-3/8" Weight:**
0.25 lbs (113 g)
- Resistance factors and safety factors are determined according to Part 1 Section 9 of the 2005 Aluminum Design Manual



ACECLAMP® JR Assembly

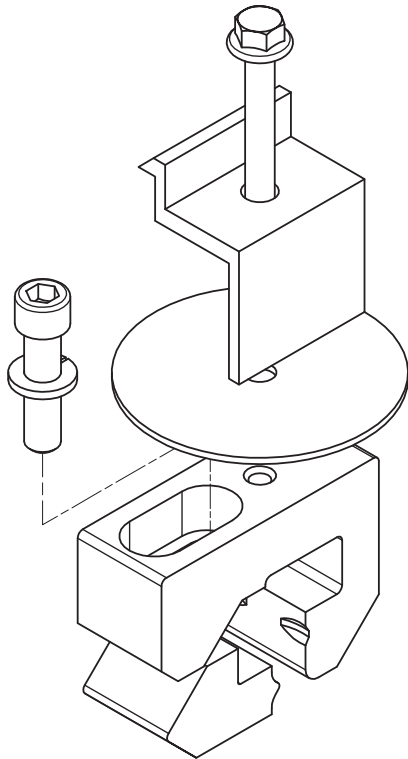


Dimensions specified in inches unless noted

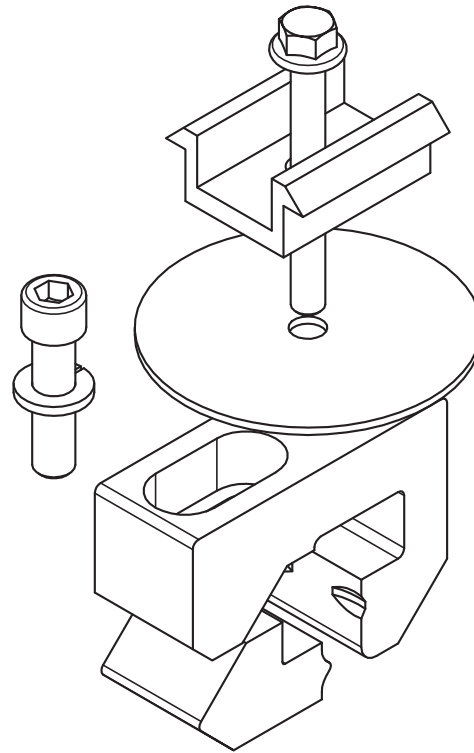
Applied Load Direction	Average Ultimate (lbs)	Design Factor Φ	Design Load (lbs)	Safety Factor FS	Allowable Load (lbs)
Lateral Parallel to Seam (X)	123	0.35	42.7	4.36	28
Lateral Perpendicular to Seam (Y)	1071	0.41	441.5	3.67	292
Tension (+Z)	336.5	0.51	172.5	2.95	114
Compression (-Z)	1374	0.39	542.7	3.88	354

Allowable and Design Loads are valid when ACECLAMP® JR is assembled on a 24-ga standing seam metal roof panel, with a torque value of 175 in-lbs or 14.58 ft-lbs.

ACECLAMP® JR - SHOWN WITH TOP MOUNTING HARDWARE



END CLAMP



MID CLAMP

Note: Top mounting hardware purchased separately. Please refer to product catalog for additional details.

Top mounting components must be assembled with the ACECLAMP® JR according to authorized Unirac documents.

ACECLAMP® PATENT NO. = 7.386.922.B1

For product and purchasing inquiries contact:

ecodirect

CLEAN ENERGY SOLUTIONS

www.ecodirect.com