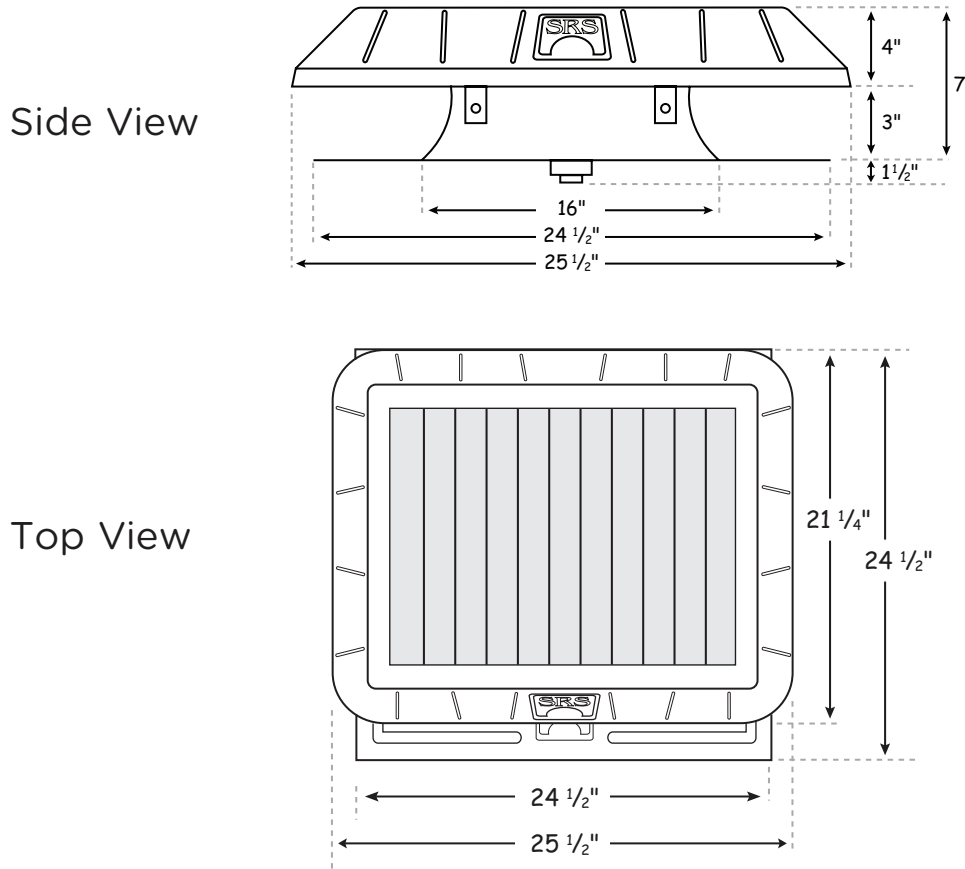


The SunRise® Attic Fan Flat Base Model



Features:

Solar Panel: Impact resistant crystalline with tempered glass surface

Motor: Ultra quiet, DC with external brushes

Wire: 18/2 red/black

Fan Blade: 12" diameter, 5-blade aluminum with balanced hub

Hardware: Stainless steel motor brackets, fasteners, and screen, aluminum rivets

Top and Base: UV-Stabilized ABS plastic (paintable)

Airflow: The more intense the sun shines, the faster the SunRise runs

Warranty: 5 Year Warranty on Motor
10 Year Warranty on Panel

Unit Dimensions: Height 7", Top 25.5" x 21.25"

Base Size: 24.5" x 24.5"

Unit Weight: 17 lbs

Shipping Weight: 19 lbs

Package Size: 27.25" x 25.5" x 11.25" wide

Available Models: FB 850, FB 850 FT*

FB 1050, FB 1050 FT*

FB 1250, FB 1250 FT*

FB 1600, FB 1600 FT*

* FT: Optional fixed thermostat turns fan on at 80° and off at 65° during daylight hours

For product and purchase inquiries contact:

ecodirect

CLEAN ENERGY SOLUTIONS

www.ecodirect.com

www.sunrisesolar.net