

DESCRIPTION:
SNAPNRACK, ULTRA RAIL TILT STANDOFF KITS

PART NUMBER(S):
242-92106, 242-92107, 242-92108, 242-92109

DRAWN BY:
 mwatkins

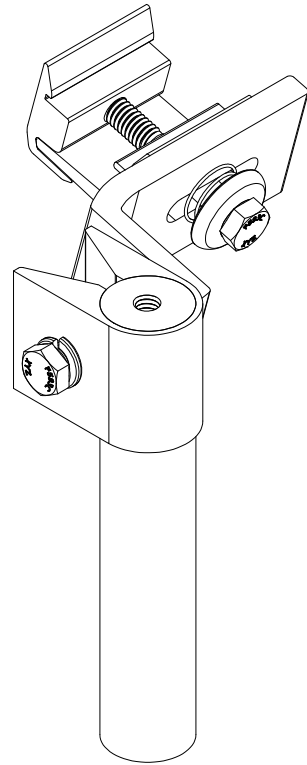
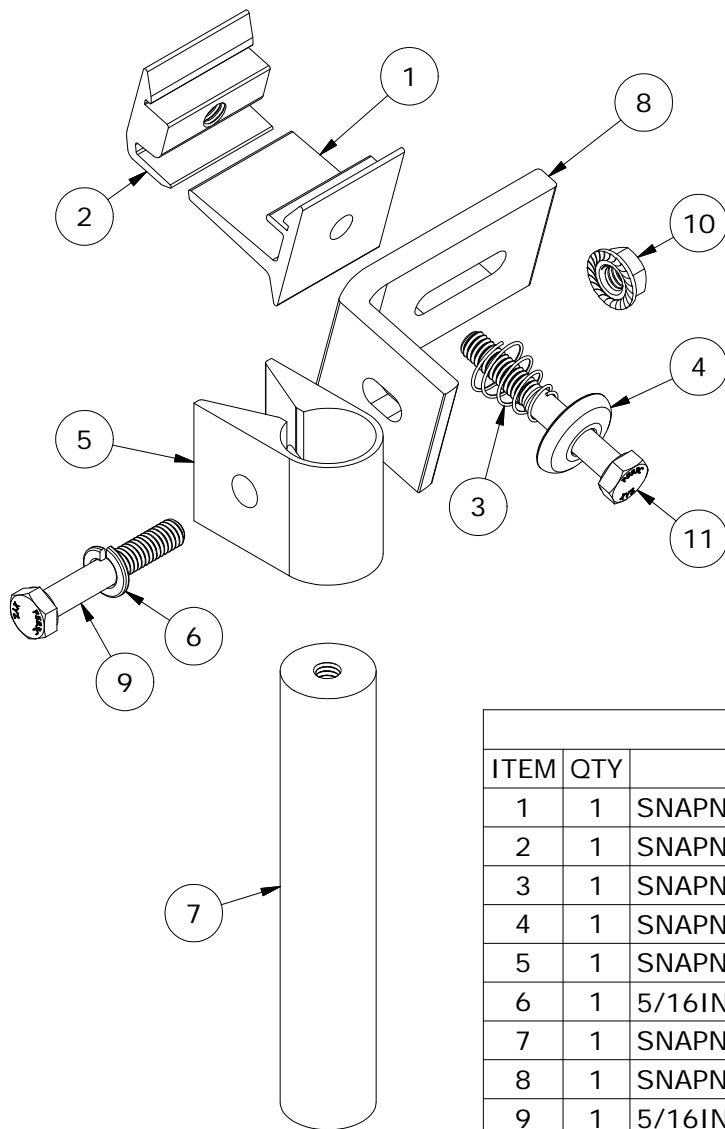
REVISION:
A

SnapNrack™
 Solar Mounting Solutions

595 MARKET STREET, 29TH FLOOR • SAN FRANCISCO, CA 94105 USA
 PHONE (415) 580-6900 • FAX (415) 580-6902

THE INFORMATION IN THIS DRAWING IS CONFIDENTIAL AND PROPRIETARY. ANY REPRODUCTION, DISCLOSURE, OR USE THEREOF IS PROHIBITED WITHOUT THE WRITTEN CONSENT OF SUNRUN SOUTH LLC.

COMPATIBLE WITH FOLLOWING BASES:
 242-00017 - STANDOFF BASE, 1-HOLE
 242-02218 - STANDOFF BASE, 4-HOLE
 242-02036 - METAL ROOF BASE



PARTS LIST		
ITEM	QTY	DESCRIPTION
1	1	SNAPNRACK, ULTRA RAIL MOUNT THRU PRC, CLEAR
2	1	SNAPNRACK, ULTRA RAIL MOUNT TAPPED PRC, CLEAR
3	1	SNAPNRACK, ULTRA RAIL MOUNT SPRING, SS
4	1	SNAPNRACK, ULTRA RAIL MOUNT SPRING CAGE, 6061-T6 AL
5	1	SNAPNRACK, STANDOFF CLAMP, CLEAR
6	1	5/16IN SS SPLIT LOCK WASHER
7	1	SNAPNRACK STANDOFF SHAFT, STANDARD, LENGTH VARIES
8	1	SNAPNRACK, AP90 L FOOT PRC, CLEAR
9	1	5/16IN-18 X 2IN SS HCS BOLT
10	1	NUT, FLANGE, SERRATED, 5/16IN-18, SS
11	1	5/16IN-18 X 2-1/4IN SS HCS BOLT

MATERIALS:	6000 SERIES ALUMINUM, STAINLESS STEEL	OPTIONS:
DESIGN LOAD (LBS):	SEE DATASHEET FOR BASE	5.5", 10", 14", 23" LENGTHS
ULTIMATE LOAD (LBS):	SEE DATASHEET FOR BASE	
TORQUE SPECIFICATION:	12 LB-FT	
CERTIFICATION:	UL 2703, FILE E359313	
WEIGHT (LBS):	0.94 - 2.19	

DESCRIPTION:

SNAPNRACK, ULTRA RAIL TILT STANDOFF KITS

DRAWN BY:

mwatkins

REVISION:

A

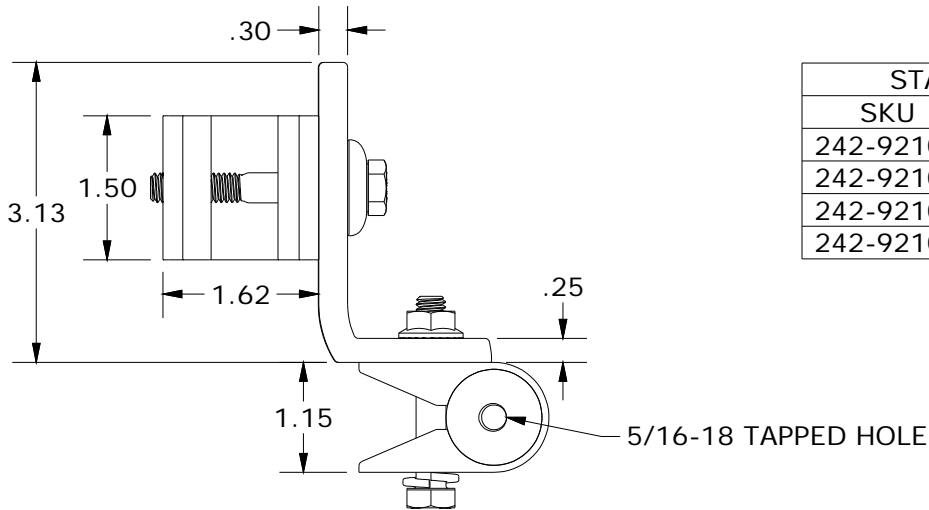
SnapNrack™
Solar Mounting Solutions

PART NUMBER(S):

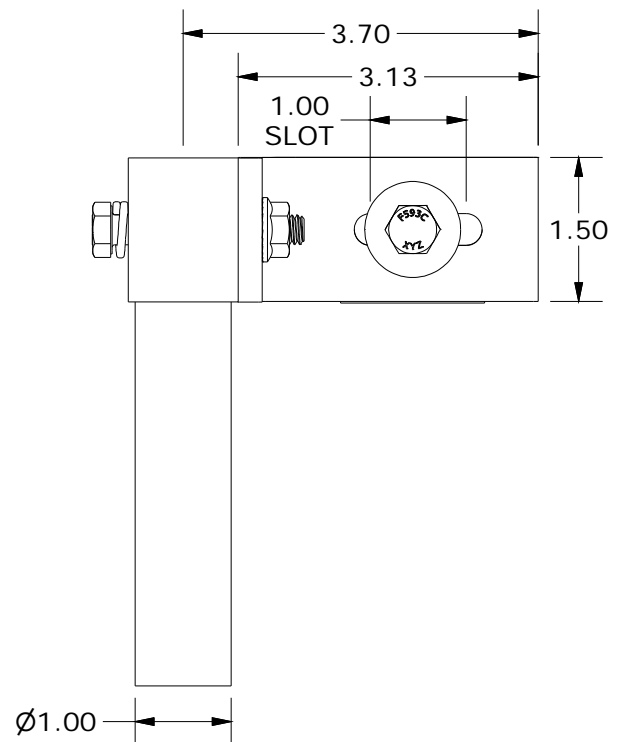
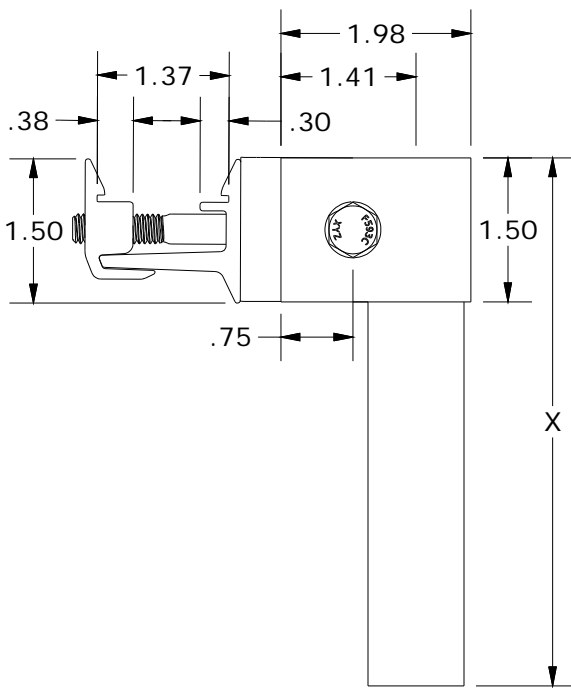
242-92106, 242-92107, 242-92108, 242-92109

595 MARKET STREET, 29TH FLOOR • SAN FRANCISCO, CA 94105 USA
PHONE (415) 580-6900 • FAX (415) 580-6902

THE INFORMATION IN THIS DRAWING IS CONFIDENTIAL AND PROPRIETARY. ANY REPRODUCTION, DISCLOSURE, OR USE THEREOF IS PROHIBITED WITHOUT THE WRITTEN CONSENT OF SUNRUN SOUTH LLC.



STANDOFF PROPERTIES	
SKU	STANDOFF LENGTH (X)
242-92106	5.5"
242-92107	10"
242-92108	14"
242-92109	23"



ALL DIMENSIONS IN INCHES