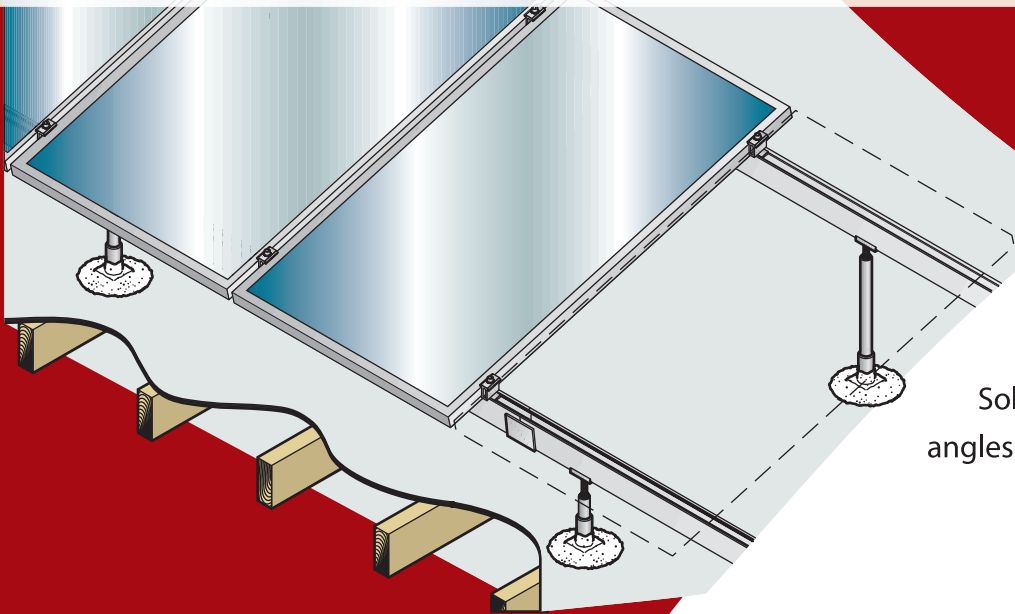


SolarWedge® XD

Patented

Engineered to
8' Spans

110 mph-30 lbs./ft²
Non-snowload only



SolarWedge® XD by Professional Solar Products, Inc. offers a cost effective and easy-to-install mounting solution for flat commercial roofs. The SolarWedge® XD features an 8' span with tilt angles of 5, 10 or 15 degrees.

SolarWedge® XD Features:

8' Attachment Span Capacity:

Versatile attachment span capacity to accommodate variety of roofs, while maintaining a low cost-per-watt.

Roof Friendly:

System does not block water flow allowing proper roof drainage. Roof is fully accessible for future maintenance.

Fully Engineered:

Designed to withstand approx. 110 mph wind load (non-snow load) at 8' spans. Mounting system weighs approximately 1/2 lb. per ft². Approx. 55 lb point loads

Stainless Steel & Aluminum Components:

Anodized aluminum rail and stainless steel hardware. Posts/bases are prepared to help ensure proper sealant/foam adhesion.

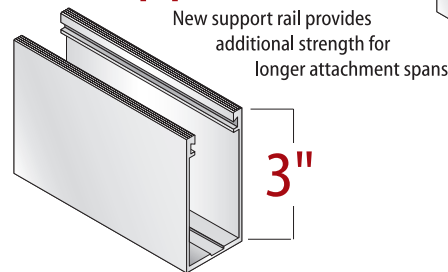
Integrated Leveling System:

Compensates up to 1-1/2" of roof variation (Stainless Steel leveling kit included)

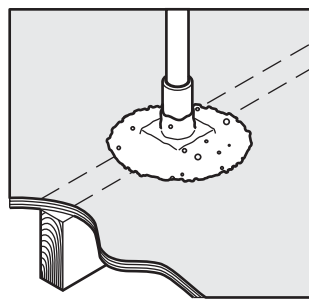
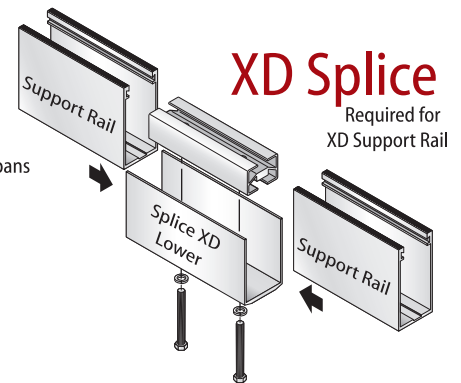
Standardized Parts:

SolarWedge® XD incorporates standard ProSolar components for easy stocking and ordering.

XD Support Rail

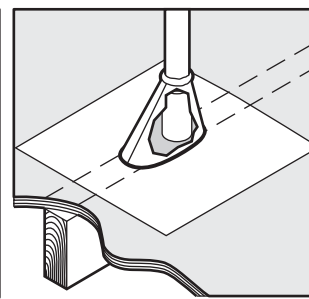


XD Splice



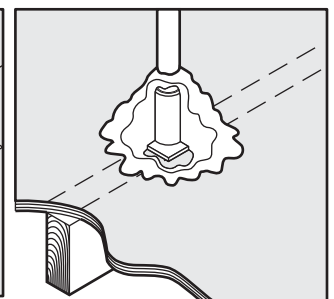
Seal

Using a high quality exterior rated sealant provides an economical and sound sealing method that takes seconds to apply. This method saves time and installation costs!



Flash

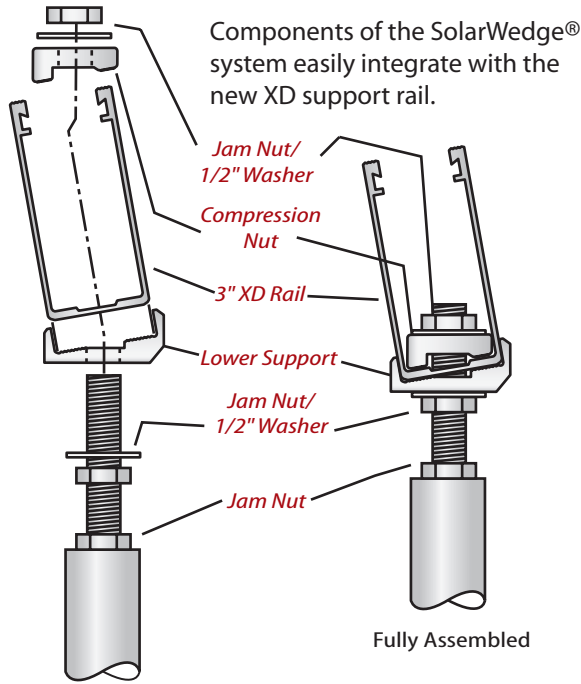
The SolarWedge® is compatible with readily available, standard 1" O.D. roof flashings.



Foam

Using a 2-part hand-held or truck mounted foaming rig, you can create a "flashing" using high density roof foam!

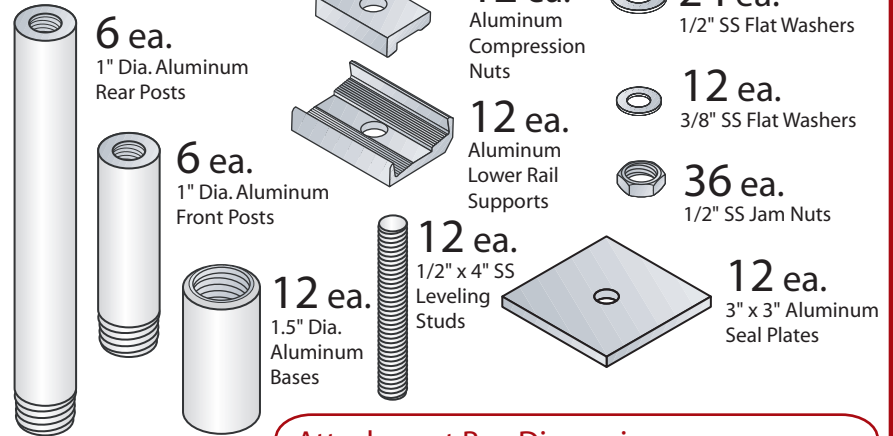
Assembly of the SolarWedge®



Attachment Parts List (Per Box)

Not to scale

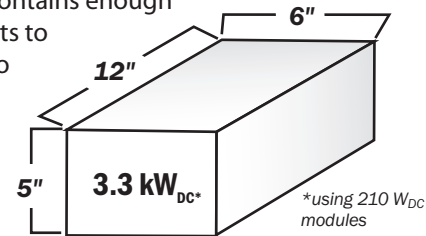
Shipped in a shoe box sized package, the SolarWedge XD attachment components offer easy handling and storage along with reduced shipping costs.



Attachment Box Dimensions

Each box contains enough attachments to install up to 3.3 kW_{DC}

10 Degree Box Dimensions Illustrated



Standard SolarWedge® Technical Information

> Load Tested and engineered to 30 lbs. per ft² (approx. 110mph wind load equivalent)

> Utilizes FoamJack® Laboratory tested to 2,870 lbs. vertical and 2,615 lbs. side lateral pull out using a 3/8" x 6" lag bolt (secured at approx. 6-1/2").

> Structurally attached to the roof - extremely important in areas with potential horizontal and vertical seismic movement such as California.

> Available in 5°, 10° or 15° angles. Optimized to help reduce typical peak summer demand charges.

Front Extension Height*

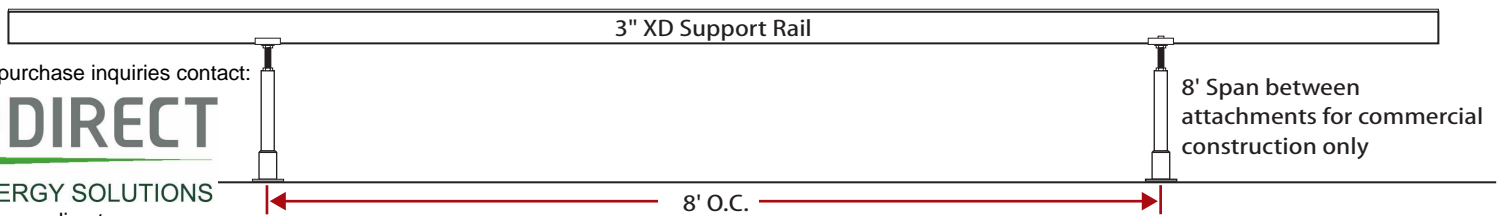
All Angles
6-1/2" +/- 3/4"

Rear Extension Height*

15 Degree
19" +/- 3/4"
10 Degree
14-1/2" +/- 3/4"
5 Degree
11" +/- 3/4"

*Height from roof surface to bottom of support rail

Rear View



Drill Guide (Sold Separately)



The FoamJack® drill guide ensures that pilot holes are drilled 90 degrees to the rafter/beam optimizing the strength and appearance of the connection.

For product and purchase inquiries contact:

ecodirect

CLEAN ENERGY SOLUTIONS
www.ecodirect.com

professional
SOLAR
products inc.

(805)486-4700

(805)486-4799 - fax
1551 S. Rose Ave.
Oxnard, CA 93033

www.prosolar.com

Three Sizes Available

SW5-6 (5 Degree Kit)
SW10-6 (10 Degree Kit)
SW15-6 (15 Degree Kit)

Patent #6,360,491 and D547262

SWXD20080219