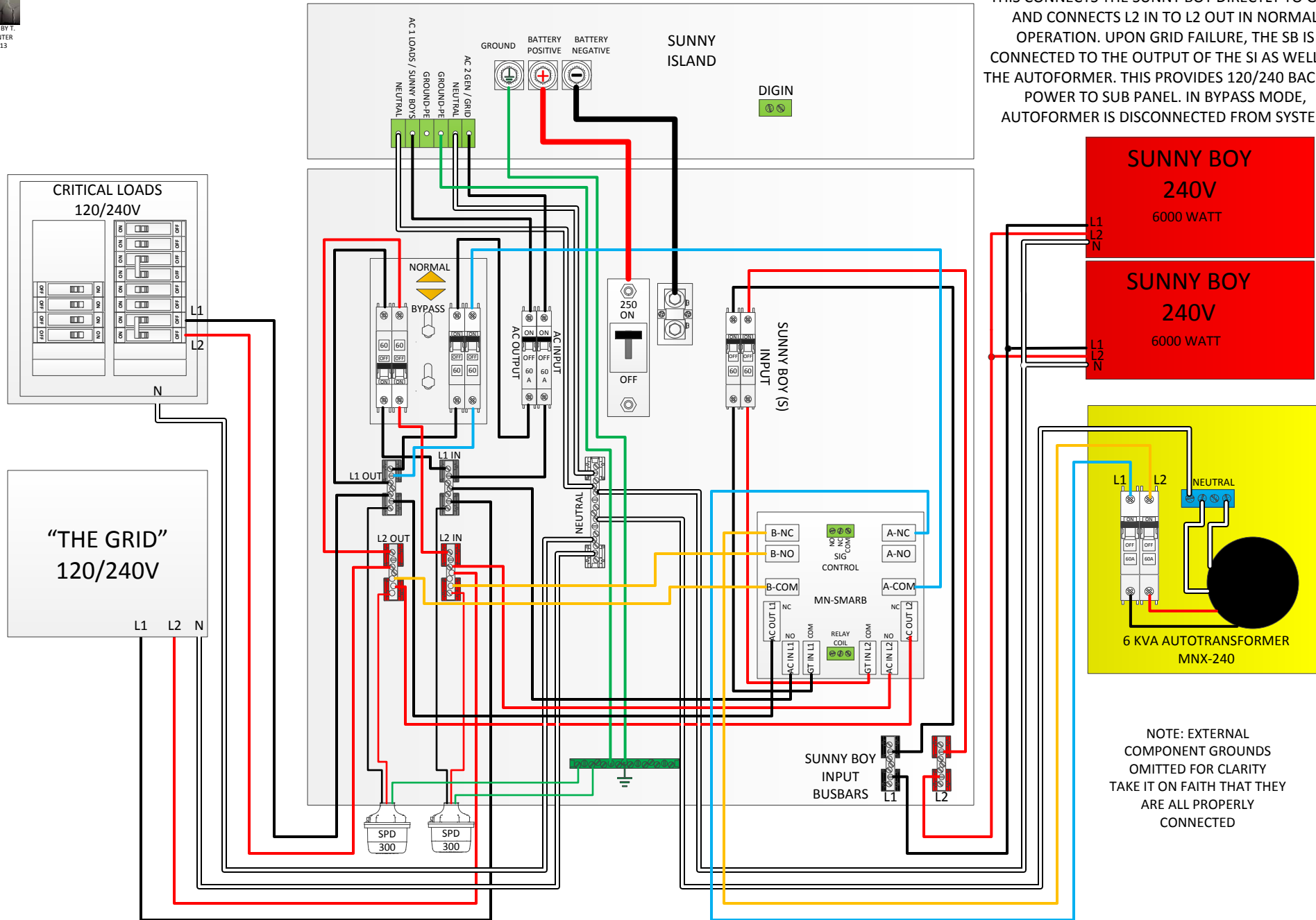


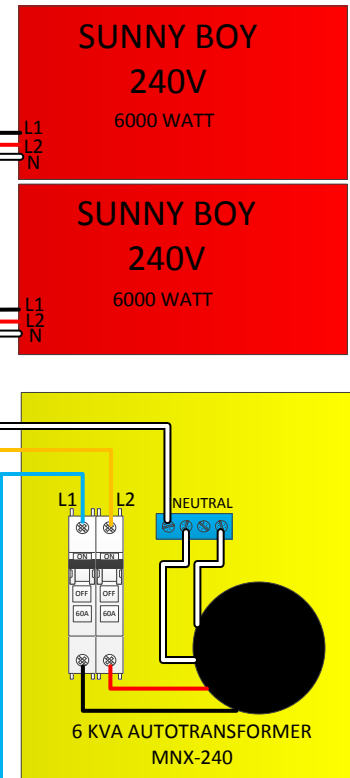


DRAWN BY T. CARPENTER 3/22/13

# SMA AC COUPLED SYSTEM WIRING FOR SINGLE SUNNY ISLAND ONLY



IN THIS CONFIGURATION, THE AUTOFORMER IS CONNECTED TO THE OUTPUT TBB WHEN GRID FAILS. THE RELAY IS SET FOR "SMA" AND WILL BE ENERGISED BY THE GRID INPUT CIRCUIT. THIS CONNECTS THE SUNNY BOY DIRECTLY TO GRID AND CONNECTS L2 IN TO L2 OUT IN NORMAL OPERATION. UPON GRID FAILURE, THE SB IS CONNECTED TO THE OUTPUT OF THE SI AS WELL AS THE AUTOFORMER. THIS PROVIDES 120/240 BACK UP POWER TO SUB PANEL. IN BYPASS MODE, AUTOFORMER IS DISCONNECTED FROM SYSTEM



NOTE: EXTERNAL COMPONENT GROUNDS OMITTED FOR CLARITY TAKE IT ON FAITH THAT THEY ARE ALL PROPERLY CONNECTED