

THE KID**MIDNITE MPPT CHARGE CONTROLLERS*****The Kid, a powerful Charge Controller for Solar, Wind or Hydro!
The best deal in town!***

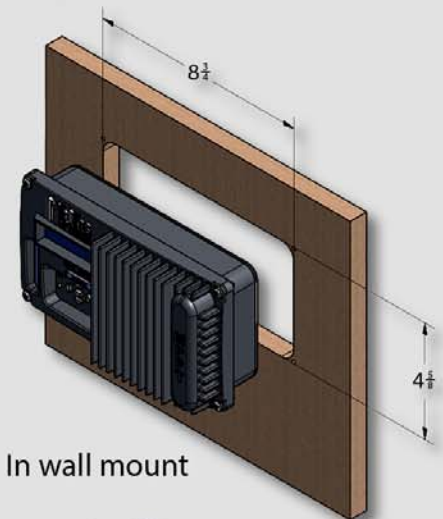
The Kid is the most versatile medium sized charge controller on the market. Ideal for small RE-systems. As the need for power grows, throw on another Kid for twice the power from a single PV array, wind turbine or hydro. This is the only medium sized listed controller in the country that meets all the requirements of NEC 2011.

PRODUCT FEATURES

- Solar, Wind or Hydro modes
- MPPT Tracking
- True paralleling - Inputs and Outputs
- Up to 120V input
- MidNite's exclusive HyperVOC extends the input voltage beyond 120 VOC for cold climates
- 12V, 24V, 36V, 48V battery output
- Load/Clipper function user selectable. Clipper function is used on wind and hydro and requires an additional load
- 30 Amps out
- No fan
- Reverse polarity protected
- Battery Temp Sensor included
- Front panel exchangeable fuses for battery, input and load/clipper
- 3 LED bar graph for battery status at a glance
- Keypad for access to extensive menu items and set points
- Includes wall mount adapter (Optional boat mount bracket available)
- Built in Arlington, WA USA



View with wall mount



In wall mount



Optional boat bracket

The Kid allows two 72 cell modules in series to charge a 48V battery bank or three 60 cell modules in series in warmer climates (45°F and above). The Kid's HyperVOC feature allows up to 168VOC but stops charging at 120V.

THE KID**MIDNITE MPPT CHARGE CONTROLLERS****PRODUCT SPECIFICATIONS**

Nominal Battery Voltage	12 through 48V
Maximum Output Current	30A
PV Open Circuit Voltage VOC	120VDC + battery voltage NOTE: VOC + max battery voltage up to 48V
HyperVOC (See page bottom)	Extended VOC range for cold climates
Charging Regulation	Bulk, Absorb, Float as well as Equalization
Voltage Regulation Set Points	10 TO 64V
Equalization Charging	Adjustable Voltage and Duration, Manual or Auto
Battery Temp Compensation	Automatic when BTS is installed, Adjustable mv per degree C per 2 volt cell
Programmable Auxiliary Control Output	1 - I/O communication with Wizbang Jr.
Status Display	LCD plus status LED
Networking Cabling	Standard 4 conductor phone cable, no hub needed
Communications	RS232 openly published protocols
Load Terminal	20A configurable as battery load or wind clipper
Solar, Wind And Hydro Applications	Standard
Operating Temperature	Min. of -40C to 50C - Controller will auto derate as temperature rises above 25C
Environmental Rating	Indoor IP64 type 1
Conduit knock Outs	2
Warranty	5 Year
Weight	6 Lbs.
Dimensions	9 1/4"L x 5"H x 3 5/16"W (23.5CM x 12.7CM x 8.4CM)
Shipping Dimensions	12"L x 8"H x 6"W (30.48CM x 20.32CM x 15.24CM)
Options	3ft. network cable, external load, boat mount bracket
Certifications	ETL for US & Canada, CE Certified, FCC Class B
True Paralleling	Inputs and Outputs between 2 units with smart active current

HyperVOC: A non-operative VOC safety zone over and above the maximum input voltage for cold climates.

